

System

Product Code: L-SY100 SER / USB

Description: PC Access Control

WAVETREND used its in-house developed active wireless identification technology platform for the development of a unique logical PC access control system which provides personalised access for users authorised to use a particular computer.

How does the PC Access Control System work?

The Active Identification Tag transmits a unique code at constant intervals. The reader (plugged into the serial or USB port of the computer) then reports the presence of all tags in the environment to the control computer. Because each Tag has a unique code, the software can be configured to recognise specific codes. While the unique code is being read from an authorised tag, access to the computer is available. As soon as that unique tag is not present, the access control screensaver activates, hiding the information on the screen and restricting unauthorised access. As soon as the tag is present again, the screensaver disappears automatically and the computer is available for use in the same application as before the protection intervention.

The system can be configured for multiple users on a single PC.



Unique features and benefits

- Identification Tag battery life – 5* years
- Up to 32 Users and Administrator access on a single machine
- Easy software installation procedure
- Benefits from active RF technology giving an extended operating range in comparison with other technologies
- Individual configuration of screen saver time-out period to suit environmental requirements of the user
- Compatible with Windows® 95, 98, Windows® NT 4.0 (serial only), Windows® Millennium Edition, Windows® 2000 Professional and Windows® XP, XP Professional.
- The necessity of tag and reader to be present at the same time in the environment of the PC, is an effective deterrent against unauthorised access – the PC is immobilised as a first line precaution against PC and data theft
- Enhances privacy, as access can be limited to specific users
- Eliminates the need for physical entering of screensaver passwords

- Cost effective solution for PC access control
- Ensures that PC access is restricted to a pre-defined location by taking advantage of the location tag feature (option)
- Time and Attendance reporting can be done by using the log file created by the system
- Two configuration levels are available– Single user and Multiple user where up to 32 users can be registered on the same computer.
- Long and short range setting on the L-RX400, allowing the user to set the read range for optimal use in all environments.

Applications:

- Automatic access control for authorised PC users preventing access to the computer and the data on the computer
- Creating a secure environment for confidential work on the computer, as only authorised users can gain access by using the user access tag
- The PC access control system provides a gateway for developing and implementing high level security internet applications, e.g. B2B transactions
- Provides the delivery platform for specialised encryption techniques

Specification:

General note

The PC Access control system comprises the L-TG501 tag, the L-RX300 or the L-RX400 (1.5m USB Cable) reader and the appropriate application software.

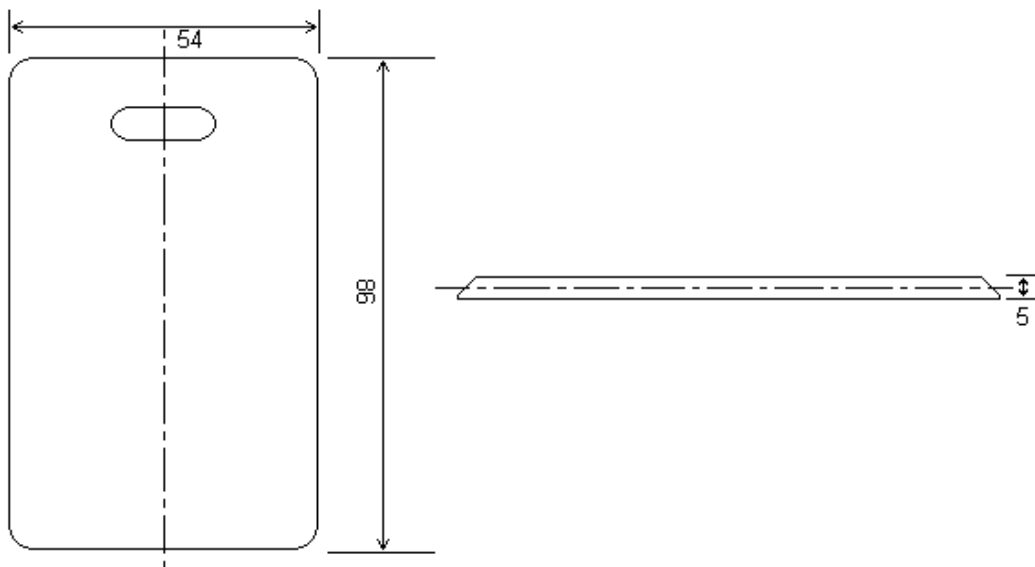
Environmental

Tag (L-TG501)

Operational temperature	-10° C to + 60° C
Storage temperature	-20° C to + 70° C
Humidity	5% to 90% (non condensing)

Physical

Size (Tag)	86mm x 54mm x 5mm
Colour	Dark Grey (Clariant 04-600 2%)
Type of material (enclosures)	Fire resistant ABS (Ultrasonically sealed)



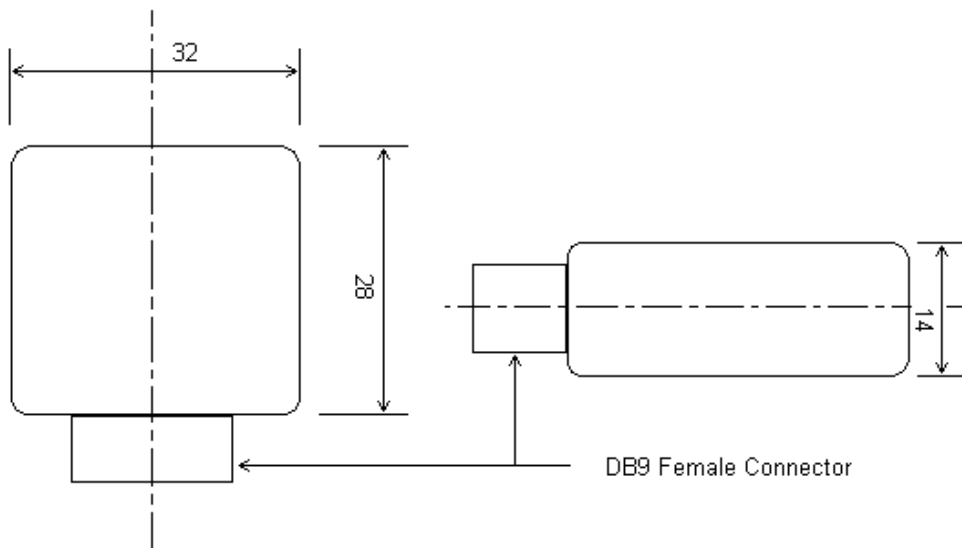
*Depends on the factory set transmission repetitive rate of the tag. This calculation is based on a standard tag set to transmit at approximately every 1.5 seconds.

Serial Reader (L-RX300)

Operational temperature	-10° C to + 60° C
Storage temperature	-20° C to + 70° C
Humidity	5% to 90% (non condensing)

Physical

Size	28mm x 32mm x 14mm
Colour	Dark Grey (Clariant 04-600 2%)
Type of material (enclosures)	Fire resistant ABS (Clip)

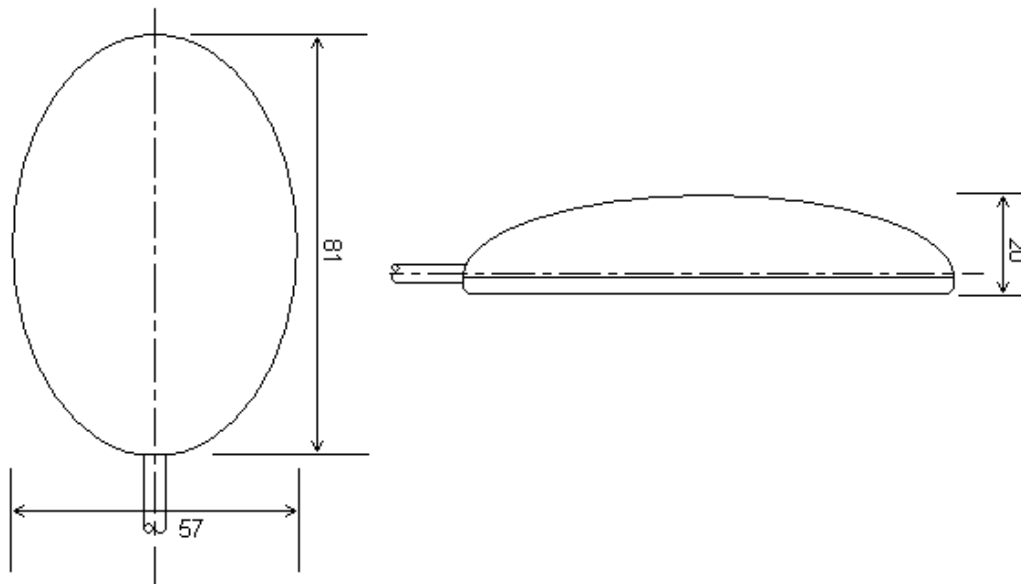


USB Reader (L-RX400)

Operational temperature	-10° C to + 60° C
Storage temperature	-20° C to + 70° C
Humidity	5% to 90% (non condensing)

Physical

Size	81mm x 57mm x 20mm
Colour	Ice Blue (Clariant 04-600 1%)
Type of material (enclosures)	Fire resistant ABS (Screw Close)



Wavetrend (Pty) Ltd.
Wavetrend House
Hammets Crossing Office Park
Selbourne Rd
Fourways
Johannesburg
South Africa
Tel +27(11)462-2633
Fax +27(11)462-6316



Wavetrend Inc.
13912 NE 31st Place
Bellevue
USA

Tel +1-206-949-6394

sales@wavetrend.net

Wavetrend UK Ltd.
1st Floor, 7 Mallard Court,
Mallard Way, Crewe Business Park, Crewe,
Cheshire
England
CW1 6ZQ

Tel +44-1270-214-433
Fax +44-1270-214-420

