



## Concept

IP-based multi-application security panel integrating:

- Access Control
- Intruder Detection
- Technical Control
- Bank Security

Total and modular security solution for single and multi-site organizations.

## Features

- Full integration of intruder detection and access control within the same control panel
- Interconnection: link several FOXnet panels through your IP-network and build any size of installation.
- Very user-friendly configuration through FCU (FOXnet® Configuration Utility). See FCU product sheet.
- Integration with FOXeye - digital video recorder and transmitter.
- Bi-directional communication to VSK-win over TCP/IP, ISDN, PSTN.
- Primary and secondary (=back-up) communication.
- Very flexible wiring principles : choice between bus, star or combination of both
- Full integration of bank security application with bank safe, interlock and ATM access management.
- Powerful alarm and access control features
- Full management of FOXnet® and FOXeye® panels through VSKwin® software package. See VSKwin® documentation.

Single & Multi-site

Multi Application

TCP/IP

Modular



## Multi application panel for intruder detection and access control



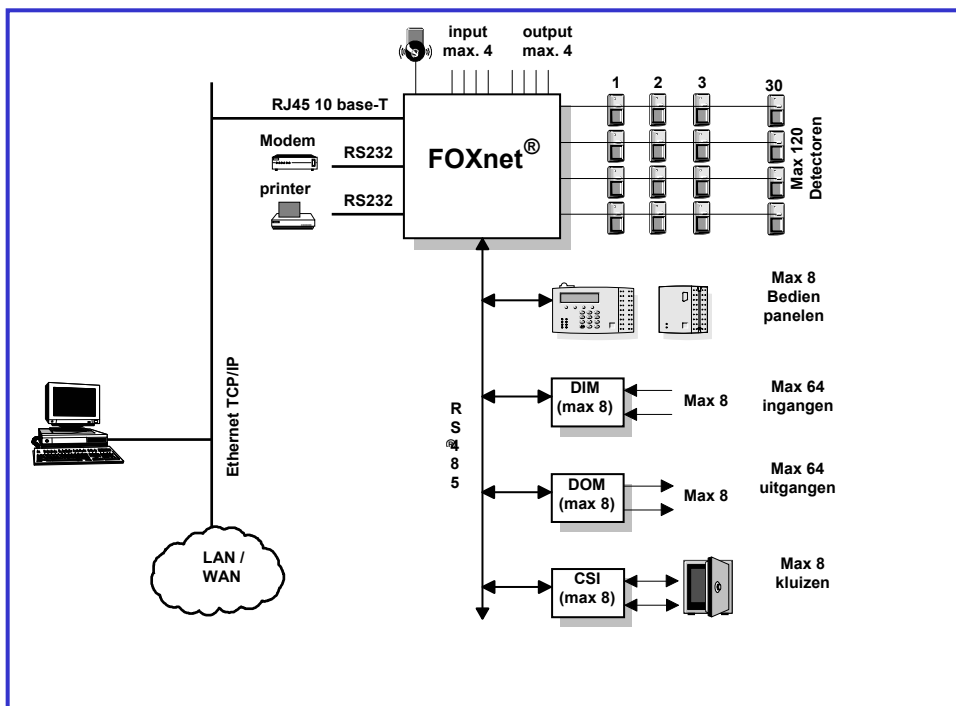
### FOXnet, your security building block

- The ideal solution for single- and multi-site solutions
- FOXnet® panels communicate ultra fast over existing IP networks.
- FOXnet® panels are modular, flexible and future oriented.
- FOXnet®, together with FOXeye® and VSKwin® suit all your company's security needs in a very cost-effective way

THE VISION IN   
Security



# Architecture and communication



## Technical Specifications

### Intruder detection:

- Up to 120 detection points per FOXnet® panel.
- Up to 32 zones per panel with possibility to create common zones.
- Taking over of detectors and wiring of existing installations without need to change resistances in detectors.

### Access Control:

- Up to 30.000 badges, 8 doors
- Advanced features including Anti-pass back, interlock and interaction with Intruder Detection.
- Support for different types of card readers
- Programmable logical functions

### Interconnection:

- Up to 8 FOXnet® panels can be interconnected over an IP network, behaving as 1 system.

### Scale your system:

- from 1 to 960 detection points
- from 1 to 64 doors
- from 1 to 64 safes
- from 1 to 512 inputs and outputs

## General

- Configuration through free FOXnet® Configuration Utility (Windows Based Software)
- External communications through native IP, ISDN or PSTN.
- Perfect integration with FOXeye® digital video recorder and transmitter over IP network for alarm verification, access control verification and triggered alarm recording.
- Up to 10000 FOXnet® panels can communicate with VSKwin management software.
- Primary and back-up encrypted communication
- Advanced bank security features for bank safe management, interlock, ATM access, auto-test procedures
- Watch-Dog function permanently checking panels and their interconnection.
- Power Supply : 220 VAC – 60 W



## VSK electronics N.V.

Venetiëlaan 39  
B-8530 HARELBEKE  
BELGIË  
Tel. +32 56 241951 / Fax +32 56 200529  
[www.vsk.be](http://www.vsk.be)