



SD8121-SS

Speed Dome Network Camera

12x Zoom • Day & Night • 3D Noise Reduction • WDR

VIVOTEK SD8121-SS, equipped with a 12x optical zoom lens, is a high performance day/night speed dome network camera geared for professional surveillance applications, representing another significant addition to VIVOTEK's high-end H.264 network camera portfolio.

Adopting a 12x optical zoom lens and utilizing SONY's EXView CCD sensor, this network camera allows for not only close-up images with exceptional detail from a faraway distances, but also crystal-clear, razor-sharp video of fast-moving objects without jagged edges. With a sophisticated pan/tilt mechanism, it provides fast, precise movement with endless 360-degree pan and 90-degree tilt. The user can easily control the lens position via mouse or joystick to track the object of interest and set up to 128 preset positions for patrolling.

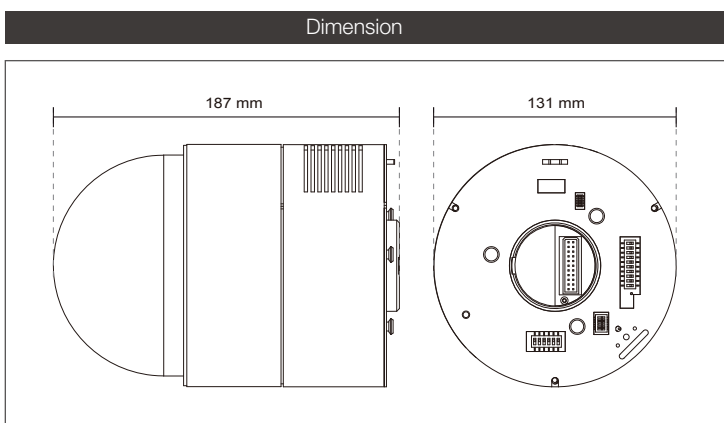
Boasting with Wide Dynamic Range technology, SD8121-SS can cope with any challenging lighting conditions and generate image quality closer to the capabilities of the human eye. The day and night functionality also makes the SD8121-SS ideal for operating under diverse lighting conditions. When lighting conditions turn poor, the IR-cut filter will automatically disengage to accept IR illumination and improve image quality. With the new 2D & 3D noise reduction technology, environmental noise is removed to provide crystal clear nighttime video and the camera automatically switches from color to black and white, assuring optimal image quality at all times. Additional advanced features, including 3GPP mobile surveillance, two-way audio, and digital I/O for external sensors & alarms, make the VIVOTEK SD8121-SS a full-featured speed dome and a suitable solution for all levels of enterprise projects such as airports, parking lots, and shopping malls, where high-level reliability and precision are an absolute must.

Features

- > SONY EXview HAD CCD Sensor in D1 Resolution
- > 12x Zoom Lens
- > 360° Continuous Pan and 190° Tilt
- > Removable IR-cut Filter for Day & Night Functionality
- > Real-time H.264, MPEG-4, and MJPEG Compression (Triple Codec)
- > 3D Noise Reduction for Clear Nighttime Images
- > WDR Enhancement for Unparalleled Visibility in Extremely Bright or Dark Environments

System	<ul style="list-style-type: none"> · CPU: TI DM365 SoC · Flash: 128MB · RAM: 128 MB · Embedded OS: Linux 2.4
Pan/Tilt/Zoom	<ul style="list-style-type: none"> · Pan range: 360° continuous rotation · Tilt range: -10° ~ 190° flip · 12x optical zoom · Pan speed: 0.1° ~ 300°/sec · Tilt speed: 0.1° ~ 120°/sec · Auto pan mode · Auto patrol mode
Lens	<ul style="list-style-type: none"> · 12x optical zoom lens, f = 3.8 ~ 45.6 mm, F1.6 (wide), F2.8 (tele), auto-iris, focus range: 20 mm (wide), 3,000 mm (tele) to infinity · Removable IR-cut filter for day & night function
Angle of View	· 1.7° ~ 55.8° (Horizontal)
Shutter Time	· 1/1.5 sec. to 1/30,000 sec.
Image Sensor	· SONY 1/4" EXview HAD CCD sensor in D1 resolution
Minimum Illumination	<ul style="list-style-type: none"> · 0.1 Lux / F1.6 (Color) · 0.01 Lux / F1.6 (B/W)
Video	<ul style="list-style-type: none"> · Compression: H.264, MJPEG & MPEG-4 · Streaming: Multiple simultaneous streams · H.264 streaming over UDP, TCP, HTTP or HTTPS · MPEG-4 streaming over UDP, TCP, HTTP or HTTPS · H.264/MPEG-4 multicast streaming · MJPEG streaming over HTTP or HTTPS · Supports activity adaptive streaming for dynamic frame rate control · Supports 3GPP mobile surveillance · Frame Rates: <ul style="list-style-type: none"> MPEG-4: Up to 30/25 fps at 720 x 576 H.264: Up to 30/25 fps at 720 x 576 MJPEG: Up to 30/25 fps at 720 x 576
Image Settings	<ul style="list-style-type: none"> · Adjustable image size, quality, and bit rate · Time stamp and text caption overlay · Flip & mirror · Configurable brightness, contrast, saturation, sharpness, white balance, and exposure · AGC, AWB, AES · WDR enhanced · Automatic, manual, or scheduled day/night mode · BLC (Backlight Compensation) · Supports privacy masks
Audio	<ul style="list-style-type: none"> · Compression: <ul style="list-style-type: none"> GSM-AMR speech encoding, bit rate: 4.75 kbps to 12.2 kbps MPEG-4 AAC audio encoding, bit rate: 16 kbps to 128 kbps G.711 audio encoding, bit rate: 64 kbps, μ-Law, or A-Law mode selectable · Interface: <ul style="list-style-type: none"> External microphone input Audio output · Supports two-way audio · Supports audio mute

Networking	<ul style="list-style-type: none"> · 10/100 Mbps Ethernet, RJ-45 · Onvif support · Protocols: IPv4, IPv6, TCP/IP, HTTP, HTTPS, UPnP, RTSP/ RTP/RTCP, IGMP, SMTP, FTP, DHCP, NTP, DNS, DDNS, PPPoE, CoS, QoS, SNMP, and 802.1X
Alarm and Event Management	<ul style="list-style-type: none"> · Triple-window video motion detection · Four D/I and one D/O for external sensor and alarm · Event notification using HTTP, SMTP, or FTP · Local recording of MP4 file
Security	<ul style="list-style-type: none"> · Multi-level user access with password protection · IP address filtering · HTTPS encrypted data transmission · 802.1X port-based authentication for network protection
Users	· Live viewing for up to 10 clients
Weight	· Net: 1,500 g
Power	<ul style="list-style-type: none"> · 12V DC · Power consumption: Max. 11.4 W
Approvals	· CE, LVD, FCC, VCCI, C-Tick
Operating Environments	<ul style="list-style-type: none"> · Temperature: 0°C ~ 40°C (32°F ~ 104°F) · Humidity: 90% RH
Viewing System Requirements	<ul style="list-style-type: none"> · OS: Microsoft Windows 7/Vista/XP/2000 · Browser: Mozilla Firefox, Internet Explorer 7.x, or above · Cell phone: 3GPP player · Real Player: 10.5 or above · Quick Time: 6.5 or above
Installation, Management, and Maintenance	<ul style="list-style-type: none"> · Installation Wizard 2 · 32-CH ST7501 recording software · Supports firmware upgrade
Applications	· SDK available for application development and system integration
Warranty	· 24 months
Dimension	<ul style="list-style-type: none"> · Camera: \varnothing 131 mm x 187 mm · Cable length: 680 mm · Cable diameter: \varnothing 8 mm; Max width: \varnothing 13.5 mm



All specifications are subject to change without notice. Copyright © 2012 VIVOTEK INC. All rights reserved. P/N:

Distributed by:



VIVOTEK INC.
6F, No.192, Lien-Cheng Rd., Chung-Ho, New Taipei City, 235, Taiwan, R.O.C.
| T: +886-2-82455282 | F: +886-2-82455532 | E: sales@vivotek.com



VIVOTEK USA, INC.
2050 Ringwood Avenue, San Jose, CA 95131
| T: 408-773-8686 | F: 408-773-8298 | E: salesusa@vivotek.com