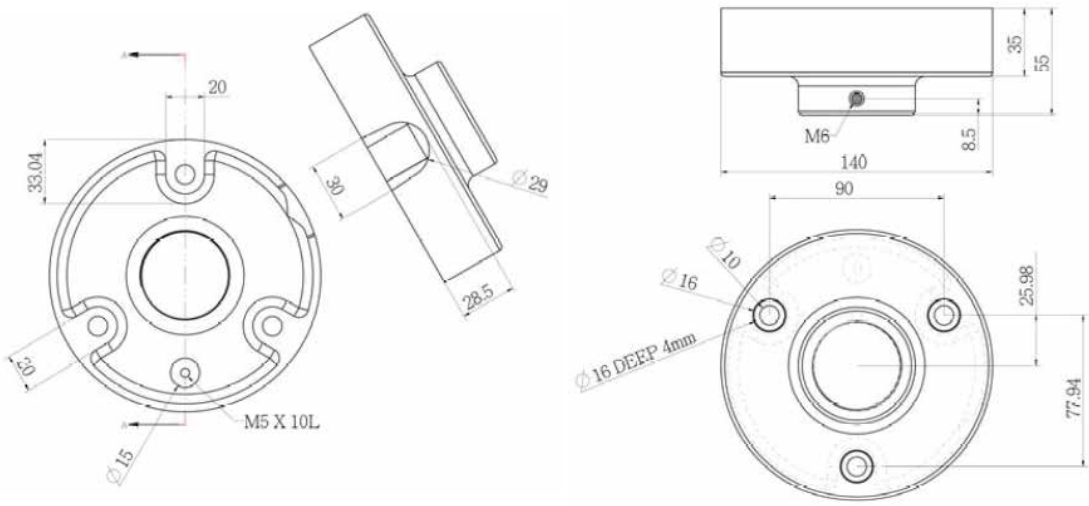




# AM-118

Pendant Mount

## Technical Specifications

Model:	AM-118
Material	Aluminum Alloy
Box Dimension	Length: 174 Width: 163 Height: 74 (mm)
Color	White
Weight	595 g
Drawing	 <p>The drawing includes the following dimensions and features:</p> <ul style="list-style-type: none"> <li><b>Top View:</b> Shows a circular base with a central hole. Dimensions include a diameter of 33.04 mm, a distance of 20 mm from the center to the top edge, and a diameter of 15 mm for the mounting holes. A note indicates 'M5 X 10L' for the mounting holes.</li> <li><b>Side View:</b> Shows the profile of the component with a total height of 55 mm and a top flange thickness of 35 mm. A diameter of 28 mm is shown for the side flange.</li> <li><b>Front View:</b> Shows the component with a diameter of 140 mm and a height of 90 mm. It features an M6 threaded hole with a depth of 8.5 mm. The mounting holes have a diameter of 16 mm and a depth of 4 mm.</li> </ul>

P/N No.: 900014600G