

### Rugged, All-Weather IP68 PTZ camera

The VRP370WD RoboPTZ Pan/Tilt/Zoom camera is designed to provide the clearest video under any circumstances. It features high-speed movement and viewing angles unmatched by ANY dome solution!

The clean-sheet design eschews conventional Dome architecture, with a dual-stage tilt axis mechanism. The main Camera body will tilt to nearly 270°, and the Sensor module provides additional manual tilt for an effective range of ~320°!

The Camera enclosure is Vandal resistant and IP68 rated for inclement weather. And if it rains, the integrated Wiper can sweep across the lens portal to keep it clean. The compact aerodynamic design combined with Digital Image stabilization provides stable views even in high winds.

Rounding out this exceptional Day/Night camera is a 37x Optical Zoom, WDR, low light sensitivity and 2 forms of Digital Noise Reduction.

Regardless of Rain, High winds or extreme temperatures, the RoboPTZ is the best solution for all-direction, all-weather surveillance.



**Regular Dome**  
180°

**Regular PTZ**  
270°

**RoboPTZ**  
Tilt 205°  
Pan 360°  
Tilt 90°

Dome style PTZ's are limited to 180° tilt. A Zoom Camera on a conventional Pan/tilt can have up to 270° tilt. With the Dual-Axis tilt design, the RoboPTZ can tilt an unprecedented 320°! This exceptional positioning range makes it perfect for Pole mounting, where the camera can see nearly underneath. It is also well-suited to mounting atop a fenced corner, where you can get unobstructed views along the ground perimeter, as well as tall buildings or adjacent elevated walkways.

**Regular PTZ**

**RoboPTZ w/ 3DNR**

An extremely light sensitive CCD is combined with dual format DNR to produce clear images under low ambient light conditions. Noise and Ghost effects are markedly reduced and help minimize storage requirements of DVR's.

The integrated Wiper cleans away dirt and moisture, at a touch of a button! The built-in Heater and fan activates during temperature extremes to extend the lifetime of sensitive components.



### Features

- 1/4" Sony Double Scan CCD
- Optical 37x Zoom lens
- 360° Pan, 320° Effective Tilt at 200°/second
- Digital Image Stabilizer
- High resolution 550TVL color, 680TVL B&W
- 0.0001 lux Minimum Illumination (Sens-up)
- 128x Wide Dynamic Range
- BLC and Highlight Compensation
- SSNR and 3DNR noise reduction
- True Day/Night with IR Cut Filter
- Integrated Heater/Blower for -40F operation
- Wiper w/ anti-abrasion soft silicon rubber
- Hydrophobic surface coated glass
- IP68 rated, Anti-corrosion finish
- 8 Zone Privacy Masking
- Inverted Mounting option

# VRP370WD SPECIFICATIONS

## Video

CCD Sensor	1/4" Sony Double Scan CCD
Effective Pixels	811 x 508 (NTSC)
Horizontal Resolution	550 TVL Color, 680 TVL B&W
Auto Iris Type	DC iris
Lens	3.5-129.5mm Optical Zoom @ f1.6
Focus System	Automatic
S/N Ratio	More than 50dB (AGC off)
Minimum Illumination	0.0001 lux @ f1.6
Day/Night	True Day/Night w/ mechanical IR Cut Filter
Pan/Tilt	Pan: 360°; Tilt: 25°-205°; all at 200°/second

## OSD/DSP

Digital Zoom	Off / 2x / 4x / 8x / 10x, 12x
Day & Night	Color / B/W / Auto (ICR)
BLC	WDR / BLC / HLC / OFF
Shutter Speed	Auto / Manual (NTSC: 1/60-1/120,000)
White Balance	AWC / Manual / ATW (1,800°K-10,500°K)
Video Gain Control	Low / Middle / High / Off
Sens-Up	On / Off (2x-256x)
SSNR	Low / Middle / High / Off
Privacy	On / Off (8 programmable zones)
Presets & Patterns	64 programmable presets, 2 Patterns
Auto Digital Flip	On / Off
Focus Control	Auto / Manual / One push
Wiper	Auto / Push / Run
Motion Detection	On / Off (Can trigger Alarm output)
Digital Image Stabilizer	Yes

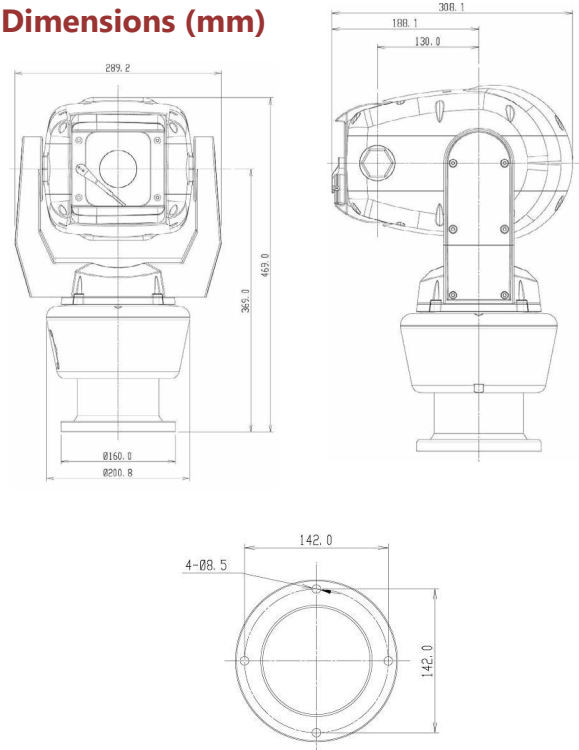
## Connectors/Switches/Mechanical

Main Video Output	BNC x 1, 1.0Vpp, 75 ohm, composite video
Alarm Input	3 (Option)
Alarm Output	1 (Option)
RS485	Pelco P/D & other protocols
Wiper	Motor driven Lens Wiper with anti-abrasion soft silicon rubber
Lens Glass	Hydrophobic surface coated glass

## Other

Enclosure Composition	Die-cast Aluminum
Finish Process	Sus Ball shot polishing & Anodizing
Paint	Powder Coat
Environmental Rating	IP68
Power Requirements	24VAC 60W max with Heater/Blower on (24VDC option available)
Operating Temperature	-40°F ~ 122°F (-40°C ~ 50°C)
Dimensions	7.9" x 18.5" (200mm x 469mm) Diameter x Height
Weight	29.7 lbs (13.5 Kg)

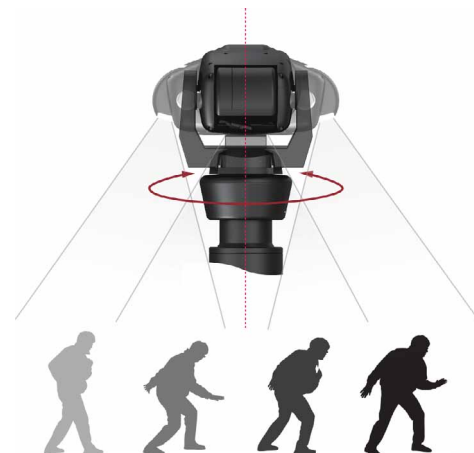
## Dimensions (mm)



## VRP370WD Series Matrix

Model	Description
VRP370WD-B	Black Finish, 24VAC
VRP370WD-W	White Finish, 24VAC
VRP370WD-BDC	Black Finish, 24VDC
VRP370WD-WDC	White Finish, 24VDC

Note: This model is only available in NTSC in North, South and Central Americas. For availability outside this territory, please inquire with VHT Americas.



Design and specifications are subject to change without notice.

© 2010 Visionhitech Americas Inc. PH: 949-660-1412 • FAX: 949-660-1185 • info@vhtamericas.com