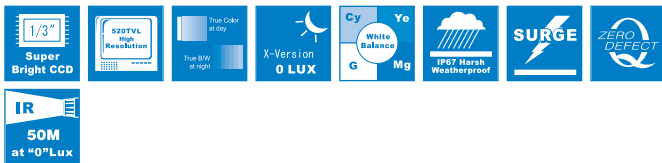


## Product Information

VN80SS is a camera specially designed for the professional Day/Night surveillance. At daytime, the camera features a 520TVL Color image and at nighttime, the image is converted into real B/W mode (Color signal removed) resulting in the resolution and sensitivity greatly enhanced. The camera incorporates an Intelligent CDS sensor and mechanical day/night dual filter system so that the filter is accurately switched on and off with the image changed from Color to B/W or B/W to Color mode at 5 lux darkness. IR effective distance reaches 50 meters. Specially designed power circuit enables the camera to be operated from DC19V to DC35V maximizing the reliability of the unit from power fluctuations. This wide tolerance accepts most of unstable power supplies without failure before or after installation. It accepts either DC24V or AC24V power supply unit with no polarity input.



## Key Features

- Powerful night sensitivity
- Intelligent IR Compensation
- Extended IR LEDs' life cycle and the sensitivity
- IR Sensitive mechanical Day/Night filter system built-in
- True Color at Day and Real B/W at Night conversion
- High resolution of 520 TVL at Day/560 TVL at Night
- DC24V or AC24V Non-polarity power input
- IP67 Weatherproof
- Cable concealed thru bracket
- Installation with existing telephone cable up to 100M long
- External Focus Adjustment

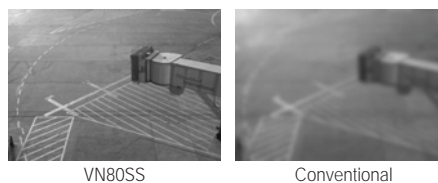
## True Day & Night

The mode of image is instantly changed from Color at daytime to BW at nighttime at 5 lux darkness automatically. Combined with dual filter system built-in, this performance makes the camera produce a perfectly true color at day and a noiseless true BW image at night.



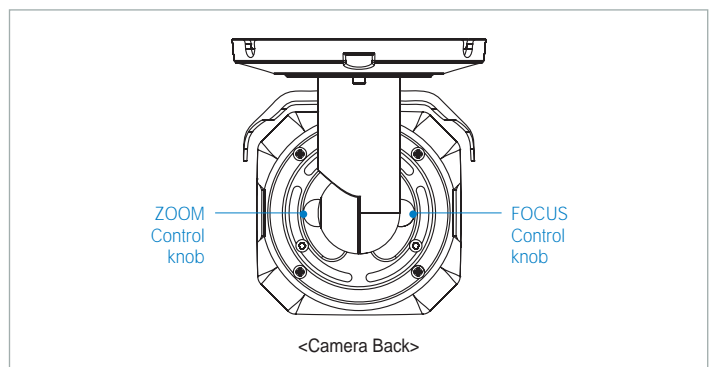
## Self focus compensation technology

The unit incorporates a self focus adjustment technology that precisely corrects the focus shift when IR illumination is activated at night. Smart capability of focusing at both day and night enables the camera to have an extreme resolution of over 520TVL(Day) and 560TVL(Night)



## External Zoom Focus Adjustment

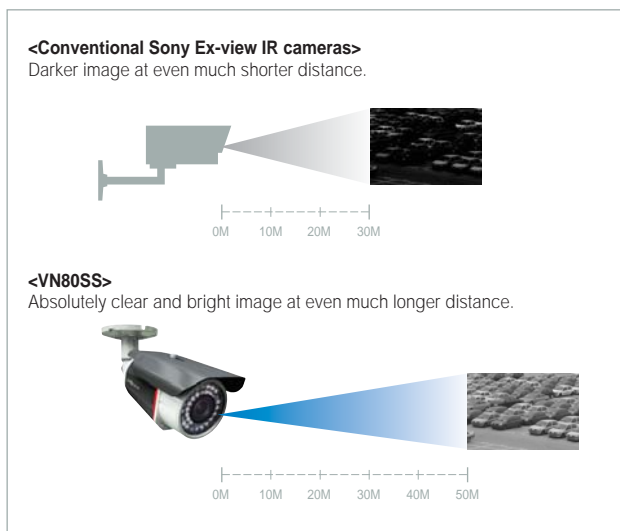
Moisture condensation and bad workmanship sometimes occur in the course of opening the housing to adjust focus. Our advanced external adjustment mechanism makes no reason to open the case and guarantees no possibility of condensation.



# VN80SS | Super Night Vision Outdoor camera

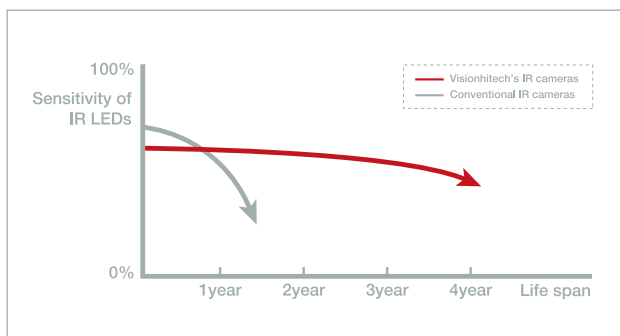
## Powerful night sensitivity

This new night vision camera features an absolutely POWERFUL night vision performance capturing a clear and very bright image at pitch black '0' Lux darkness for at least 70 meter long distance. Used with an unique Visionhitech's IR Enhance technology, VN80SS can see a clear image at least 2 times longer distance compared with conventional high quality Sony Ex-view cameras.



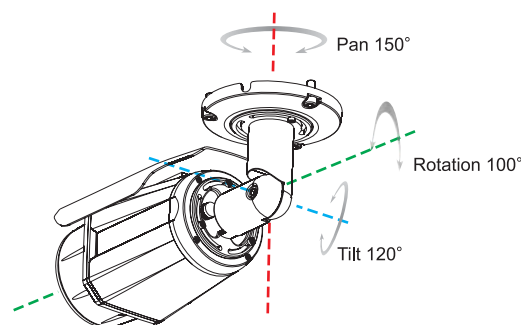
## Extended IR LEDs' life cycle and the sensitivity

The VN80SS adapts the Visionhitech's special IR life protection technology that extends the life cycle of IR LEDs at its maximum period of life span. Conventional IR cameras tend to produce a bright IR image at the beginning but the LEDs' performance is reduced day by day and finally burned to dead in short time period after the installation. Consequently the night vision performance of conventional cameras is seriously reduced within after several months of operation.



MODEL	VN80SS
Image sensor	1/3" Super Sensitive CCD
Effective Pixels	NTSC : 768(H) x 494(V) PAL : 752(H) x 582(V)
H.Resolution	NTSC : 520 TV Lines (at Day) / 560 TV Lines (at Night) PAL : 510 TV Lines (at Day) / 550 TV Lines (at Night)
Synchronizing system	Internal or Linelock
Scanning system	NTSC 525 Lines PAL 625 Lines 2:1 Interlaced
Video output	1.0Vp-p Composite. 75 Ohms
S/N ratio	More than 50 dB (AGC Off)
Min. Illumination	0.01 Lux at F1.6 (IR Off)
Back Light Compensation	AUTO
Shutter Speed	NTSC:1/60~1/100,000 sec PAL: 1/50 ~ 1/100,000 sec
Gamma correction	Standard $\gamma=0.45$
White Balance	2100°K ~ 9100°K Auto
Gain Control	Standard: -6dB ~ 42dB Auto
Smear Effect	0.005%
Power source	DC24V or Dual (DC24V / AC24V)
Operating current	120mA at 24VDC (IR "off" Day) 550mA at 24VDC (IR "on" Night)
Lens	4-9mm or 9-22mm
IR Spectrum	850nm-Ø10 x 30° x 20ea
Viewable distance	Up to 50M at moonless night
MTBF of IR	20,000 hours
Iris Control	DC IRIS
Operating Temperature	14° F ~ 122° F (-10° C ~ +50° C)
Humidity	Within 90% RH
Measurement (mm)	112(W) X 121(V) X 287(L)
Weight (Approx.g)	900

## Perfect 3-Axis



## Dimension

