

VN7XLP

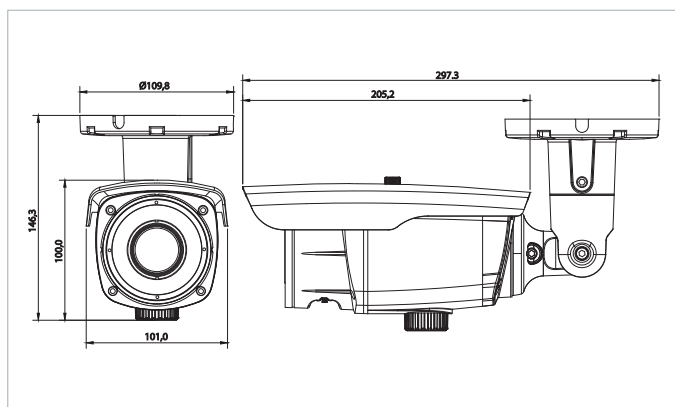
True Day/Night License Plate Capture Camera



Key Features

- Capture plates from Vehicles moving up to 50Km
- 5–50mm lens delivers image from 20m capture
- Automatic Shutter Speed Control of 1/1600 sec. or 1/5000 sec. by Color mode and B/W mode
- True Day/Night
- Cable managed bracket
- Operating temperature ranged of $-40^{\circ}\text{C} \sim +50^{\circ}\text{C}$
- IP 67 Weatherproof
- 12VDC/24VAC

Dimension



MODEL	VN7XLP
Image sensor	1/3" Sony Super HAD CCD II
Effective Pixels	NTSC : 768(H) x 494(V) PAL : 752(H) x 582(V)
H. Resolution	NTSC : 560TVL(D)/ 600TVL(N) PAL : 580TVL(D)/620TVL(N)
Synchronizing system	Internal
Scanning system	NTSC : 525 Lines PAL : 625 Lines 2:1 Interlaced
Video output	1.0Vp-p Composite 75 Ohms
S/N ratio	More than 52dB (AGC Off)
Min. Illumination	0 Lux
Shutter speed	1/1600 sec. or 1/5000 sec.
Gamma correction	Standard $\gamma = 0.45$
White Balance	ATW(2,000°K ~ 10,000°K)
Gain control	Standard : $-6\text{dB} \sim 34\text{dB}$ Auto
Smear effect	0.005%
Power source	12VDC/24VAC
Operating current	12VDC : 180mA(IR off), 520mA(IR on) 24VAC : 90mA(IR off), 260mA(IR on)
Lens	5~50mm Varifocal DC Auto Iris lens
Viewable distance	20m at Moonless Night
MTBF of IR	20,000 hours
Iris control	DC Auto
Operating temp./ Humidity	$-40^{\circ}\text{C} \sim +50^{\circ}\text{C}/$ 0%RH ~ 80%RH
Measurement(mm)	109.8(V) x 146.3(H) x 297.3(D)
Weight(Approx.g)	1,800