

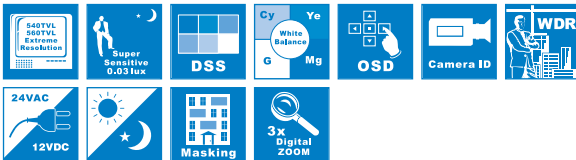
VDS120D15-VFA Wide Dynamic Ultra Slim Dome camera

Product Information

VDS120D15-VFA powered by Pixim's Ultra Wide Dynamic pixel system provides a number of technical improvements in picture quality for viewing areas of extreme light conditions.

The technical breakthrough, in particular, shows a great challenge to overcome an over-exposure problem against strong back-light situations. As each pixel acts as a camera, a picture taken by a pixel does not affect a picture quality taken by other pixels hence all pictures taken from the whole pixels are absolutely clear in all lighting conditions. Based on this technology, VDS120D15-VFA delivers a very high quality, high resolution and very accurate & detailed color recognition in a variety of light conditions.

VDS120D15-VFA is an Ultra-Slim dome camera containing a lot of user-friendly mechanisms and configurations. It incorporates a perfect and tool-free 3-Axis mount with which the camera can be installed on the wall, on the ceiling or on the slope with no limitation.



Key Features

- 1/3" Pixim WDR digital imaging device
- Easy to use OSD function(RS-485 remote control)
- True Day & Night(ICR)
- High Resolution of 540TVL(Day) / 560TVL(Night)
- Enhanced low light performance up to 0.03 Lux / F1.3(DSS On)
- 12VDC/24VAC Dual power(Non-Polarity)
- Camera ID
- Digital Slow Shutter(DSS)
- Privacy masking

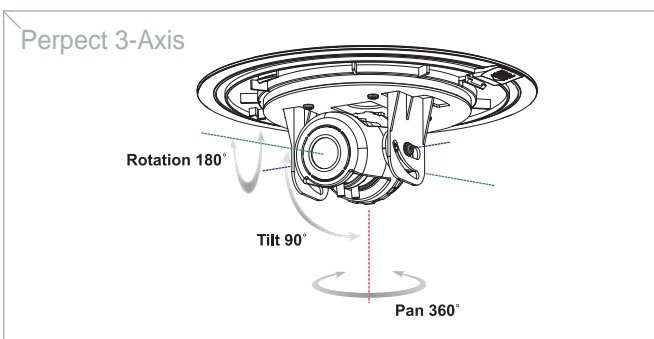
No "camera blindness"



Normal CCD camera

VDS120D15

Ultra wide dynamic technology used for this camera eliminates the vertical smear, pixel blooming, and other image artifacts commonly encountered in high-contrast scenes.



| MODEL | VDS120D15-VFA |
|-----------------------|---|
| Image sensor | 1/3" WDR digital imaging device |
| Signal Processing | 17-bit Digital Signal Processing (max.) |
| Dynamic range | 101dB typical / 120dB max. |
| Video capture | Progressive Scan 50fps / 60fps |
| Sync system | Internal / Line-Look |
| Transfer format | PsF (Progressive with Segmented Frames) |
| Effective Pixels | 720(H) X 540(V) pixel |
| H.Resolution | 540TVL(Day) / 560TVL(Night) |
| Sync system | Internal(12VDC), Line Lock (24VAC) |
| Video output | 1.0 to 1.2 Vp-p composite 75(NTSC/PAL Compatible) |
| S/N ratio | More than 48dB (AGC Off) |
| Min. illumination | 0.3 Lux / F1.4, 0.01Lux(DSS On) |
| Operating current | 200mA at 12VDC, 110mA at 24VAC |
| Lens | 3.3-12mm Varitocal DC Iris / F1.3 |
| Operating Temperature | 14°F ~ 122°F (-10°C ~ +50°C) |
| Humidity | Within 90% RH |
| Output Terminal | 2P(BNC-Video), 2P(T-Block-PWR), 2P(LW-RS485) |
| Power source | 12VDC / (9-20VDV) / 24VAC (10-30VAC)Dual power |
| Measurement | 180(Ø) X 81(H) |
| Weight (Approx.g) | 950 |

OSD Menu (Remote-Control via RS485)

| | |
|-------------------------|--|
| WDR | Auto / Off / Low / Middle / High |
| White Balance | ATW / AWC Manual selectable 2,000°K ~ 11,000°K Auto |
| Gain Control | Off, Low, Middle, High |
| Gamma correction | Auto / Manual |
| Back Light Compensation | Off / On, adjustable Backlight Zone |
| AGC | Off, Low, Middle, High |
| Digital slow shutter | Off / 2x / 4x / 6x / 8x / 16x / 32x |
| Privacy Masking | On / Off (6 Programmable zones) |
| Reversal | NOR / MIR / VER / FLIP |
| Day / Night | Auto / Color / BW |
| Protocol | Pelco-D |

Dimension

