

# VDA110H-IR 3DNR Outdoor IR Dome Camera

3DNR & HSBLC Series HD Series

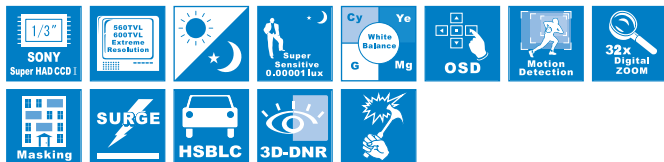
## PRODUCT INFORMATION

VDA110H-IR is an outdoor dome camera containing a lot of user-friendly mechanisms and configurations. It incorporates a perfect and tool-free 3-Axis mount with which the camera can be installed on the wall, on the ceiling or on the slope with no limitation.

This unit realizes 560TVL(Day)/600TVL(Night) High Resolution with 1/3" Sony Super HAD CCD II and color signal removal technology at nighttime. Highly improved image process engine and Sens-up technology detect subject clear in B/W mode and incorporated 21ea IR LEDs enable this unit to be watched up to 30M at total darkness.

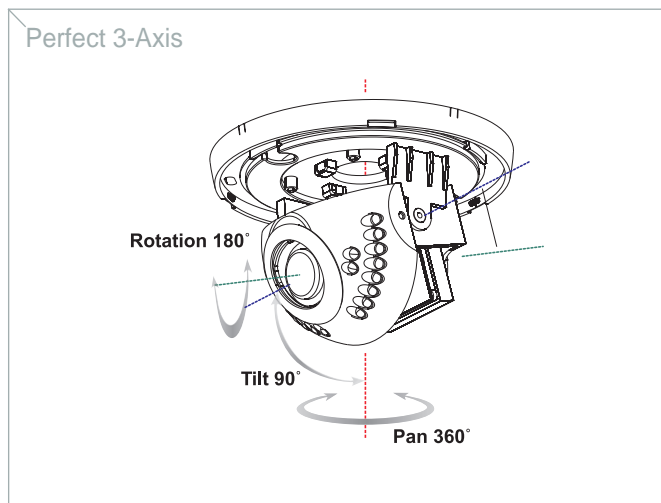
3D adaptive Noise Reduction Filter effectively removes the noises from the image signal under the low light and helps to reproduce a more vivid and clear image. With the built-in HSBLC(Highlight Suppression BLC) technology, the unit can make the selected highlights masked and the dark brightened simultaneously to capture the numbers on the License Plate clearly at nighttime.

OSD function can be controllable by RS-485 communication. IP66 Weatherproof, Tamper resistance and Fire resistance are secured.



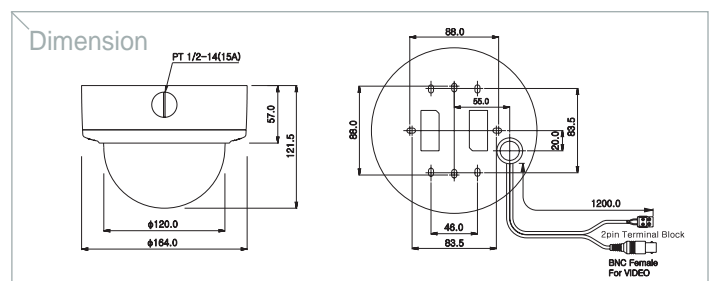
## Key Features

- 1/3" Sony Super HAD CCD II
- 560 TVL at Day / 600 TVL at night
- 30M IR Visible range
- 0.00001 Lux at F1.3 (SENS-UP remarkable low lux performance)
- 3DNR (3D Noise reduction)
- HSBLC (Highlight Suppression BLC)
- Privacy zone (8 zones)
- Motion detection zone (4 zones)
- RS-485 remote control (Pelco-D)
- Multi-lingual OSD menu
- Surge voltage input protection built-in
- 12VDC, 12VDC / 24VAC dual power ( Non-polarity power input )
- Tool-free 3-Axis
- IP66 Weatherproof



MODEL	VDA110H-IR
Image sensor	1/3" Sony Super HAD CCD II
Effective Pixels	NTSC : 768(H) x 494 (V) PAL : 752(H) x 582 (V)
H. Resolution	NTSC : 560TV Lines (Day) / 600 TV Lines (Night) PAL : 550 TV Lines (Day) / 590 TV Lines (Night)
Synchronizing system	Internal
Scanning system	NTSC : 525 Lines PAL : 625 Lines 2:1 Interlaced
Video output	1.0Vp-p Composite. 75 Ohms
S/N ratio	More than 48dB (AGC Off)
Min. illumination	0.00001Lux/F1.3(Sens-up), 0.2 LUX / F1.3
Shutter Speed	NTSC : 1/60~1/100,000 sec. PAL : 1/50 ~ 1/100,000 sec.
Gamma correction	Standard $\gamma = 0.45$ (OSD)
White Balance	2,000°K ~ 20,000°K Auto
Gain Control	Standard : 6dB ~ 40dB, Off / Low / Middle / High
Smear Effect	0.005%
IR LED	850nm $\varnothing 5 \times 30^\circ \times 21$ ea
IR beam Distance	30M
Power source	12VDC, 12VDC / 24VAC Dual Power
Operating current	400mA / 12VDC, 180mA / 24VAC
Iris Control	DC / MANUAL
Lens	3.3~12mm Varifocal DC Iris Lens / F1.3
Operating Temperature	14°F ~ 122°F (-10°C ~ +50°C)
Humidity	Within 90% RH
Measurement (mm)	164( $\varnothing$ ) X 121.5(H)
Weight (Approx.g)	2,000

OSD Menu	
White Balance	ATW / PUSH / MANUAL / AWC
Sens-up	x2 ~ x128
Privacy Masking	Off / On (8 programmable zones)
Motion Detection	Off / On (4 zones)
Digital zoom	Off / On (x1 ~ x32)
3DNR	Off / On



Analog camera

IP camera

DVR

Accessories