

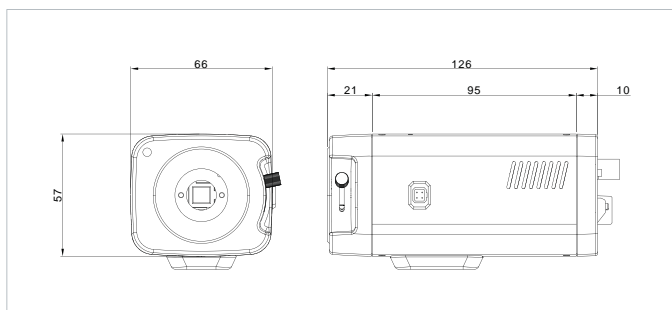
VC58SM3Ti-ICR

3MP True Day/Night Box Camera



Features

- 3.0MP 1/2.8" Sony progressive scan CMOS image sensor
- Dual Streaming of H,264 and M-JPEG
- H,264 : 20fps/ 2048x1536, M-JPEEC : 20fps/ QVGA
- H,264 : 30fps/ 1920x1080, M-JPEEC : 30fps/ QVGA
- Integrated motion detection with pre- and post-alarm image/video buffering
- Event-Triggered FTP and email upload of still images and videos
- Full Duplex Two-Way Audio Support
- External microphone input & speaker output connector
- Digital PTZ
- UPnP supported
- SD card slot, event triggered, scheduled and continuous recording supported
- 1 Port analog video loop-out port
- Supports CBR and VBR modes
- Supports 12VDC/ IEEE 802.3af PoE injectors, mid- and end-spans
- Integrated HTTP Web server supporting 50 simultaneous user connections
- HTTPS supported(Hyper Text Transfer Protocol Secured)
- Integrated E-Mail, FTP, DDNS and DHCP client
- Extensive CGI API for software integration and remote programming operations
- Window based IP installer and license-free 16 CH NVR software



MODEL	VC58SM3Ti-ICR	
Classification	Specification	
General	CPU	32-bit ARM9 RISC CPU up to 432MHz
	Video Buffer	16Mbyte Video Frame Buffer
	Flash	128Mbyte
	SDRAM	128Mbyte
Image Pickup	Image sensor	3.0 Megapixel 1/2.8" SONY progressive scan CMOS image sensor
	Total Pixels	2144(H) x 1588(V) 3.4 Megapixel
	Effective Pixels	2096(H) x 1561(V) 3.27 Megapixel
	S/N Ratio	More than 50dB
	Min. Illumination	1 Lux with DSSX2 (F1.2, 30IRE, AGC On)
	Lens Control	D/N Output Port, ICR
Video	Lens (Not included)	C/CS Mount, DC Iris
	Video compression	H.264 baseline profile, Motion JPEG
	Resolutions	Up to 2048 x 1536
	Frame rate	H.264 Up to 15fps with 2048x1536
		MJPEG Up to 30fps with 1080p resolution
	Video streaming	Support multi stream with H.264, MJPEG
		Adjustable frame rate
	Pan/Tilt/Zoom	VBR/CBR in H.264
		Digital PTZ
		Image setting
Auto White Balance		
Auto Exposure		
Privacy Mask		
Audio	Effect - Color, Sharpness, Mirror/V-Flip, etc.	
	Output	BNC x1, 1.0Vp-p, 75 ohm Composite Video, NTSC/PAL
	Audio streaming	Two-way, full duplex
	Audio compression	G.711
	Sample Rate	8KHZ
	Data Rate	64Kbps
Serial	Audio input	Microphone input /1 x Line-In (Mono)-Option
	Audio output	Line output/ 1 x Line-Out (Mono)-Option
Network	Port1	RS-485
	Data Rate	600bps~ 115200bps
	Security	Security
Supported protocol		HTTP, HTTPS, FTP, SMTP, UPnP, DNS, DynDNS, NTP, RTSP, RTP, TCP, UDP, ICMP, DHCP
System integration	Intelligent video	Motion detection up to 2048x1536 with 32x24 blocks
	Alarm trigger	Motion detection External input/Normal Open/Close Type
	Alarm events	File upload via ftp, e-mail
		Notification via email, FTP and TCP
	Video buffer	16MB pre-alarm and post-alarm
	Recoding	Save to SD/SDHC card with event mode and continuous mode
Firmware upgrade	Remote upgrade via network	
API	API	CGI Interface document ActiveX Interface(ocx(dll) + document)
	Reset Button	1 x Factory Reset Button
Physical	Power Source	DC 12V/1.5A, PoE(Power over Ethernet): 802.3af
	Power Consumption	Max. 5.5W
	Net Weight	580g
	LED's	Power, Network Connection
	Dimension	66mm(W) X 57mm(H) X 126mm(D)
Environment	Operating Temperature	-10 degree~50 degree Celsius (14F~122F)
	Storage Temperature	-20 degree~60 degree Celsius (-4F~140F)
Software	Included Software	NVR Lite (16 Channel), IP Installer (Windows Only)
Package	Package Contents	Network Camera, Use Manual, External Power Adaptor, Software CD