

# VC34S

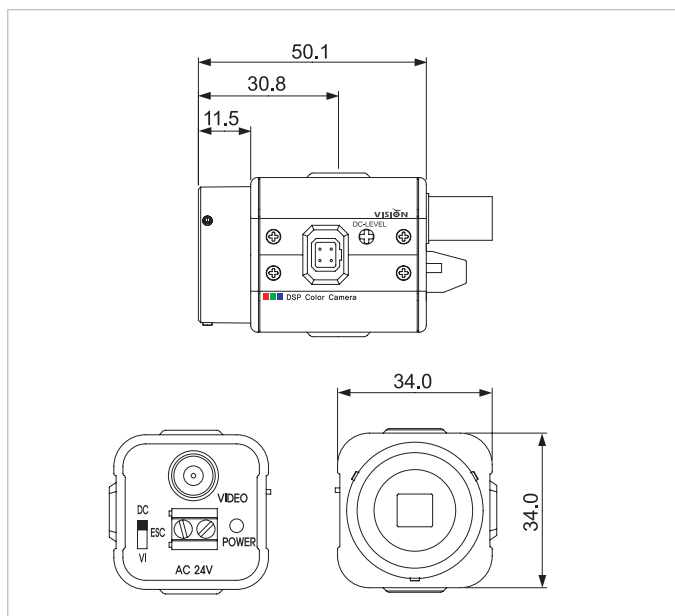
## WDR Digital Day/Night Mini Box Camera



### Key Features

- 1/3" Sony Super HAD CCD II
- 600TVL(D)/ 650TVL(N)
- Real Wide Dynamic
- 2D/3D DNR(Digital Noise Reduction)
- Diverse White Balance (ATW, Co\_L\_Roll/ Push/ Manual)
- Motion Detection                    ■ DIS(Digital Image Stabilizer)
- Highlight Eclipse                    ■ Privacy Masking
- RS-485 Interface(Pelco-D Protocol)
- C/CS Mount
- Min. Illumination : 0.1Lux(Sens-up off), 0.0001Lux(Sens-up x512)
- Easy-to-play OSD button on the unit
- Multi-Lingual OSD(English/ German/ French/ Russian/ Spanish)
- 12VDC

### Dimension



MODEL	VC34S
Image sensor	1/3" Sony Super HAD CCD II
Effective Pixels	NTSC : 768(H) x 494(V), PAL : 752(H) x 582(V)
H. Resolution	600TV Lines(Color)/ 650TV Lines(B/W)
Synchronizing system	Internal
Scanning system	NTSC : 525 Lines PAL : 625 Lines 2:1 Interlaced
Video output	1.0Vp-p Composite 75 Ohms
S/N ratio	More than 52dB (AGC Off)
Min. Illumination	0.1Lux(Sens-up off)/ 0.0001Lux(Sens-up x512)
Shutter Speed	NTSC: 1/60~1/90,000 sec. PAL: 1/50~1/90,000 sec.
Gamma Correction	Standard $\gamma = 0.45$
White Balance	1,500°K ~ 11,000°K Auto (ATW/ Co_L_Roll/ Push/ Manual)
Gain Control	Standard : -6dB ~ 34dB Auto
Smear Effect	0.005%
Power source	12VDC
Operating current	200mA/12VDC
Lens mount	C/CS mount
MTBF	80,000 hours
Iris Control	DC/ Manual
Operating temp./Humidity	-10°C ~ 50°C (Humidity : 0% RH ~ 90% RH)
Measurement (mm)	34(W)x34(H)x50(D)
Weight (Approx. g)	200

Function	
WDR	On/ Off (User selectable by OSD)
2D/3D DNR	On/ Off (User selectable by OSD)
Sens-up	Off/ x2 ~x512
Motion Detection	On/ Off (8 Zone setting available)
Digital zoom	Off, x1 ~ x8.30
White Balance	ATW/ Co_L_Roll/ Push/ Manual
Privacy masking	On/ Off (8 Zone setting available)