

8 Channel Video and Audio Digital Evidence Recorder

Embedded DVR



DIGITAL EVIDENCE RECORDER™



- Full Frame, High Resolution DVR
- 8 channels of Video, Audio and Data recording
- Fully scalable for medium to large projects
- Includes secure network access DVR CONTROL SMS software
- Embedded Linux OS with multiple on board SATA drives

The Video & Audio Digital Evidence Recorder is designed for medium to high frame rate digital video recording applications which require excellent image quality. VADER uses advanced compression and image processing techniques for video and audio to deliver superb recorded and live images, either locally or via networks. The system is highly scalable and will support recording schemes up to an unlimited number of cameras, either via multiple VADER systems or by integration with other Visimetrics DVR and NVR products.

Recording rates are variable on a per channel basis up to 6.25 images per second for all 8 channels. VADER also incorporates advanced Video Motion Detection (VMD) processing and via the highly flexible scheduler, recordings can be made continuously or only when motion occurs. These recording modes can also be combined to maximise disk usage by invoking higher recording rates only when motion is detected.

The Data Logging function supports integration with a vast range of third party equipment, enabling VADER to interface fully with EPOS, Access Control, Intruder Alarm and other sources.

VADER is part of the Visimetrics Digital Evidence Recorder™ range and therefore incorporates a highly robust audit trail and secure, password protected multi level access. Export and transport of evidential data is achieved securely using CD, DVD, USB Stick or portable Hard Disk depending on the volume of data required, via the CONTROL SMS software.

VADER server

Product Range	VADER Server 1U (up to 6TB).
Recording Rates	6.25 fps per channel at full frame. Total 50 fps. Independently variable recording rates per channel from 1.0 to 6.25 fps.
Resolution	720 x 576, 720 x 288 pixels.
Storage Format	JPEG 2000 with variable compression.
Video Input	8 BNC with loop-through and auto termination.
Audio Input / Output	8 line-level mono inputs.
Data Input	Via serial ports or network configurable for various interfaces including EPoS, Access Control etc.
Alarm Input / Output	8 inputs on screw-terminals (NC/NO). 2 relay outputs on screw terminals.
Network Port	100BaseT Ethernet link on RJ45 socket.
Serial Ports	2 RS232.
HDD Expansion	Up to 6TB additional capacity via SATA expansion unit (vDAS).
Operating Modes	Quadraplex (Record/Playback/Display/Archive) via CONTROL SMS Software.
Video Motion Detection	Integrated high-performance VMD with zone-masking.
Recording Scheduling	Programmable continuous and event recording according to time and weekday.
Telemetry Support	Via RS232 - RS485 or co-axial signalling. Various industry protocols supported.
Accessories	Keyboard & Joystick for telemetry control.
Other Features	Full operator log and evidential audit trail via CONTROL SMS Software. Automatic restart after power fail (30 secs from power-on / restart to record).
Mains Power Input	230V (100W typical power consumption).
Operating Conditions	5 to 30 °C; 5% to 85% relative humidity.
Heat Output	341 BTU
Dimensions	W x H x D 442mm x 44mm x 460mm (1U).
Weight	15Kg

1 Commander and 4 Servers

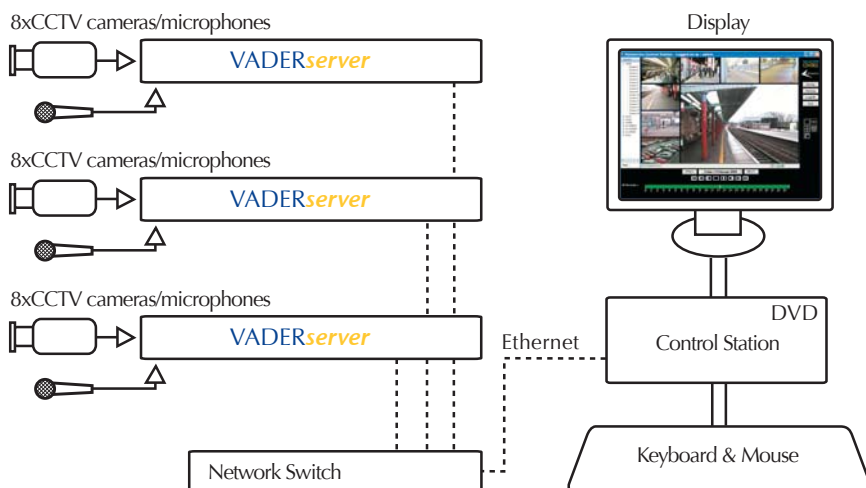


CONTROL SMS user interface



DIGITAL EVIDENCE RECORDER™

All Visimetrics DVR products now carry the **DIGITAL EVIDENCE RECORDER™** trademark. These DVRs are designed to record video, audio and data to the highest possible standards for evidential use, including encoding, time/date/serial number stamping, audit trail and easy, yet evidentially robust, data transport. Ask your dealer for our specially printed blank disks for evidential use.



VADER server units networked together to provide a 24 channel system.



DIGITAL CCTV SYSTEMS

Visimetrics (UK) Ltd
 Skye House
 Skye Road
 Prestwick
 KA9 2TA
 Tel • 01292 673 770
 Fax • 01292 677 990
 e-mail • sales@visimetrics.com