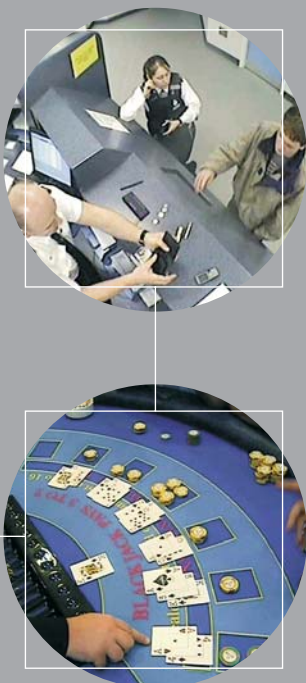


Multi-Channel Real-time Digital Video and Audio Encoder



- Real-time full-frame encoder
- 4 or 8 channels of Video, Audio and Data streaming
- Dedicated hardware design running on embedded Linux
- Optimised for use with Visimetrics RAID array
- Video quality setting per channel

FASTAR Encoder streams real-time D1 (720 x 576) resolution S-VHS quality video with lip-synchronised audio to a network attached storage device such as RAID Array. Designed for higher frame-rate applications such as casinos, custody cells, town centres, airports, seaports, terminals, cash counting areas and similar sites requiring high volumes of fully redundant evidential footage. Each channel independently streams images from 1 to 25 fps (with associated audio and data), according to recording schedules, integrated video motion detection or external alarm input. Independent quality settings per channel enable full customisation of each camera's recorded quality dependant on scene type.

FASTAR Encoder is optimised to operate directly with RAID Array providing flexibility and fault tolerance for critical recording applications. All footage captured within FASTAR Encoder is streamed via the network and stored within RAID volumes for full data redundancy. Access for control, playback and live viewing is achieved through Visimetrics CONTROL application from any location on the network. Linking multiple FASTAR Encoders and RAID Array's provides a fully scaleable and modular redundant recording solution for hundreds of cameras.

FASTAR Encoder runs embedded Linux on purpose-designed hardware for maximum reliability, security and resistance to computer viruses. All software can be remotely upgraded via the network from CONTROL maintaining centralised management of the system.

FASTAR encoder

| | |
|--|---|
| Product Range | FE4U1 - 4 channel FASTAR encoder. FE8U1 - 8 channel FASTAR encoder. |
| Recording Rates | 25 fps per channel at full frame. Total 200 fps. Independently variable recording rates per channel from 1 to 25 fps. |
| Resolution | Selectable: 720 x 576, 480 x 576, 352 x 288. |
| Compression Format | MPEG2 (DVD standard) with adjustable quality factor per channel. |
| Storage Format | External via Visimetrics RAID array. |
| Video Input | 8 x BNC with loop-through and switchable termination. |
| Video Output | 2 x BNC : 1 Main display, 1 spot monitor. |
| Audio Input | Up to 8 x line-level inputs. |
| Data Recording | Up to 16 independent data channels may be recorded through serial ports or network links. Examples: Access Control, ANPR, EPoS, Bar Codes and Alarm data. Recorded data is synchronised with video and audio and is searchable for event retrieval and playback. Text overlay display may be toggled on/off during playback (via CONTROL software). |
| Alarm Input/Output | 8 x inputs on screw terminals (NO/NC). 2 x relay outputs on screw terminals. |
| Network Ports | 100BaseT Ethernet link on RJ45 socket. DHCP enabled. SNMP supported. |
| Serial Ports | 2 x RS232 (RS485 via adaptor). |
| Video Motion Detection | Integrated high performance VMD with zone-masking. |
| Recording Schedule | Programmable continuous and event recording according to time and weekday. Combined VMD/Timelapse mode. |
| Telemetry Support | Via RS232 - RS485 adaptor. |
| Image Export (via CONTROL software) | Transfer of footage to Movie DVD (playable in domestic player), or CD/DVD-RW in data format. Transfer of required Replay Software during disk creation for third party review by PC. Supports transfer to USB devices including Memory Stick and Portable Hard Disk. |
| Software Integration | Visimetrics Software Developers Kit (SDK) provides a powerful set of software components that enable third party applications to integrate with FASTAR encoder. |
| Other Features | Full operator log and evidential audit trail. Automatic restart after power fail (30 secs from power-on/restart to record). Optional Network Time Synchronisation. Remote access, live viewing and camera control via Control software. |
| Mains Power Input | 100 - 240V auto sensing (100W typical power consumption). |
| Operating Conditions | 5 - 30°C (recommended temperature range 18 - 22°C). 5% to 85% relative humidity. |
| Heat Output | 225 BTU |
| Dimensions | W x H x D - 422mm x 44mm x 460mm (1U). With 19" Rack Mounting Kit including front lugs and L Brackets. |
| Weight | 12 Kg |

FASTARencoders networked with RAIDarrays for 24-channels of Video Recording.



CONTROL user interface



DIGITAL EVIDENCE RECORDER™

All Visimetrics DVR products now carry the **DIGITAL EVIDENCE RECORDER™** trademark. These DVRs are designed to record video, audio and data to the highest possible standards for evidential use, including encoding, time/date/serial number stamping, audit trail and easy, yet evidentially robust data transport. Ask your dealer for our specially printed blank disks for evidential use.



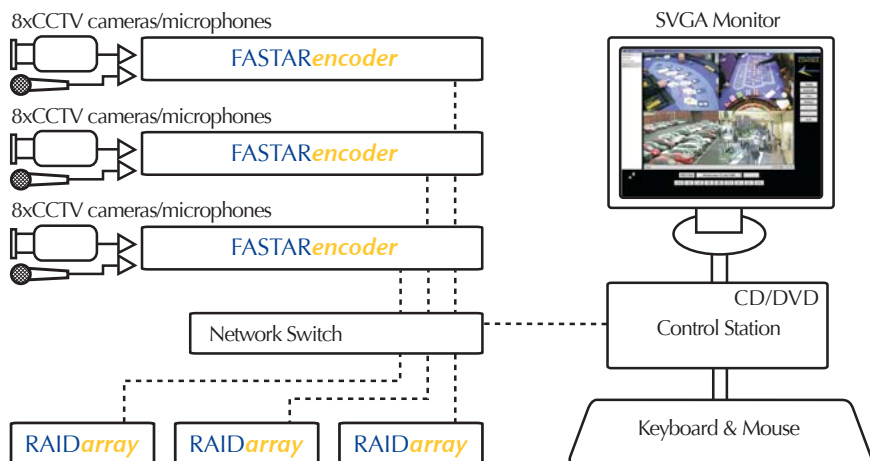
DIGITAL CCTV SYSTEMS

Visimetrics (UK) Ltd
Skye House
Skye Road
Prestwick
KA9 2TA

Tel • +44 (0)1292 673 770

Fax • +44 (0)1292 677 990

e-mail • sales@visimetrics.com



FASTARencoders networked with RAIDarrays units to provide a 24 channel system