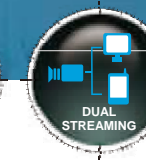
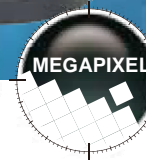
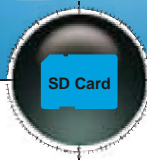


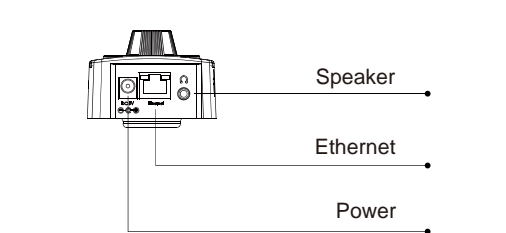
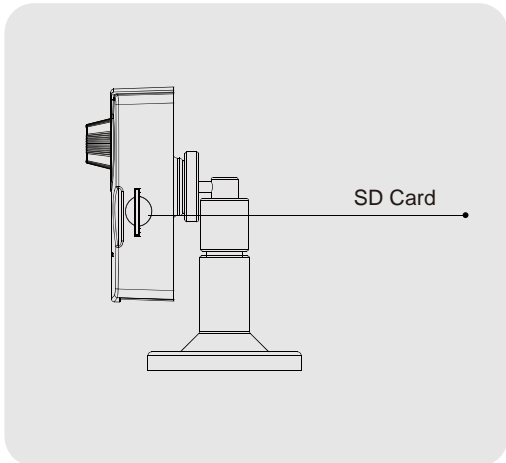
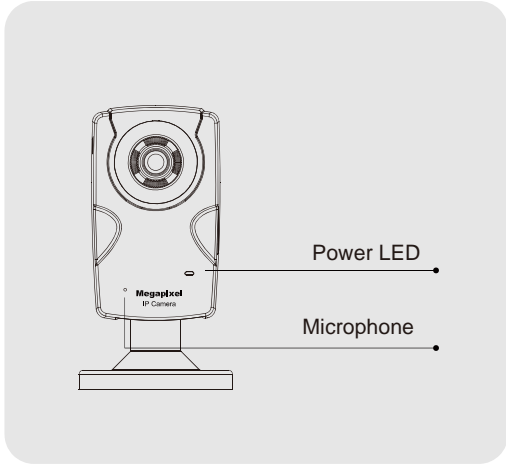
Mega-Pixel IP Camera



HLC-83M

Features:

- **MegaPixel (SXGA Resolution)**
- **MPEG4/JPEG Compression Format**
- **SD Card backup**
- **2way audio**
- **Support cell phone/PDA/3GPP**
- **Dual Streaming**
- **SDK for Software Integration**
- **Wireless (Optional)**
- **Free Bundle 36 Channel Recording Software**
- **Milestone Compatible**



Hardware	
CPU	ARM 9, 32 bit RISC
RAM	64MB
ROM	8MB
Image sensor	1/4" CMOS
Sensitivity	1.5 lux @ F2.0
Lens Type	4.0 mm, F 2.0
Audio Out	1 (3.5 mm Phone Jack)
Power Consumption	LAN: DC 5V, 0.7A WLAN: DC 5V, 0.9A
Dimensions	67.1 (mm)*111.7 (mm)*50.6 (mm)
Weight	180g
Network	
Ethernet	10/ 100 Base-T
Wireless	802.11b/g (Optional)
Wep	64/128 bit
Network Protocol	HTTP, TCP/ IP, SMTP, FTP, PPPoE, DHCP, DDNS, NTP, 3GPP, UPnP
System	
Video Resolution	1280x1024, 640x480, 320x240, 160x120
Video adjust	Brightness, Contrast, Exposure, Sharpness, Night Mode
Dual Streaming	Yes
Image snapshot	Yes
Full screen monitoring	MPEG-4, JPEG
Video bit rate adjust	CBR, VBR
Motion Detection	Yes, 3 different areas
Triggered action	Mail, FTP, Save to SD card
Pre/ Post alarm	Yes, configurable
Security	Password protection
Firmware upgrade	HTTP mode, can be upgraded remotely
Simultaneous connection	Up to 10
Audio	Yes, 2-way (Duplex Support)
SD card management	
Recording trigger	Motion Detection, IP check, Network status (Wire connection only)
Video format	AVI
Video playback	Yes
Delete files	Yes
Client system requirements	
OS	Windows 2000, XP, 2003, IE 6 or above
Hardware	
Suggested	Intel-C 2.0G, RAM: 512MB, Graphic card: 64MB
Minimum	Intel-C 1.6G, RAM: 256MB, Graphic card: 32MB