

Vi6108 / Vi6108J

8-Ch Active UTP Video Receiver HUB with DA

Features

- Quality video over 6000 feet (1830 m) of unshielded twisted pair wires (UTP).
- 8 Integrated 1-in / 4-out video distribution amplifiers
- NTSC, PAL , and SECAM video formats
- Female BNC and Terminal Blocks or RJ-45 connectors
- 70 dB cross talk and noise immunity
- Full ground-loop immunity & Built-in surge protection
- A single distance adjustment for each video channel
- Compatible with qualified UTP Cameras
- Includes 32 two-foot coax jumper cables
- Video Present LED indicators for each channel
- Limited Lifetime warranty



Applications

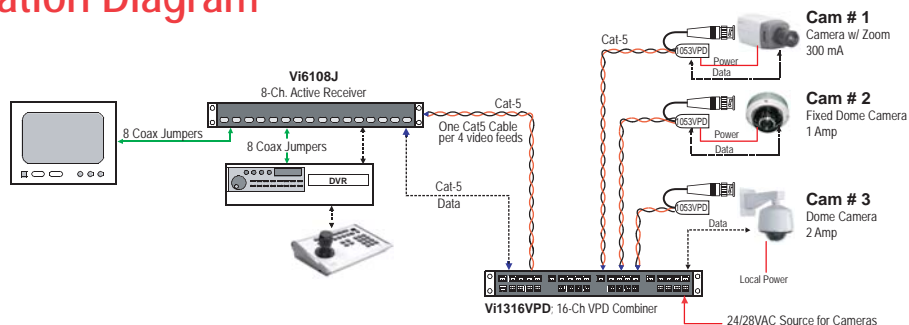
- Security and Surveillance
- Structured Cable Environments
- Casinos and Gaming
- Hospitals and Airports
- Long Distance alternative to Fiber Optic

The Vigitron Vi6108 is an advanced 8 port active receiver Hub that receives high resolution color or B&W video over unshielded twisted pair wires Category 2-7 at distances up to 6,000 feet (1830 m) when used with Vigitron Vi6100VT Active Transmitter. It can be used with any Vigitron passive transceiver for distances up to 3,500 feet (1060 m).

The Vi6108 is a compact 1U 19" rack mountable unit that has an integrated Video Distribution Amplifier, 4 BNC outputs per channel. This lends flexibility in many applications that require connection to multiple video devices, such as a DVR, Matrix Switcher and remote monitors. Each channel has a single distance adjustment, as well as an LED to indicate video presence. This receiver has built-in surge suppression to protect video equipment against damaging voltage spikes. Its Integrated Ground Loop isolation prevents disturbing "hum-bars" common with long distance installations and its excellent crosstalk and noise immunity provides quality video up to the maximum distance. The Vi6108J provides RJ-45 ports for UTP connectivity to simplify VPD system installations.

The Vi6108 innovative design offers exceptional quality video and system flexibility that makes it ideal for a wide variety of applications that require multiple video channels, and makes a cost-effective alternative to expensive fiber optic solutions.

Application Diagram



The smart choice for quality video



www.vigitron.com

Technical Specification*

Electrical

Video Format	NTSC, PAL, SECAM
Frequency	20 Hz to 6 MHz
Coax	75 Ohm
Twisted Pair	100 Ohms +/- 20%, 24 AWG min up to 6000 feet (1830 m) Unshielded Category 2-7
CMRR	70 dB
Video Present	Green LED for each channel
Power	110 V AC / 300 mA, 240 V AC / 150 mA
Power Indicator	8 Green LEDs, one per channel
Connectors	UTP Inputs: Vi6108: Detachable Terminal Blocks Vi6108J: RJ-45 Connectors Video outputs: Quad BNC outputs for each input Power: AC Power Inlet
Transient Immunity	6000V, 1.2 uS x 50 uS

Environmental

Humidity	0 to 95%, non-condensing
Temperature	Operating: -10C to +50C Storage: -30C to +70C

Mechanical

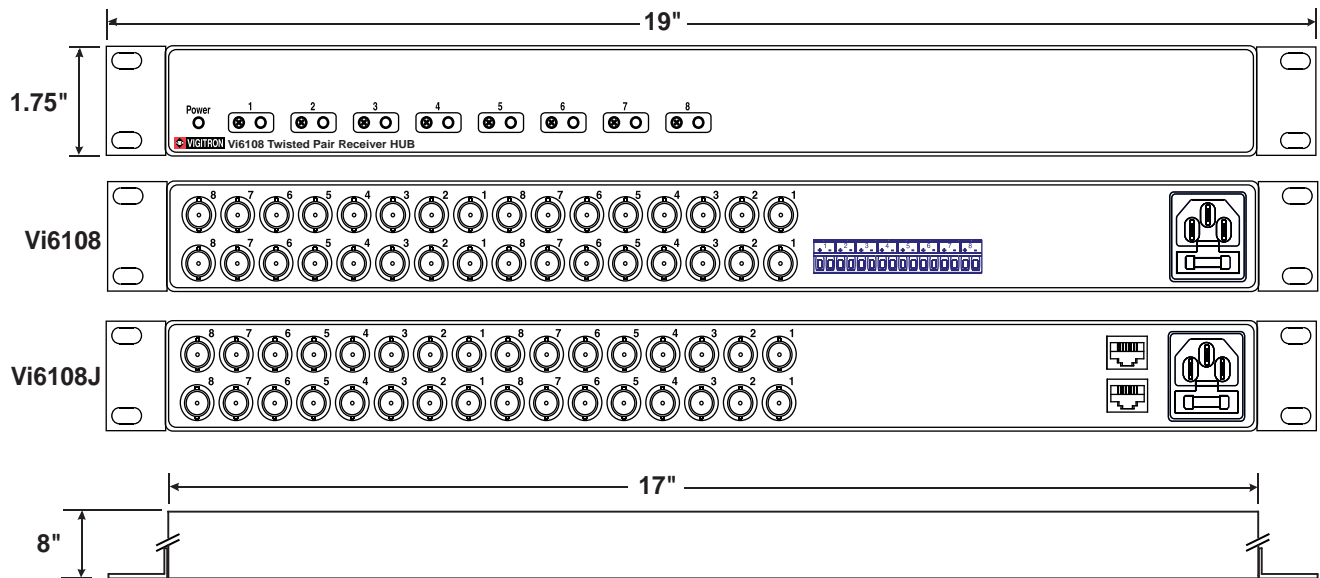
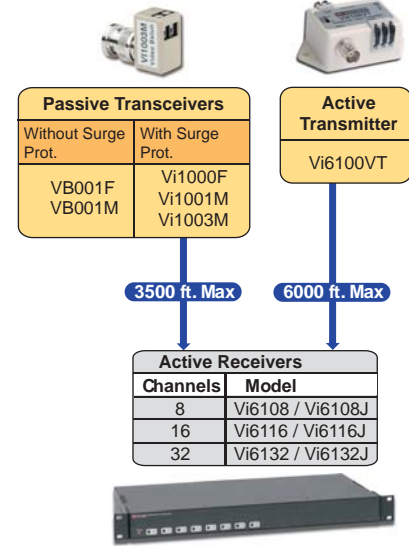
Dimensions	1.7x17.0x8.0 Inches, 4.3x43x20.3 cm (HxWxL)
Weight	3.5 Lb, 1600 g
Material	Aluminum Sheet Metal

*Specifications subject to change without notice.

Ordering Information

PART No.	Description
Vi6108	8-Ch Active Receiver HUB
Vi6116	16-Ch Active Receiver HUB
Vi6132	32-Ch Active Receiver HUB
Vi6108J	8-Ch Active Receiver HUB W/RJ-45
Vi6116J	16-Ch Active Receiver HUB W/RJ-45
Vi6132J	32-Ch Active Receiver HUB W/RJ-45

System Configuration



Wire and Cable Recommendations

The Vigitron products are designed to be used with unshielded twisted pair (UTP) wiring. The UTP wire must be 24AWG - 12AWG or Category 2 - 7 cable. Multi-pair cable with an overall shield is acceptable, however individually shielded pairs should be avoided. Multiple UTP Video feeds can be operated in the same communication cable along with telephone, computer, control signals and low power voltages. While UTP video may be routed through punch-down block terminals, any resistive, capacitive or inductive devices (such as T-taps or MOV's) must not be used. For more specific information regarding wire types and proper installation techniques, please contact Vigitron for technical assistance.



TEL (+1) 858-484-5209 • FAX (+1) 858-484-1205
13906 Sparren Ave. San Diego, CA 92129, USA • info@vigitron.com • www.vigitron.com