

# Vi6008HR/Vi6016HR/Vi6032HR

## 8-Ch/16-Ch/32-Ch Active UTP Video Receiver Hubs

### Features

- Quality color and B&W video over 6000 feet (2000 m) of unshielded twisted pair wires (UTP).
- NTSC, PAL, and SECAM video formats
- Compatible with qualified cameras with built-in UTP transmitter
- 70 dB cross talk and noise immunity
- Full ground-loop immunity
- Built-in surge protection
- A single distance adjustment for video
- Female BNC and detachable terminal blocks
- Includes 8, 16, or 32 two-foot coax jumper cables
- Video Present LED indicators for each channel
- Limited Lifetime warranty



### Applications

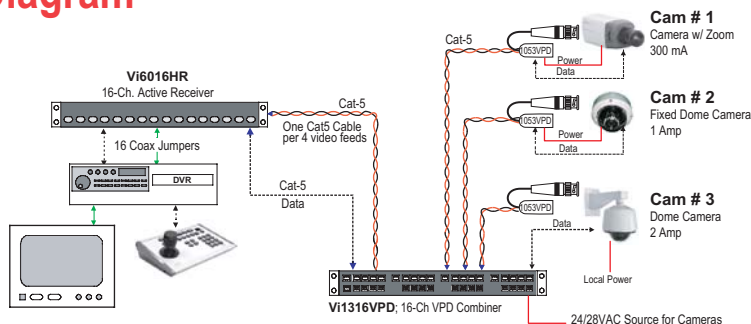
- Security and Surveillance
- Department Store Security
- Casino Security
- Hospitals and Airports
- School Campuses

The Vigitron VI6008HR, VI6016HR, VI6032HR are 8, 16, and 32-port active video receiver HUBs. They receive quality color and B&W video over 6000 feet (2000 m) of point-to-point unshielded twisted pair (UTP) wires.

These HUBs are used with VI6000VT (for up to 6000 ft) or any vigitron passive transceivers such as VI1000 (for up to 3000 ft) transceivers. They use Category 2-5 twisted pair wires, easy to install, and cost effective. These HUBs have built-in surge suppression to protect video equipment against damaging voltage spikes and provide noise immunity to ensure quality signals without disturbing "hum-bars". The distance for each channel is easily adjustable using a single potentiometer. A green LED indicates video presence for each channel.

The VI60XXHR HUBs offer quality video in a highly integrated and cost-effective package. They are ideal for a wide variety of security and surveillance applications

### Application Diagram



The smart choice for quality video



[www.vigitron.com](http://www.vigitron.com)

DSVi6032HR\_0805

# Technical Specification\*\*

## Electrical

Video Format	NTSC, PAL, SECAM
Frequency	20 Hz to 6 MHz
Coax	75 Ohm
Twisted Pair	100 Ohms +/- 20%, 24 AWG min up to 1000 feet (305 m)* Unshielded Category 2-5
CMRR	70 dB
Video Present	Green LED for each channel
Power	110-240 V AC, 400 mA
Power Indicator	Red LED
Connectors	UTP Video Inputs: Detachable Terminal Blocks Video outputs: BNC Connector Power: AC Power Inlet
Transient Immunity	6000V, 1.2 uS x 50 uS

## Environmental

Humidity	0 to 95%, non-condensing
temperature	Operating: -10C to +70C Storage: -30C to +70C

## Mechanical

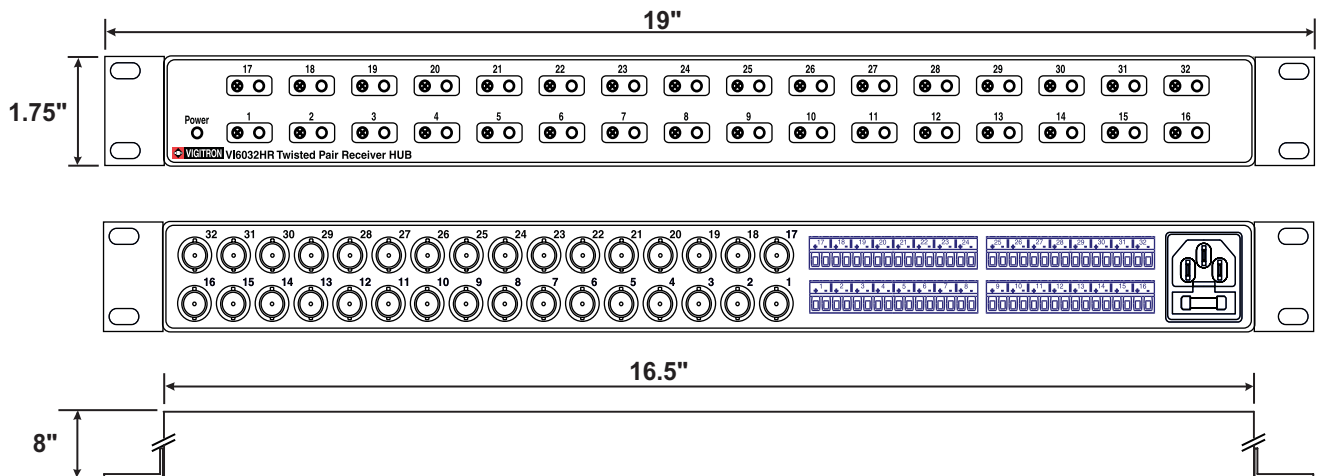
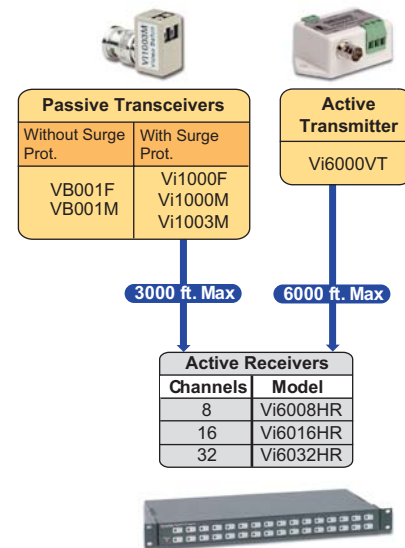
Dimensions	1.7x17.0x8.0 Inches, 4.3x43x20.3 cm (HxWxL)
Weight	3.5 Lb, 1600 g
Material	Aluminum Sheet Metal

\*\*Specifications subject to change without notice.

## Ordering Information

PART No.	Description
Vi6008HR	8-Ch Active Receiver HUB
Vi6016HR	16-Ch Active Receiver HUB
Vi6032HR	32-Ch Active Receiver HUB

## System Configuration



## Wire and Cable Recommendations

The Vigitron products are designed to be used with unshielded twisted pair (UTP) wiring. The UTP wire must be 24AWG - 12AWG or Category 2 - 7 cable. Multi-pair cable with an overall shield is acceptable, however individually shielded pairs should be avoided, Multiple UTP Video feeds can be operated in the same communication cable along with telephone, computer, control signals and low power voltages. While UTP video may be routed through punch-down block terminals, any resistive, capacitive or inductive devices (such as T-taps or MOV's) must not be used. For more specific information regarding wire types and proper installation techniques, please contact Vigitron for technical assistance.



TEL (+1) 858-484-5209 • FAX (+1) 858-484-1205  
13906 Sparren Ave. San Diego, CA 92129, USA • info@vigitron.com • www.vigitron.com