

Vi2404 / Vi2408 / Vi2416

MaxiiCopper™ 4, 8 and 16-port High-Speed Ethernet Extenders over Coax

Features

- Extends Ethernet 10BaseT up to 5,000 ft (1,515 m) and 100BaseT up to 1,800 ft (546m) for data. Extends Ethernet 10BaseT up to 3,000 ft (914 m) and 100BaseT up to 1,800 ft (546m) when using Pass Through PoE (PTP™).
- Saves additional equipment costs and reduces installation time.
- Pass Through PoE (PTP™) compatibility with 802.3af PoE reduces installation costs while maintaining camera safeguards.
- MegaPixel Certified (MPC™) High data rate, ideal for high bandwidth requirements of Mega-pixel cameras, and cameras requiring Jumbo Frame transmission.
- Symmetric Bandwidth (SBW™) provides consistent upload and download with Virtual Zero Packet Loss (VZPL™) over total specified distance.
- Type tested to RFC-2544 TCP/IP network bandwidth packet transmission standards.
- Built in transceiver cable connectivity tester.
- Type tested for -40°C to +75°C temperature range under NEMA-TS2 testing standards.
- Data rate selectable to for maximum bandwidth utilization.
- Complies to major IEEE standards and RFC protocols for UDP, TCP/IP, HTTP/HTTPS.
- USA designed and manufactured.
- Limited Lifetime Warranty.



Applications

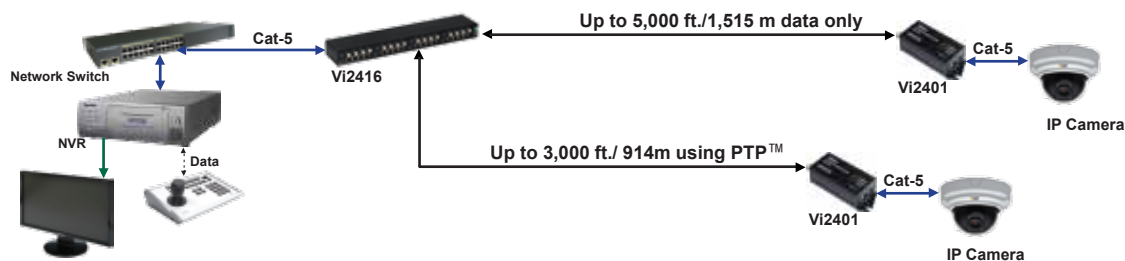
- Upgrading analog CCTV installations into Digital systems
- Extending Networks in industrial environment
- CCTV System for Casinos, Airports, School Campuses

Vigatron's MaxiiCopper™ Vi2400 Ethernet extender series brings new performance standards to the growing need for high speed transmission full bandwidth Ethernet and power over extended distances. Its unique Symmetric Bandwidth (SBW™) assures full bandwidth transmission is maintained over the entire operational distance for both uploads and downloads with Virtual Zero Packet Loss (VZPL™). Bandwidth assurance also provides the ability to transmit multiple cameras on single cables runs. Combining a Vi2400 series extender with Vigatron's MaxiiCollector™ Vi2804 Extended Ethernet Switch, up to 4 cameras can be transmitted to a central location on a single cable. The Vi2408 and Vi2416 are offered in EIA 19" 1U high rack for easy installation.

Pass Through PoE (PTP™) eliminates the need for additional cost for remote site power while providing power for both transmitter and receiver. Type tested under NEMA-TS2 environmental operation standards between -40C° to +75C°, the Vi2400 series is the perfect solution for remote signal and power transmission for warehouse, parking lot, campus and casino applications. Best of all, the Vi2400 series are MegaPixel Certified (MPC™), type tested to network packet performance standards, and major camera brand compatible to assure you error free, quality operations. The product series is available in single, four, eight, and sixteen channel configuration to meet every system application requirement.

Installation cost savings, proven performance, and major camera brand compatibility all go into making the Vigatron's MaxiiCopper™ Vi2400 series your best choice for extended distance IP data and power transmission.

Application Diagram



The Smart Choice for Transmission Solutions

www.vigatron.com

Technical Specification¹

Electrical

Ethernet Interface	Standard 10/100BaseT
Ethernet Rate	Dip switch selectable 10/100 Mb/s Full speed / full duplex at maximum rated distance
Coax ²	75 Ohm, 5,000 feet (1,515 m) at 10BaseT
Power Supply	12 VDC, Vi2304 @ 500 mA (max.), Vi2408 @ 1.2 mA (max.) Vi2316 @ 2.5 A (max.)
Status LEDs	Power On Standard Ethernet: Traffic, Link Extended Ethernet: Traffic, 10/100BaseT
Connectors	Ethernet Interface: 4 x RJ-45 Connector Extended Interface: 4 x Female BNC Power: Pluggable Terminal Block
RFC	2544 TCP/IP Packet Transmission
PoE Compatibility	IEEE 802.3af
RFC	768 UDP, 2068 HTTP, 793 TCP 791 IP, 1783 TFTP, 894 IP over Ethernet
Jumbo Frame Support	Yes

Regulatory

FCC	Part 15, Subpart B, Class B 2010
Emissions	EN 5502:2006+A1:2007 EN 61000-3-2:2006+A1:2009+A2:2009 EN 61000-3-3:2008 EN 55024:1998+A1:2001+A2:2003
Safety	CE, UL
Environmental	RoHS

Environmental

Humidity	0 to 95%, non-condensing
Temperature	Operating: -40°C to +75°C Storage: -40°C to +85°C

Mechanical

Dimensions	Vi2304: 1.15x3.6x3.3 in., 4.2x9.2x8.4 cm (HxWxL) Vi2308/Vi2316: 1.75x3.25x17 in., 4.4x8.25x43 cm (HxWxL)
Weight	Vi2304: 0.584 lb (265 g) Vi2308: 1.8 lb (0.82 Kg), Vi2316: 3.25 lb (1.5 Kg)
Material	Aluminum

Accessories

- 12 VDC wall-mount power supply (optional)
- Rack mount brackets

Ordering Information

PART No.	Description
Vi2401	Single port Coax Ethernet Extender
Vi2404	4-port Coax Ethernet Extender
Vi2408	8-port Coax Ethernet Extender, 19", 1U
Vi2416	16-port Coax Ethernet Extender, 19", 1U
Vi0014	12VDC, 3A Wall-mount Power Supply

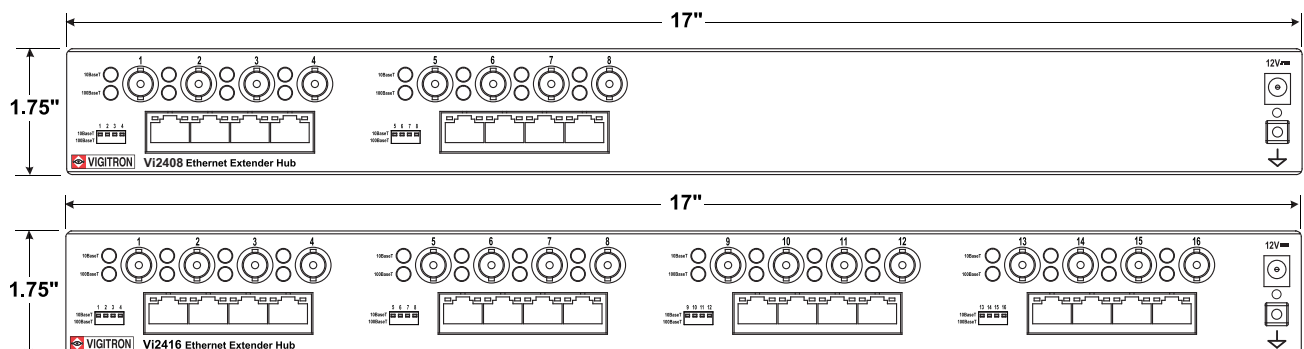
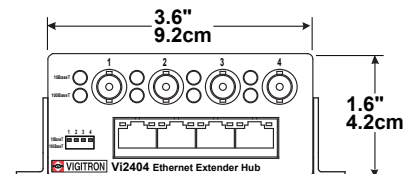
System Configuration



Data and PoE Distance^{2,5}

Data Rate	Distance ³ (without PoE)	Distance ⁴ (with PoE)
10BaseT	5,000 ft. (1,515m)	3,000 ft. (914m)
100BaseT	1,800 ft. (546m)	1,800 ft. (546m)

- Specifications subject to change without notice.
- Distance figures are obtained using in house testing mirroring installations. Factors such as cabling, connections, use of power and environmental conditions may affect actual distances and should be taken into consideration.
- Distance figures are based on RG59U Coax cable and external power supply for extender and camera.
- Specifications reflect operating using Pass Through PoE (PTP™) providing power for both transceivers and camera from a single source. Distances may increase if transceivers are locally powered.
- System can be powered for 802.3af using PTP™ reference used is Class 2.



TEL (+1) 858-484-5209 • FAX (+1) 858-484-1205
13906 Sparren Ave. San Diego, CA 92129, USA • info@vigatron.com • www.vigatron.com