

Vi1116PS

16-Ch Isolated Power Supply

Features

- 16 isolated outputs, individually selectable to 24 VAC or 28 VAC
- 1 A max per channel, 12 A aggregated
- Built-in surge protection
- A glass fuse per channel, accesable from front panel
- Power present and fault indicator LEDs for each camera
- 19", low profile 1U wall or rack or wall mountable
- Optional cooling fans with temperature control
- Designed for structured wiring applications
- Limited Lifetime warranty



Applications

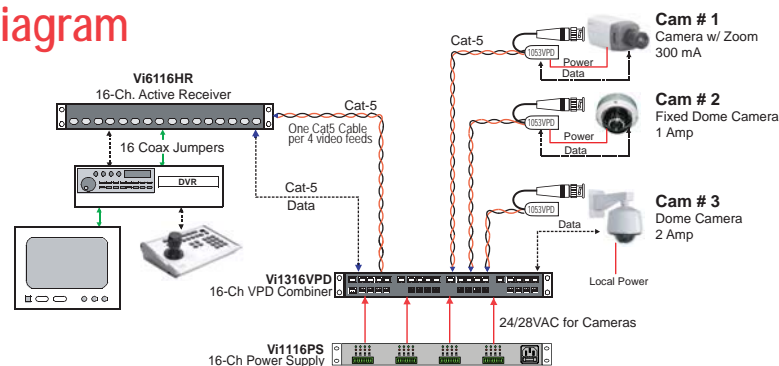
- Security and Surveillance
- Powering Rack-mounted Equipment
- Powering Networking Equipment
- Structured Wiring Applications

The Vi1116PS is a high quality 16-ch fully isolated class II power supply that each output can be set individually to 24 VAC or 28 VAC. Each power output can be individually turned on or off, is equipped with surge protection and a 2 A glass fuse easily accessible from front panel. The input voltage can be selected at 110 VAC or 220 VAC via an external switch.

The Vi1116PS is a 19" rack mountable at 1U height. This unit can mounted from front or rear in the rack. The output connections are through detachable terminal blocks to ease the installation. There are one LED for power and one LED for fault detection per output. The cooling fan option can increase the aggregated current from 12 A to 16 A.

The Vi1116PS is an ideal CCTV component for structured cabling environment.

Application Diagram



Technical Specification*

Electrical

Input Voltage	110 VAC or 220 VAC, internally switch selectable
Input Current	4.8 Amps (110 VAC) / 2.4 Amps (220 VAC)
Output Voltage	Voltage: Isolated Class II, 24 V AC, off, 28V AC Rear Panel switch selectable
Output Current:	1 A Max per camera, 12 A Max aggregated Power: 340 VA
Fault Protection	2 A glass fuse (front access) per camera
Diagnostics LEDs	No Load or Shut down: 16 Red LEDs, one per channel Power Present: 16 Green LEDs, one per channel
Connectors	Camera Connection: RJ-45 Connector Data: RJ-45 Connector Control Room Video: BNCs

Transient Immunity per ANSI 587 C62.41

Environmental

Humidity	0 to 95%, non-condensing
Temperature	Operating: -20C to +50C Storage: -30C to +70C
Minimum Airflow	5 ft /min
Heat	1300 BTU/hour

Mechanical

Dimensions	1.75x17x12 Inches, 4.3x43x30.5 cm (HxWxL)
Weight	22 Lb, 10 Kg
Material	Steel Sheet Metal

*Specifications subject to change without notice.

Ordering Information

PART No.	Description
Vi1108VPD	8-Ch Powered VPD Combiner-Receiver
Vi1116VPD	16-Ch Powered VPD Combiner-Receiver

System Configuration

