

Vi1108PS

8-Ch Isolated Power Supply

Features

- 8 isolated outputs, individually selectable to 24 VAC or 28 VAC
- 1 A max per channel, 6 A aggregated
- Built-in surge protection
- A glass fuse per channel, accesable from front panel
- Power present and fault indicator LEDs for each camera
- 19", low profile 1U wall or rack or wall mountable
- Optional cooling fans with temperature control
- Designed for structured wiring applications
- Limited Lifetime warranty



Applications

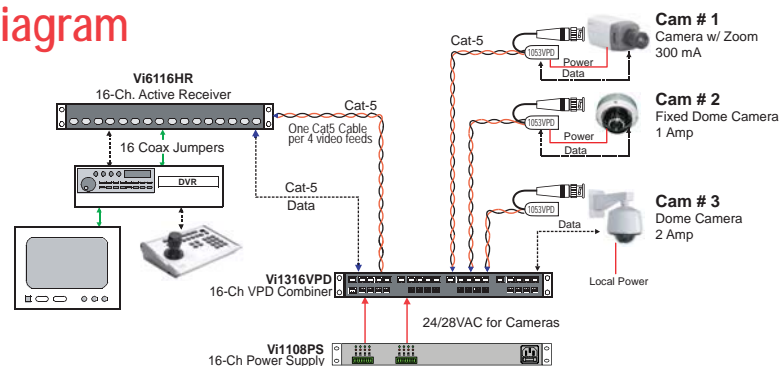
- Security and Surveillance
- Powering Rack-mounted Equipment
- Powering Networking Equipment
- Structured Wiring Applications

The Vi1108PS is a high quality 8-ch fully isolated class II power supply that each output can be set individually to 24 VAC or 28 VAC. Each power output can be individually turned on or off, is equipped with surge protection and a 2 A glass fuse easily accessible from front panel. The input voltage can be selected at 110 VAC or 220 VAC via an external switch.

The Vi1108PS is a 19" rack mountable at 1U height. This unit can mounted from front or rear in the rack. The ouput connections are through detachable terminal blocks to ease the installation. There are one LED for power and one LED for fault detection per output. The cooling fan option can increase the aggregated current from 6 A to 8 A.

The Vi1108PS is an ideal CCTV component for structured cabling environment.

Application Diagram



The smart choice for quality video

www.vigitron.com

DSVi116VPD_0707



Technical Specification*

Electrical

| | |
|------------------|---------------------------------------------------------------------------------------------------|
| Input Voltage | 110 VAC or 220 VAC, internally switch selectable |
| Input Current | 2.4 Amps (110 VAC) / 1.2 Amps (220 VAC) |
| Output Voltage | Voltage: Isolated Class II, 24 V AC, off, 28V AC Rear Panel switch selectable |
| Output Current | 1 A Max per camera, 6 A Max aggregated Power: 180 VA |
| Fault Protection | 2 A glass fuse (front access) per camera |
| Diagnostics LEDs | No Load or Shut down: 8 Red LEDs, one per channel Power Present: 8 Green LEDs, one per channel |
| Connectors | Camera Connection: RJ-45 Connector Data: RJ-45 Connector Control Room Video: BNCs |

Transient Immunity per ANSI 587 C62.41

Environmental

| | |
|-----------------|--------------------------------------------------|
| Humidity | 0 to 95%, non-condensing |
| Temperature | Operating: -20C to +50C Storage: -30C to +70C |
| Minimum Airflow | 3 ft ³ /min |
| Heat | 700 BTU/hour |

Mechanical

| | |
|------------|-------------------------------------------|
| Dimensions | 1.75x17x12 Inches, 4.3x43x30.5 cm (HxWxL) |
| Weight | 12 Lb, 5.5 Kg |
| Material | Steel Sheet Metal |

*Specifications subject to change without notice.

Ordering Information

| PART No. | Description |
|-----------|-------------------------------------|
| Vi1108VPD | 8-Ch Powered VPD Combiner-Receiver |
| Vi1116VPD | 16-Ch Powered VPD Combiner-Receiver |

System Configuration

