

Vi1100PS

24 VAC/DC to 12 VDC Converter

Features

- Converts 24 VAC/DC to 12 VDC
- Provides up to 600 mA
- Wide input range of 16 V to 36 V
- Screwless connector and pig-tail for fast installation
- Very low output ripple
- Limited lifetime warranty



Applications

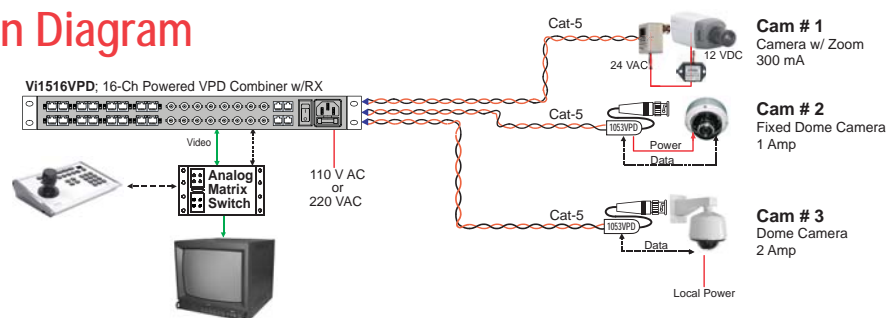
- Replacing old 24 VAC cameras with 12 VDC cameras
- Extending power distance in video/power/data over UTP projects
- Casino security
- Hospitals and airports
- School campuses

The Vi1100PS is a device that converts 24 VAC input to 12 VDC to power 12 VDC cameras.

It can be used to extend power distances up to 3,000 feet (930 m) over 2 pairs of a single Cat-5 cable for structured cabling CCTV installations. Its compact size makes it easy to mount in tight places variety of applications. The power distribution from the control room over UTP can be 24/28 VAC. The Vi1100PS makes it possible to use 12 VDC cameras in an existing 24 VAC power system.

It connects to input power through screwless connectors. Its 12 VDC power output is available on a 9" pigtail wire. Its exceptional low noise output ensures quality video signals. The Vi1100PS is an ideal for a structured cabling CCTV or retrofitting existing CCTV camera installations

Application Diagram



The smart choice for quality video



www.vigitron.com

DSVi1100PS_1108

Technical Specification*

Electrical

Input Voltage	16-30 VAC/DC
Output Voltage	Regulated 12 VDC
Output Current	600 mA maximum
Output Ripple	30 mV maximum
Input Connectors	Screwless connector
Output Connectors	9 inch twisted pair

Ordering Information

PART No.	Description
Vi1100PS	24 VAC/DC to 12 VDC Converter

Environmental

Humidity	0 to 95%, non-condensing
Temperature	Operating: -10C to +50C Storage: -30C to +70C

Mechanical

Dimensions	1.0x1.0x0.8 inches, 2.5x2.5x2 cm (HxWxL)
Weight	0.03 Lbs (13 g)
Material	Black ABS plastic, UL rating of 94V-0

*Specifications subject to change without notice.

