

Vi1008/Vi1016/Vi1032

8-Ch/16-Ch/32-Ch Passive UTP Video Receiver Hubs

Features

- Quality color and B&W video over 1000 feet (305 m) of unshielded twisted pair wires (UTP)*.
- NTSC, PAL , and SECAM video formats
- Compatible with qualified cameras with built-in UTP transmitter
- 60 dB cross talk and noise immunity
- No power required
- Built-in surge protection
- Female BNC and detachable terminal blocks
- Female BNC and detachable terminal blocks
- Includes 8, 16, or 32 two-foot coax jumper cables
- Limited Lifetime warranty



Applications

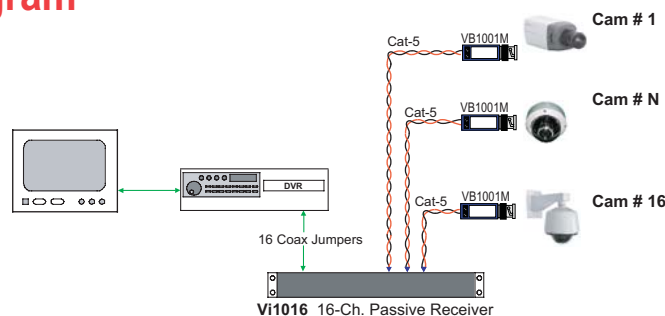
- Security and Surveillance
- Department Store Security
- Casino Security
- Hospitals and Airports
- School Campuses

The Vigitron Vi1008, Vi1016, and Vi1032 are 8, 16, and 32-ch passive transceiver hubs that transmit video over unshielded twisted pair (UTP) wires, point-to-point, for distances up to 1000 feet (305 m)*.

They are used with Vi1000 or VB1000 transceivers to support "up-the-coax" PTZ signals. These Hubs use Category 2-5 twisted pair wires, are easy to install, cost effective, and do not require power.

They have built-in surge suppression to protect video equipment against damaging voltage spikes and provide noise immunity to ensure quality signals without disturbing "hum-bars". These hubs offer quality video in a highly integrated and cost-effective package. They are ideal for a wide variety of security and surveillance applications that require high-density CCTV systems.

Application Diagram



The smart choice for quality video



www.vigitron.com

DSVi1032_0805

Technical Specification**

Electrical

Video Format	NTSC, PAL, SECAM
Frequency	DC to 10 MHz
Coax	75 Ohm
Twisted Pair	100 Ohms +/- 20%, 24 AWG min up to 1000 feet (305 m)* Unshielded Category 2-5
CMRR	60 dB
Insertion Loss	0.3 dB
Power	No power required
Connectors	UTP Video Inputs: Detachable Terminal Blocks Video outputs: BNC Connector
Transient Immunity	6000V, 1.2 uS x 50 uS

Environmental

Humidity	0 to 95%, non-condensing
temperature	Operating: -10C to +70C Storage: -30C to +70C

Mechanical

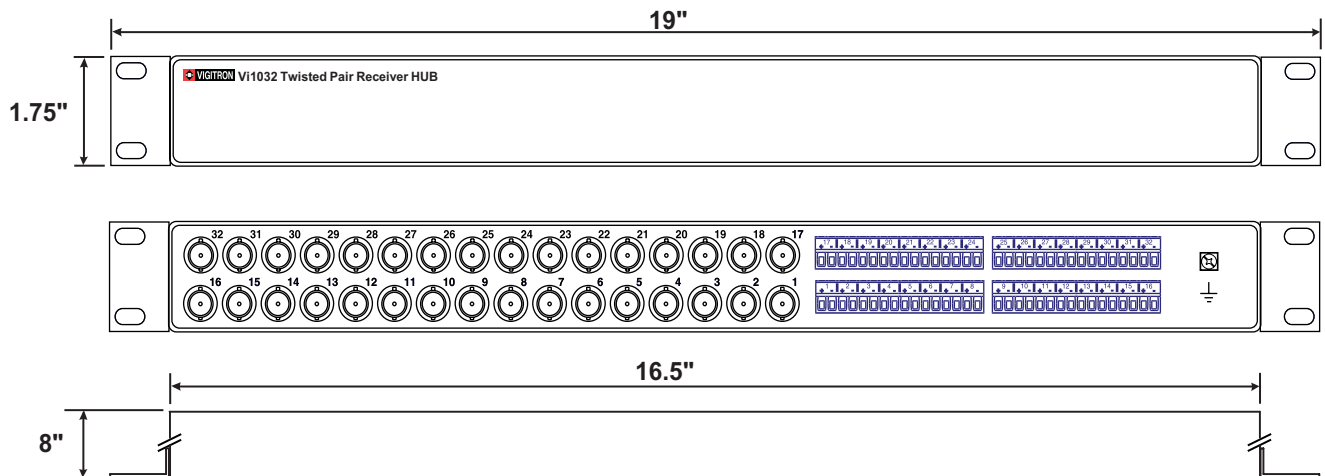
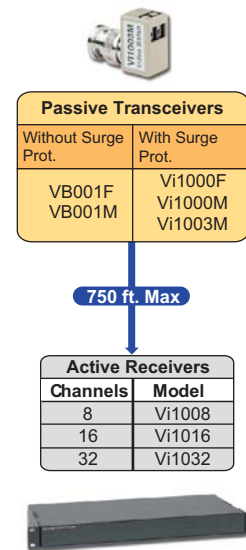
Dimensions	1.7x17.0x8.0 Inches, 4.3x43x20.3 cm (HxWxL)
Weight	3.3 Lb, 1500 g
Material	Aluminum Sheet Metal

*It is recommended not to exceed 750 feet (250m) when using with digital equipment.
**Specifications subject to change without notice.

Ordering Information

PART No.	Description
Vi1008	8-Ch Passive Receiver HUB
Vi1016	16-Ch Passive Receiver HUB
Vi1032	32-Ch Passive Receiver HUB

System Configuration



Wire and Cable Recommendations

The Vigitron products are designed to be used with unshielded twisted pair (UTP) wiring. The UTP wire must be 24AWG - 12AWG or Category 2 - 7 cable. Multi-pair cable with an overall shield is acceptable, however individually shielded pairs should be avoided, Multiple UTP Video feeds can be operated in the same communication cable along with telephone, computer, control signals and low power voltages. While UTP video may be routed through punch-down block terminals, any resistive, capacitive or inductive devices (such as T-taps or MOV's) must not be used. For more specific information regarding wire types and proper installation techniques, please contact Vigitron for technical assistance.



TEL (+1) 858-484-5209 • FAX (+1) 858-484-1205
13906 Sparren Ave. San Diego, CA 92129, USA • info@vigitron.com • www.vigitron.com