

# Vi1004

## 4-Ch Passive UTP Video Receiver Hub

### Features

- Quality color and B&W video over 1000 feet (305 m) of unshielded twisted pair wires (UTP)\*.
- NTSC, PAL , and SECAM video formats
- Compatible with qualified cameras with built-in UTP transmitter
- 60 dB cross talk and noise immunity
- No power required
- Built-in surge protection
- Detachable terminal blocks and RJ-45 connector for UTP
- High-Density, 1U Rack-Mountable with a VI0010 panel
- Limited Lifetime warranty



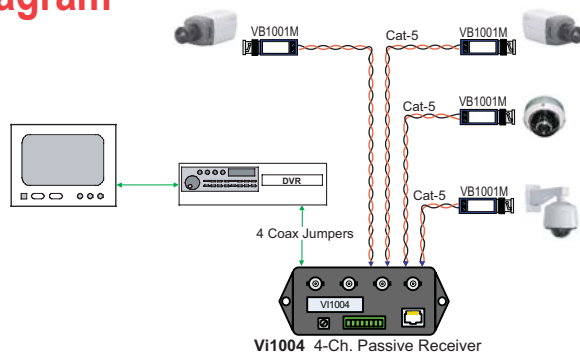
### Applications

- Security and Surveillance
- Department Store Security
- Casino Security
- Hospitals and Airports
- School Campuses

The Vigitron Vi1004 is a passive transceiver hub that transmits video over unshielded twisted pair (UTP) wires, point-to-point, for distances up to 1000 feet (305 m)\*. It is used with Vigitron passive transceivers such as VB1001 to support "up-the-coax" PTZ signals. This Hub use Category 2-5 twisted pair wires, is easy to install, cost effective, and do not require power.

It has built-in surge suppression to protect video equipment against damaging voltage spikes and provide noise immunity to ensure quality signals without disturbing "hum-bars". The Vi1004 offers quality video in a highly integrated and cost-effective package. It is ideal for a wide variety of security and surveillance applications that require high-density CCTV systems.

### Application Diagram



The smart choice for quality video



[www.vigitron.com](http://www.vigitron.com)

DSVi1004\_0805

# Technical Specification\*\*

## Electrical

Video Format	NTSC, PAL, SECAM
Frequency	DC to 10 MHz
Coax	75 Ohm
Twisted Pair	100 Ohms +/- 20%, 24 AWG min up to 1000 feet (305 m)* Unshielded Category 2-5
CMRR	60 dB
Insertion Loss	0.3 dB
Power	No power required
Connectors	UTP Video Inputs: Detachable Terminal Blocks Video outputs: BNC Connector
Transient Immunity	6000V, 1.2 uS x 50 uS

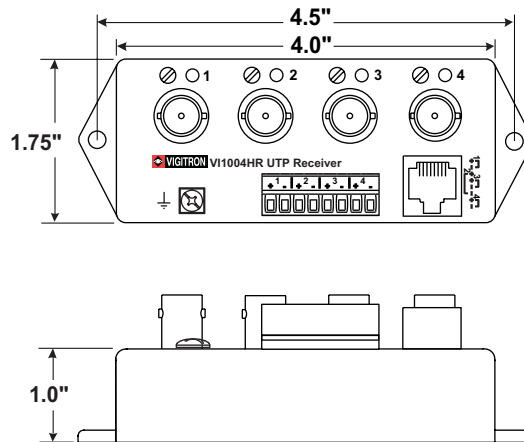
## Environmental

Humidity	0 to 95%, non-condensing
temperature	Operating: -10C to +70C Storage: -30C to +70C

## Mechanical

Dimensions	1.73x4.5x1 Inches, 4.4x11.5x2.5 cm (HxWxL)
Weight	0.2 Lb, (100 g)
Material	BlackABS Plastic, UL rating of 94V-0

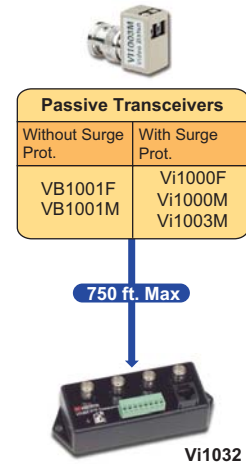
\*It is recommended not to exceed 750 feet (250m) when using with digital equipment.  
\*\*Specifications subject to change without notice.



## Ordering Information

PART No.	Description
Vi1004	4-Ch Passive Receiver HUB

## System Configuration



## Wire and Cable Recommendations

The Vigitron products are designed to be used with unshielded twisted pair (UTP) wiring. The UTP wire must be 24AWG - 12AWG or Category 2 - 7 cable. Multi-pair cable with an overall shield is acceptable, however individually shielded pairs should be avoided, Multiple UTP Video feeds can be operated in the same communication cable along with telephone, computer, control signals and low power voltages. While UTP video may be routed through punch-down block terminals, any resistive, capacitive or inductive devices (such as T-taps or MOV's) must not be used. For more specific information regarding wire types and proper installation techniques, please contact Vigitron for technical assistance.



TEL (+1) 858-484-5209 • FAX (+1) 858-484-1205  
13906 Sparren Ave. San Diego, CA 92129, USA • info@vigitron.com • www.vigitron.com