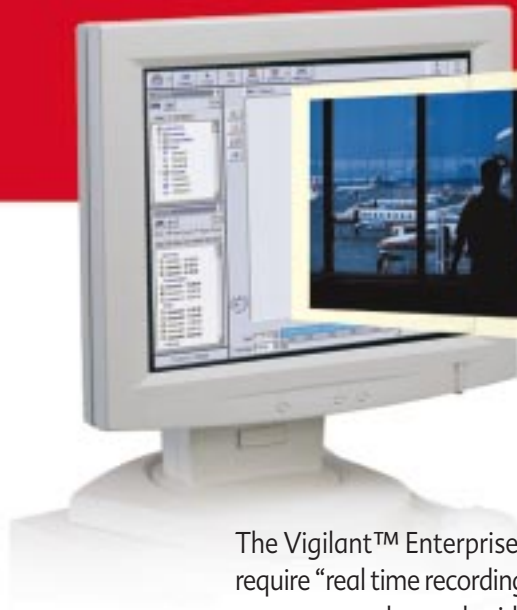


VIGILANT™ Enterprise Series

Advanced Digital Recording



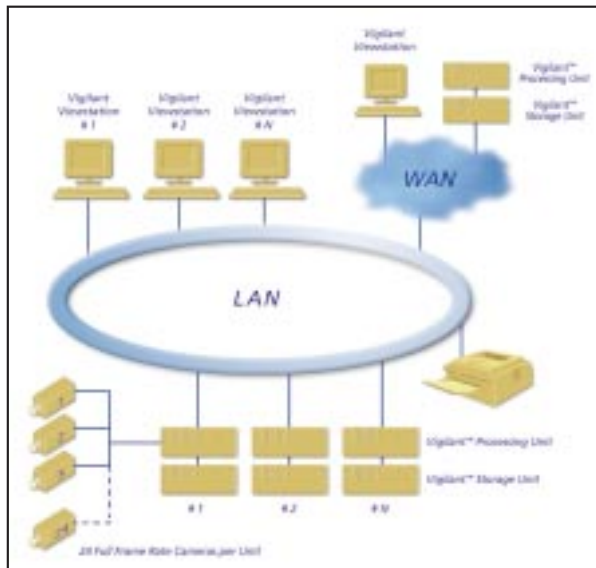


The Vigilant™ Enterprise Series is designed for those demanding security applications that require “real time recording” of video, for all cameras, **all the time**. The Vigilant Enterprise Series processes and records video at 30 frames per second for NTSC video (25 fps PAL). Video is stored on hard drives for immediate access without the inconvenience normally associated with tape storage.

The Vigilant Enterprise Series solution is comprised of the Processing Unit, the Storage Unit and the Viewstation.

The Processing Unit has two main functions: the translation of analog video to a digital signal and the compression of the digital signal, via software, on a specially designed platform incorporating the latest Digital Signal Processors.

A single Vigilant Enterprise Processor can accept up to 24 cameras in 8 camera increments. For larger applications, Processing Units are networked creating a modular system to accommodate any number of CCTV cameras. The Vigilant Enterprise Series is designed with “no single point of failure” architecture; each processing unit functions independently. The Vigilant Enterprise Processing Unit also performs the role of video server for video stored on the Vigilant Storage Unit, allowing for immediate viewing of both live and playback video on any Vigilant Viewstation.



All Vigilant Storage Units contain SCSI hard drives in a RAID array. These units are available in multiple sizes in relation to the total amount of days of storage required per camera. The Storage Units operate on a first in/first out (FIFO) basis in accordance with user specifications. Users also have the ability to lock videos on the hard drive, thus removing them from the normal FIFO storage cycle.

The Vigilant Enterprise Series incorporates video streaming technology, which allows users to view video immediately from any point on the video stream.

The Vigilant Viewstation allows users that are familiar with Microsoft® products to master the graphical user interface (GUI) functions in just a matter of minutes. After login, all functions are easily completed with the simple use of the mouse. The Vigilant Viewstation also includes drag and drop commands along with the standard Microsoft tree for locating cameras and video servers, ultimately providing the easiest system to operate in the security industry today.



VIGILANT™ Enterprise Series

Features

- Recording rate, 30 NTSC /25 PAL frames per second per camera
- 8/16/24 cameras per Processing Unit
- Multicast live viewing over digital networks
- Multiple Viewstations working simultaneously
- View live and playback video on one screen at the same time
- View videos in full screen or quad display
- Immediate playback of video
- Event marking
- Recording scheduler
- Pre and post event recording
- Internal digital video motion detection
- Sherlock™ activity search
- Video export
- Print frame
- Digital zoom
- Fast forward up to 30 times from the original speed
- Slow viewing — frame by frame
- Multi-level security
- Image encryption

Benefits

- Fastest recording rate possible per camera to ensure no loss of events.
- Scalability allows the system to grow as needs increase.
- Allows multiple users to access live or recorded video across the network.
- Multiple operators can work simultaneously on the same network sharing available bandwidth.
- Full duplex ability to view live and playback videos even from the same camera.
- Flexibility to increase video to full screen or view 4 videos simultaneously.
- No need to wait long periods of time to search and download an event.
- Tool that provides specific time and date as to when events occurred.
- Allows administrators to program recording times or event recording for all cameras daily or weekly. Also allows for increased recording duration.
- Enables the user to view video prior to and following an event.
- The ability to sense movement in predefined areas of the field of view, reducing the need for external alarm devices.
- Significantly reduces search time when looking for movement of a specific object.
- Allows video footage to be stored on CD or other storage media. Exported images can also be distributed by e-mail for playback with Windows® Media Player.
- Print video frame to local or networked printer.
- 6x zoom during playback.
- Shortens the amount of time needed to review recorded video. Review an entire day in less than one hour.
- Allows users to analyze each and every frame of recorded video.
- Prevent unauthorized access to the system.
- The process that ensures the integrity of the stored video. This process can be verified by using Vigilant™ Authentication Software.

Technical Specifications

Processing Unit

System Processor

CPU	Min. Pentium III / 600
RAM	128 MB
Operating System	Windows 2000
Compression Standard	MPEG-1
LAN Card	Internal 10 / 100 Base T

Inputs

Video	BNC Type, Multiples of 8, Max. 24 per unit
-------	---

Recording Bit Rate

Variable	Approx 0.4 Mbit / Sec
----------	-----------------------

Recording Rate

NTSC	30 frames per second per camera
PAL	25 frames per second per camera

Picture Size

NTSC	352x240
PAL	352x288

System Administration

Multi-level security

Network Protocol

TCP/IP, UDP/IP	
Connector Type	RJ-45

Electrical

Multi-Std. Power Input	110V/60Hz; 220V/50Hz
Power Consumption	190 Watts

Dimensions

Height	177 mm / 7"
Width	482 mm / 19"
Depth	450.8 mm / 17.7"
Weight	15.5 kg / 34.4 lb without cards 16.5 kg / 36.4 lb full capacity

Case Characteristics

Rack Mount	19"
------------	-----

Storage Unit

Video Storage

Smart RAID SCSI Hard Drive
Optional Tape Jukebox

Electrical

Multi-Std. Power Input	110V/60Hz; 220V/50Hz
Power Consumption	220 Watts

Dimensions

Height	177 mm / 7"
Width	482 mm / 19"
Depth	450.8 mm / 17.7"
Weight	15.5 kg / 34.4 lb without disks 23.5 kg / 51.8 lb full capacity

Case Characteristics

Rack Mount	19"
------------	-----

Certifications

FCC part 15	Class A
Safety Standard	EN 60950
EMC Standards	EN 55022 Class A EN 61000-3-2 EN 61000-3-3 EN 55024

Vigilant™ Viewstation

System Processor

CPU	Min. Pentium III / 600
RAM	128 MB
Operating System	Windows 2000
LAN Card	Internal 10 / 100 Base T
VGA Card	32 MB
Memory	IDE 10GB Floppy Disk 1.44
Backup Device	CDRW

Electrical

Multi-Std. Power Input	110V/60Hz; 220V/50Hz
------------------------	----------------------

- All specifications are subject to change without notice.



Adyoron Intelligent Systems Ltd. 2001 • All rights reserved - All trademarks other than those of Adyoron Intelligent Systems Ltd. are the property of their companies.
• The information contained in this document is accurate at the time of printing. • Please contact your local sales office for the latest up to date information.



ISRAEL Office, Middle East & Africa Sales
Adyoron Intelligent Systems, Ltd.
9 Kehilat Saloniki St.
Tel Aviv, Israel 69513
Tel: (972) 3 649-1110
Fax: (972) 3 648-8849
e-mail: sales@adyoron.com

UK Office, UK Sales
Adyoron UK Ltd.
Unit 13, Lane End Industrial Park
Lane End, Bucks HP14 3BY, UK
Tel: +44 (1494) 880926
Fax: +44 (1494) 882279
e-mail: sales@vigilanttechnology.co.uk

US Office, Worldwide Sales Headquarters
Vigilant Technology, Inc.
720 Valley Ridge Circle, Suite 1
Lewisville, TX 75057
Toll Free: (877) 845-4969
Tel: (972) 221-3030
Fax: (972) 221-3838
e-mail: sales@vigilanttechnology.com

www.vigilanttechnology.com