

# BRACKETS AND ADAPTERS FOR CAMERA HOUSINGS

## WBJA WALL MOUNT

Made of aluminium  
Fully adjustable swivel head  
Load rating: 25kg (55lb)  
Height: 185mm (7.3in)  
Unit weight: 0.6kg (1.3lb)



WBJA

## WBMA WALL MOUNT

Made of aluminium  
Fully adjustable swivel head  
Load rating: 25kg (55lb)  
Length: 204mm (8in)  
Unit weight: 0.5kg (1.1lb)



WBMA

## WBOVA2 WALL MOUNT

Made of aluminium  
Fully adjustable swivel head  
Internal cable management  
Load rating: 25kg (55lb)  
Length: 204mm (8in)  
The sealing rings OWBIP2 or OWBIP3 ensure an IP66 protection to the housing  
Unit weight: 0.6kg (1.3lb)



WBOVA2

## WBOV3A2 WALL BRACKET WITH SUPPORT PLATE AND WEATHERPROOF JUNCTION BOX

Made of aluminium  
Internal cable management directly to the box  
Load rating: 25kg (55lb)  
Length: 204mm (8in)  
The sealing rings OWBIP2 or OWBIP3 ensure an IP66 protection to the housing  
Unit weight: 2.4kg (5.3lb)



WBOV3A2

## WBLA WALL BRACKET FOR HGV

Solid anticorrosive aluminium construction  
Load rating: 70kg (154lb)  
Length: 457.5mm (18.7in)  
Unit weight: 6.6kg (14.5lb)



WBLA

## WCM3A CEILING MOUNT

Made of aluminium  
Fully adjustable swivel head  
Load rating: 15kg (33.5lb)  
Length: 300mm (11.8in)  
Unit weight: 1.8kg (4lb)



WCM3A

## WFWCA PARAPET BRACKET

Made of aluminium  
Fully adjustable swivel head  
Load rating: 15kg (33.5lb)  
Length: 185mm (7.3in)  
Available extension through WFWBTA  
Unit weight: 0.5kg (1.1lb)

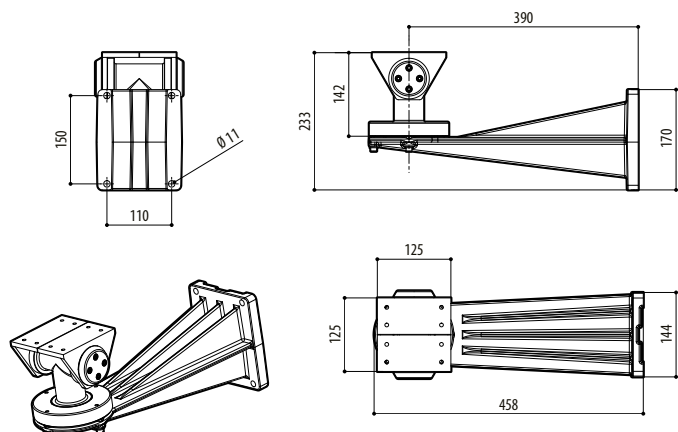


WFWCA

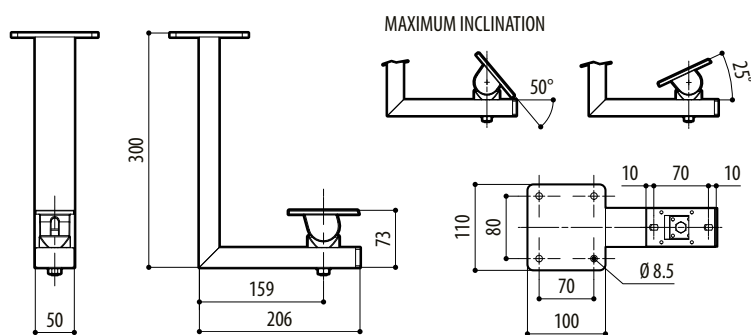




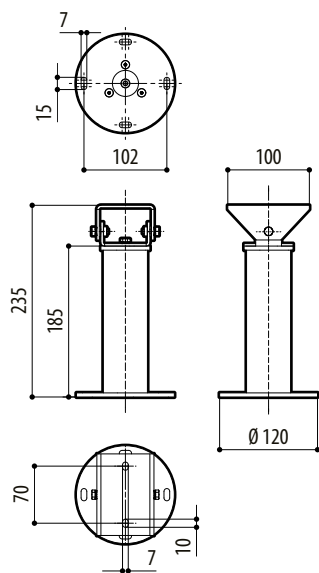
Sizes in millimeters.



WBLA

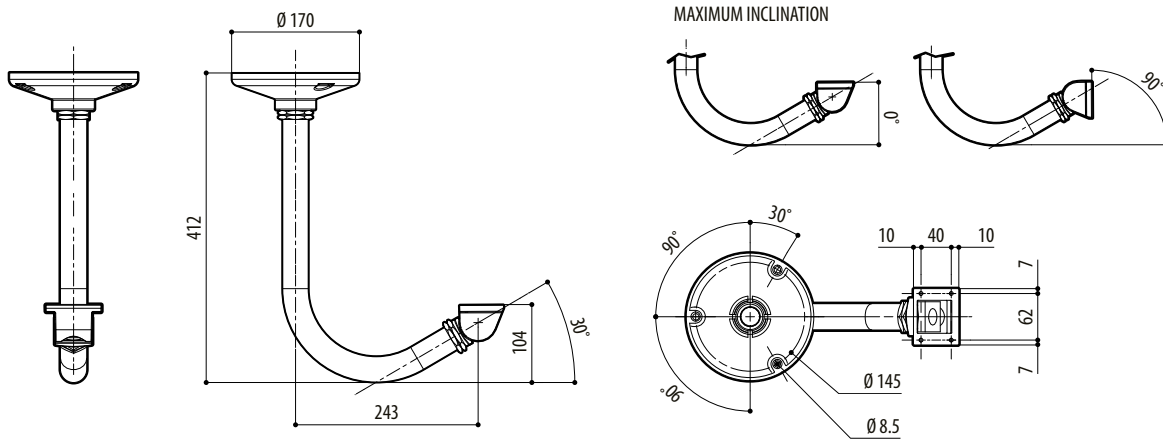


WCM3A

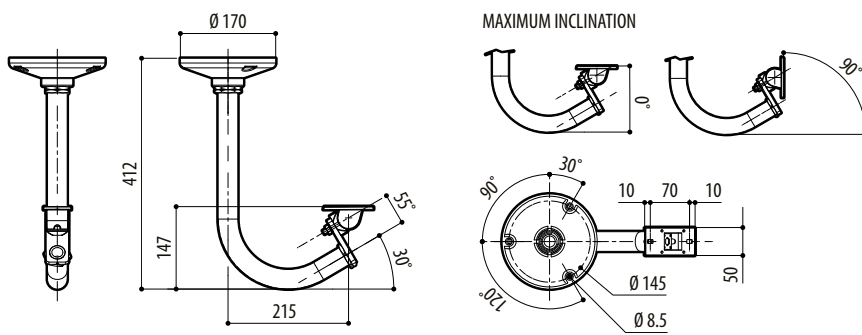


WFWCA

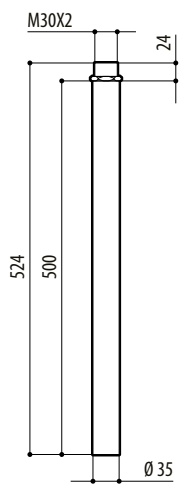
Sizes in millimeters.



WCM4A2

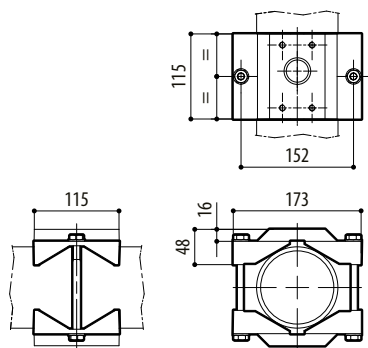


WCM5A

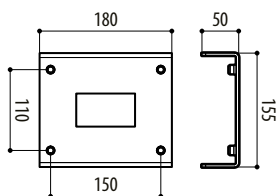


WCM6A

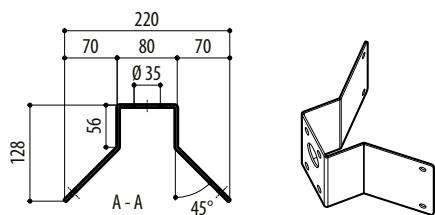
Sizes in millimeters.



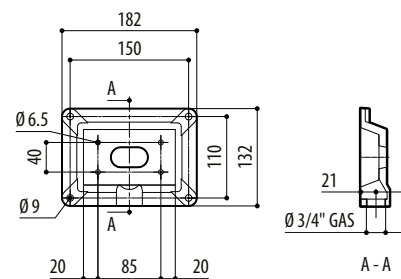
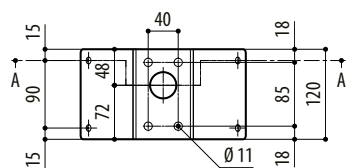
WSFPA



DBHWGC



WCWA



WCPA