

BRACKETS AND ADAPTERS FOR MEDUSA

DBH06 WALL BRACKET FOR MEDUSA DOME

Made of aluminium

Internal cable management

Load rating: 25kg (55lb) (static load)

Unit weight: 1.3kg (2.8lb)



DBH06

DBH07 CEILING/PARAPET BRACKET FOR MEDUSA DOME

Made of aluminium

Internal cable management

Load rating: 25kg (55lb) (static load)

Unit weight: 2.9kg (6.4lb)



DBH07

PTCC1 POLE MOUNT ADAPTOR

Made of aluminium

For pole diameters: 80÷150mm (3÷5.9in)

Load rating: 50kg (110lb) (static load)

Unit weight: 2.6kg (5.7lb)



PTCC1

DBHWGC POLE MOUNT ADAPTOR

Made of steel

For pole diameters: 210÷225mm (8.3÷8.6in)

Load rating: 25kg (55lb) (static load)

Unit weight: 1.2kg (2.6lb)



DBHWGC

WCWGC CORNER MOUNT ADAPTER

Made of steel

Load rating: 50kg (110lb) (static load)

Unit weight: 2.2kg (4.8lb)



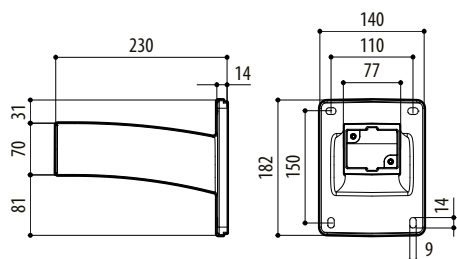
WCWGC

PACKAGE			
Model Number	Weight	Dimensions (WxHxL)	Master carton
DBH06	1.5kg (3.3lb)	24x16x20cm (9x6x8in)	11
Model Number	Weight	Dimensions (WxHxL)	Master carton
DBH07	3.3kg (7.3lb)	14.5x12x35cm (6x5x14in)	8
Model Number	Weight	Dimensions (WxHxL)	Master carton
PTCC1	2.8kg (6.2lb)	14x25.5x20cm (5.5x10x7.9in)	8

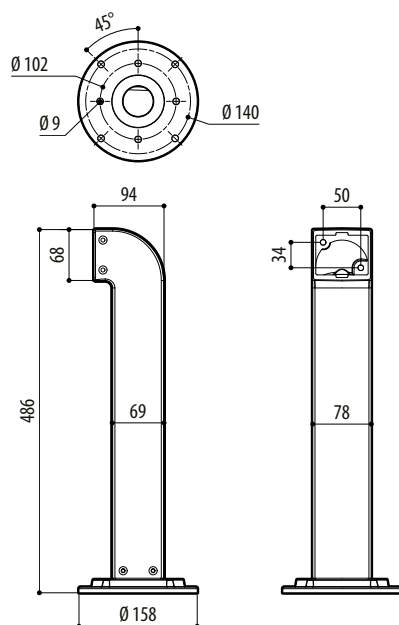
PACKAGE			
Model Number	Weight	Dimensions (WxHxL)	Master carton
DBHWGC	1.5kg (3.3lb)	24x15x22cm (9x6x9in)	10
Model Number	Weight	Dimensions (WxHxL)	Master carton
WCWGC	2.6kg (5.7lb)	24x32x24.5cm (9.4x12.6x9.6in)	8

TECHNICAL DRAWINGS

Sizes in millimeters.

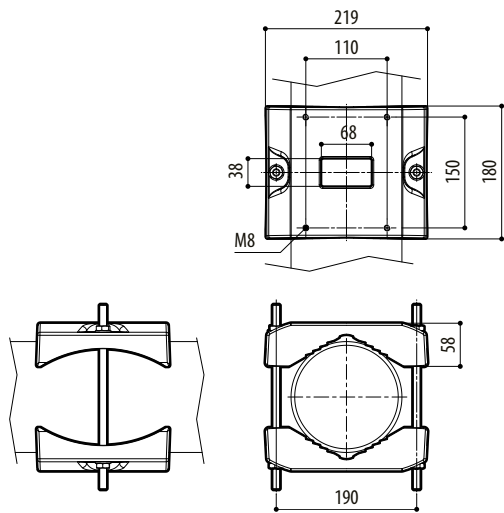


DBH06

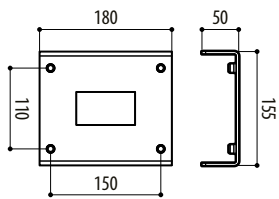


DBH07

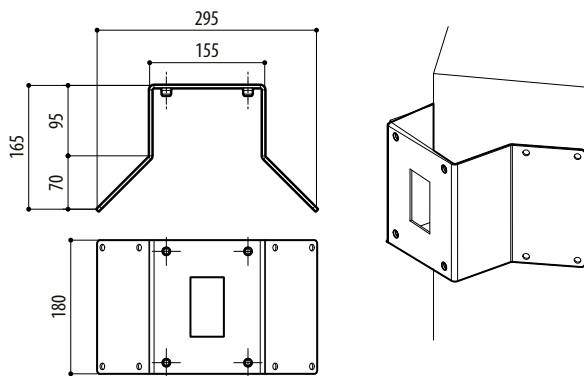
Sizes in millimeters.



PTCC1



DBHWGC



WCWGC

