

ACCESSORIES FOR STAINLESS STEEL CAMERAS AND HOUSINGS

ONXAB2 AIR BARRIER

Made of AISI 316L electropolished stainless steel

Supplied with NXW housing and optional on NXM. Not compatible with NXM36.

NXFIGRU AIR FILTERING GROUP

To be combined with ONXAB2 air barrier to clean the air from oil and water particles, generally coming from the compressor

Filtering of particles with diameter higher than 0.1µm

VIPNX WIPER FOR HOUSING

Made of AISI 316L electropolished stainless steel

IP66/IP67

Different voltages available, 230Vac or 24Vac, both 50/60Hz

Connector 3+1 poles, easy wiring harness

Easy installation on NXM36, NXM and NXL housings



ONXAB2



NXFIGRU



VIPNX

TECHNICAL DATA

ONXAB2 AIR BARRIER

Dimensions (ØxL): 154x21mm (6x0.8in)

Male input 1/2" GAS

Max pressure 2.5 bar, application example:

- air pressure 1 bar, consumption 7m³/h
- air pressure 1.5 bar, consumption 10m³/h
- air pressure 2 bar, consumption 12m³/h
- air pressure 2.5 bar, consumption 14m³/h

Unit weight: 1.6kg (3.5lb)

NXFIGRU AIR FILTERING GROUP

3 filters in cascade (20µm, 5µm, 0.1µm)

Dimensions: 227x275x104mm (8.9x10.8x4in)

Female input and output: 1/2" GAS

Input pressure: 10bar max

Output pressure: 6bar max

Output pressure recommended: from 0.3bar up to 2.5bar

Filtering: 0.1µm

Unit weight: 2.5kg (5.5lb)

Operating temperature: +50°C (122°F) max

VIPNX WIPER FOR HOUSING

Wiperblade and enclosure constructed from AISI 316L stainless steel

Dimensions (ØxL): 100x169mm (3.9x6.7in) (not comprehensive of blade)

Unit weight: 1.7kg (3.7lb)

Connector 3+1 pins

IN 230Vac, consumption 7W max

IN 24Vac, consumption 7W max

IP protection degree: EN60529 (IP66/IP67)

EAC certification

PART NUMBER

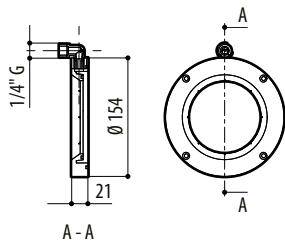
ONXAB2	Air barrier with tempered glass included for NXM and NXW housings
NXFIGRU	Filtering group for compressed air cleaning
VIPNX1C	230Vac stainless steel wiper for NXM housing
VIPNX2C	24Vac stainless steel wiper for NXM housing
VIPNXL1C	230Vac stainless steel wiper for NXL housing
VIPNXL2C	24Vac stainless steel wiper for NXL housing

PACKAGE

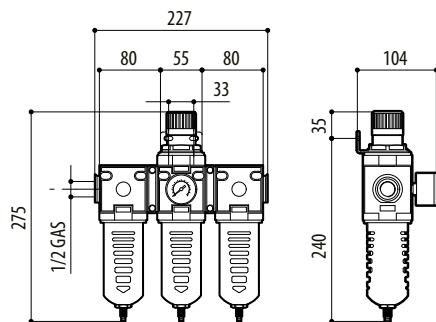
Model Number	Weight	Dimensions (WxHxL)	Master carton
ONXAB2	1.8kg (4lb)	14x25.5x20cm (5.5x10x7.9in)	-
NXFIGRU	3kg (6.6lb)	34.5x24x15.5cm (13.6x9.4x6.1in)	-
VIPNX1C	1.9kg (4.2lb)	14.5x15x27cm (6x6x11in)	15

TECHNICAL DRAWINGS

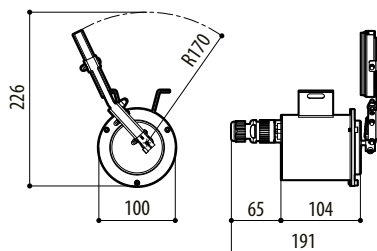
The dimensions of the drawings are in millimetres.



ONXAB2



NXFIGRU



VIPNX