

# ACCESSORIES FOR ULISSE RANGE

## UPTIRN LED ILLUMINATOR

Vandalproof protection (IK10)

The illuminator is supplied in 24Vac/12-24Vdc

Beam pattern: 10°, 30°, 60°

Wavelengths: 850nm, 940nm e white light

Adjustable light intensity

Adjustable built-in photocell

IP66/IP67



UPTIRN

## UPTIRPS230N EXTERNAL POWER SUPPLY FOR ULISSE WITH UPTIRN LED ILLUMINATORS

Power supply IN 230Vac, 50/60Hz

Control to synchronize illuminators with camera Day/Night switching

Twilight sensor included

IP66



UPTIRPS230N

## UPTIRPS120UL EXTERNAL POWER SUPPLY FOR ULISSE WITH UPTIRN LED ILLUMINATORS

Power supply 120Vac, 50/60Hz

Control to synchronize illuminators with camera Day/Night switching

Twilight sensor included

UL listed

IP66



UPTIRPS120UL

## UPTIRPS100N EXTERNAL POWER SUPPLY FOR ULISSE WITH UPTIRN LED ILLUMINATORS

Power supply IN 100Vac, 50/60Hz

Control to synchronize illuminators with camera Day/Night switching

Twilight sensor included

IP66



UPTIRPS100N

## UPTHT REINFORCED HEATER FOR LOW TEMPERATURE APPLICATIONS

UPTHT1 for ULISSE and ULISSE PLUS versions with motorized lens down to -30°C (-22°F). Lenses with operating temperatures down to -20°C (-4°F)

UPTHT2 for ULISSE versions with block camera. Operating temperature down to -30°C (-22°F)



UPTHT1



UPTHT2

## UPTJBUL WEATHERPROOF JUNCTION BOX

For the power supply connection

External mounting from the ULISSE unit

UL listed

IP66



UPTJBUL

## WASPT WASHER PUMP AND 5 OR 23 LITER TANK

Versions with delivery up to 5m (16ft), 11m (36ft), 30m (98ft)

Pump available in 230Vac, 24Vac and 120Vac

In the 11m (36ft) and 30m (98ft) delivery versions the lack of liquid in the tank is signalled following the automatic stop of the pump



WASHERS AND TANKS

**TECHNICAL DATA****UPTIRN LED ILLUMINATOR**

Wavelengths: 850nm, 940nm, white light

Adjustable built-in twilight sensor for automatic activation and deactivation

LED SMD

Die cast aluminium body

Dimensions: 187x111x176mm (7.4x4.4x6.9in)

Unit weight: 1.5kg (3.3lb)

Power supply/Current consumption:

- From 12Vdc a 24Vdc, 2.5A max
- 24Vac, 2.5A max, 50/60Hz

Indoor/Outdoor

Operating temperature: From -40°C (-40°F) a +60°C (140°F)

**CERTIFICATIONS**

Electrical safety: EN60950-1, IEC60950-1

Photobiological safety of lamps and lamp systems: EN62471

Electromagnetic compatibility: IEC CISPR22 (Class A), EN55022 (Class A), FCC Part 15 (Class A)

Immunity: EN50130-4

Outdoor installation: EN60950-22, IEC60950-22

UL certification: cULus Listed (TYPE 4X)

Impact resistance: EN62262 (IK10)

IP protection degree: EN60529 (IP66/IP67)

**UPTIRPS230N EXTERNAL POWER SUPPLY FOR ULISSE WITH UPTIRN LED ILLUMINATORS**

Aluminum case, color RAL7035

Dimensions: See drawing

Unit weight: 6kg (13.3lb)

IN 230Vac, 50/60Hz - OUT 24Vac, 8A

Consumption: 200W max (powering two spots on maximum power)

Built-in light sensitive switch for automatic ON/OFF operation

Output Day/Night (STATUS): dry contact NO

Input cables size: AWG 12-14

Dimensions of signal cables: AWG 20-26

Indoor/Outdoor

IP66

Operating temperature: -40°C / +55°C

**UPTIRPS120UL EXTERNAL POWER SUPPLY FOR ULISSE WITH UPTIRN LED ILLUMINATORS**

Aluminum case, color RAL7035

Dimensions: See drawing

Weight: 6kg (13.3lb)

IN 120Vac, 50/60Hz - OUT 24Vac, 8A

Power consumption: max 200W (feeding two illuminators at full power)

Built-in light sensitive switch for automatic ON/OFF operation

Output Day/Night (STATUS): dry contact NO

Input cables size: AWG 12-14

Dimensions of signal cables: AWG 20-26

Indoor/Outdoor

IP66

Operating temperature: -40°C / +55°C

**CERTIFICATIONS**

Electrical safety: EN60950-1, IEC60950-1

Electromagnetic compatibility: , EN55022 (Class A), FCC Part 15 (Class A)

Immunity: EN50130-4

Outdoor installation: EN60950-22, IEC60950-22

UL certification: cULus Listed (TYPE 4X) version in 120Vac only

**UPTHT REINFORCED HEATER FOR LOW TEMPERATURE APPLICATIONS**

Reinforced heater for generic lens/camera (UPTHT1): IN 24Vac, consumption 30W

Reinforced heater for block camera (UPTHT2): IN 24Vac, 30W

Unit weight: 0.1kg (0.2lb) and 0.2kg (0.4lb) (with block camera)

**UPTJBUL WEATHERPROOF JUNCTION BOX**

Aluminum case, color RAL7035

Cables dimensions: up to 2.5mm<sup>2</sup> (AWG 12-24)

Dimensions: 193x169x82mm (7.6x6.6x3.2in)

Unit weight: 1.6kg (3.5lb)

Compliance to: NEMA 4X

IP66

Indoor / Outdoor

Operating temperature: from -40°C (-40°F) up to +55°C

**WASPT WASHER PUMP AND 5 OR 23 LITER TANK Washer pump, tank of 5l, 5m (16ft) delivery**

Polyethylene tank, stainless steel cage

Dimensions (WxHxL): 217x272x257mm (8.5x10.7x10.1in)

Unit weight: 3.8kg (8.4lb)

Water tank capacity: 5l (1.3gal)

Delivery head: 5m (16ft) max

Tube length: 5m (16ft)

Power supply/Current consumption:

- 230Vac, 0.3A, 50/60Hz
- 120Vac, 0.6A, 50/60Hz
- 24Vac, 1.8A, 50/60Hz

Operating temperatures

- Maximum temperature: 60°C
- Minimum temperature (with antifreeze liquid in solution, full performance): -10° (14°F)
- Minimum temperature (with antifreeze liquid in solution, reduced performance): -25°C

Electrical safety (CE): EN60950-1

Outdoor installation (CE): EN60950-22

IP protection degree: EN60529, IP56

**Washer pump, tank of 23l, 5m (16ft) delivery**

Polyethylene tank, stainless steel cage

Dimensions (WxHxL): 301x410x348mm (11.8x16.1x13.7in)

Unit weight: 5.5kg (12.1lb)

Water tank capacity: 23l (6gal)

Delivery head: 5m (16ft) max

Tube length: 5m (16ft)

Power supply/Current consumption:

- 230Vac, 0.3A, 50/60Hz
- 120Vac, 0.6A, 50/60Hz
- 24Vac, 1.8A, 50/60Hz

Operating temperatures

- Maximum temperature: 60°C
- Minimum temperature (with antifreeze liquid in solution, full performance): -10° (14°F)
- Minimum temperature (with antifreeze liquid in solution, reduced performance): -25°C

Electrical safety (CE): EN60950-1

Outdoor installation (CE): EN60950-22

IP protection degree: EN60529, IP56

**Washer pump, tank of 23l, 11m (36ft) delivery**

Polyethylene tank, stainless steel cage

Dimensions (WxHxL): 301x410x348mm (11.8x16.1x13.7in)

Unit weight: 6.7kg (14.8lb)

Water tank capacity: 23l (6gal)

Delivery head: 11m (36ft) max

Tube length: 11m (36ft)

Power supply/Current consumption:

- 230Vac, 0.5A, 50/60Hz
- 120Vac, 1A, 50/60Hz
- 24Vac, 3.8A, 50/60Hz

Operating temperatures

- Maximum temperature: 60°C
- Minimum temperature (with antifreeze liquid in solution, full performance): -10° (14°F)
- Minimum temperature (with antifreeze liquid in solution, reduced performance): -25°C

Electrical safety (CE): EN60950-1

Outdoor installation (CE): EN60950-22

IP protection degree: EN60529, IP56

**Washer pump, tank of 23l, 30m (98ft) delivery**

Polyethylene tank, stainless steel cage

Dimensions (WxHxL): 301x620x348mm (11.9x24.4x13.7in)

Unit weight: 15.1kg (33.3lb)

Water tank capacity: 23l (6gal)

Delivery head: 30m (98ft) max

Tube length: 30m (98ft)

Power supply/Current consumption:

- 230Vac, 2A, 50/60Hz
- 120Vac, 4.5A, 60Hz

Operating temperatures

- Maximum temperature: 60°C
- Minimum temperature (with antifreeze liquid in solution, full performance): -10° (14°F)

Electrical safety (CE): EN60950-1

IP protection degree: EN60529, IPX4

**PART NUMBER**

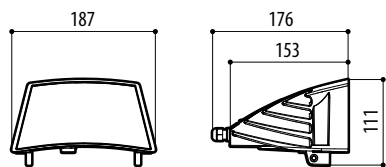
UPTIRN108A00	LED illuminator for ULISSE, 10°, 850nm, 24Vac - 12/24Vdc
UPTIRN308A00	LED illuminator for ULISSE, 30°, 850nm, 24Vac - 12/24Vdc
UPTIRN608A00	LED illuminator for ULISSE, 60°, 850nm, 24Vac - 12/24Vdc
UPTIRN109A00	LED illuminator for ULISSE, 10°, 940nm, 24Vac - 12/24Vdc
UPTIRN309A00	LED illuminator for ULISSE, 30°, 940nm, 24Vac - 12/24Vdc
UPTIRN609A00	LED illuminator for ULISSE, 60°, 940nm, 24Vac - 12/24Vdc
UPTIRN10WA00	LED illuminator for ULISSE, 10°, white light, 24Vac - 12/24Vdc
UPTIRN30WA00	LED illuminator for ULISSE, 30°, white light, 24Vac - 12/24Vdc
UPTIRN60WA00	LED illuminator for ULISSE, 60°, white light, 24Vac - 12/24Vdc
UPTIRPS230N	External power supply for ULISSE series, prearranged for two LED illuminators, and control to synchronize IR illuminators with camera Day/Night switching, IN 230Vac, in weatherproof box. Twilight sensor included.
UPTIRPS100N	External power supply for ULISSE series, prearranged for two LED illuminators, and control to synchronize IR illuminators with camera Day/Night switching, IN 100Vac, in weatherproof box. Twilight sensor included.
UPTIRPS120UL	External power supply for ULISSE series, prearranged for two LED illuminators, and control to synchronize IR illuminators with camera Day/Night switching, IN 120Vac, in weatherproof box. Twilight sensor included.
UPTHT1	Cold pack for low temperature 24Vac, 30W
UPTHT2	Reinforced heater for block camera 24Vac, 30W
UPTJBUL	Junction weatherproof box for cables connexion (according UL norm)
WASPT0V5L5M00	Water tank 5l, pump with delivery up to 5m (16ft), IN 230Vac-24Vac-120Vac
WASPT0V23L5M00	Water tank 23l, pump with delivery up to 5m (16ft), IN 230Vac-24Vac-120Vac
WASPT0V23L11M00	Water tank 23l, pump with delivery up to 11m (36ft), IN 230Vac-24Vac-120Vac
WASPT1V23L30M00	Water tank 23l, pump with delivery up to 30m (98ft) with water floating, IN 230Vac
WASPT3V23L30M00	Water tank 23l, pump with delivery up to 30m (98ft) with water floating, IN 120Vac

**PACKAGE**

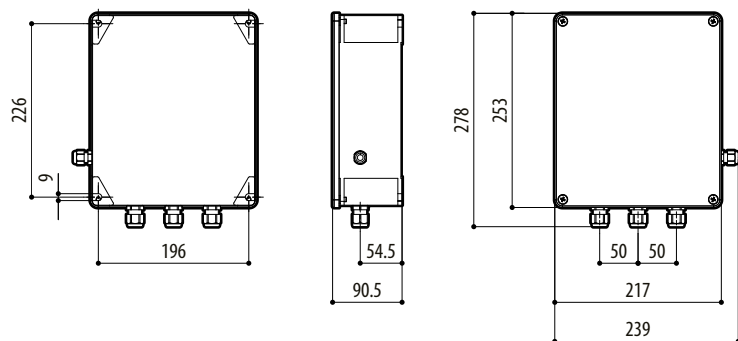
Model Number	Weight	Dimensions (WxHxL)	Master carton
UPTIRPS230N	6kg (13.3lb)	31x31x22cm	-
UPTIRPS100N	6kg (13.3lb)	31x31x22cm	-
UPTIRPS120UL	-	-	-
UPTHT1	0.2kg (0.4lb)	9.5x13.5x19.5cm (3.7x5.3x7.7in)	-
UPTHT2	0.3kg (0,7lb)	9.5x13.5x19.5cm (3.7x5.3x7.7in)	-
UPTJBUL	2kg (4.4lb)	35x37x12.5cm	-
WASPT0V5L5M00	4.3kg	31x31x22cm	-
WASPT0V23L5M00	6.4kg	32x37.5x51cm	-
WASPT0V23L11M00	7.5kg (16.5lb)	32x37.5x51cm	-
WASPT1V23L30M00	15.4kg	38x22x79cm	-

**TECHNICAL DRAWINGS**

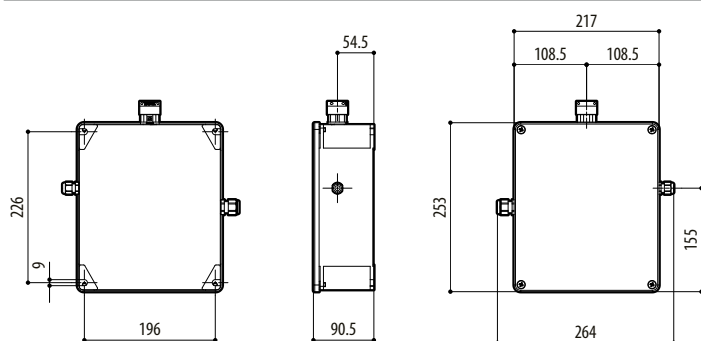
Sizes in millimeters.



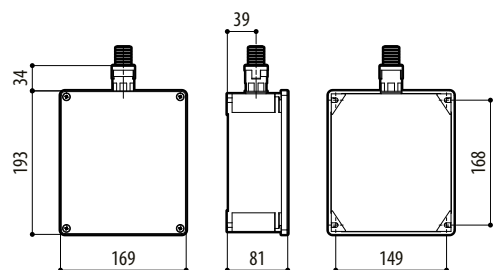
UPTIRN



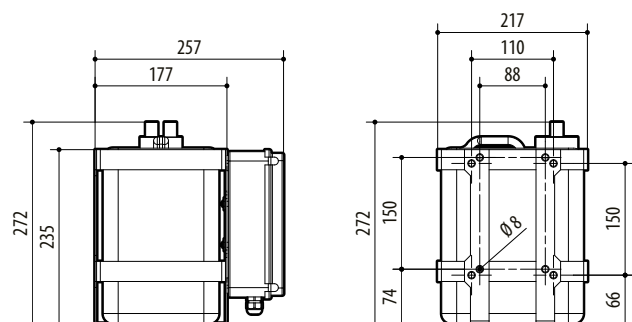
UPTIRPS230N - UPTIRPS100N



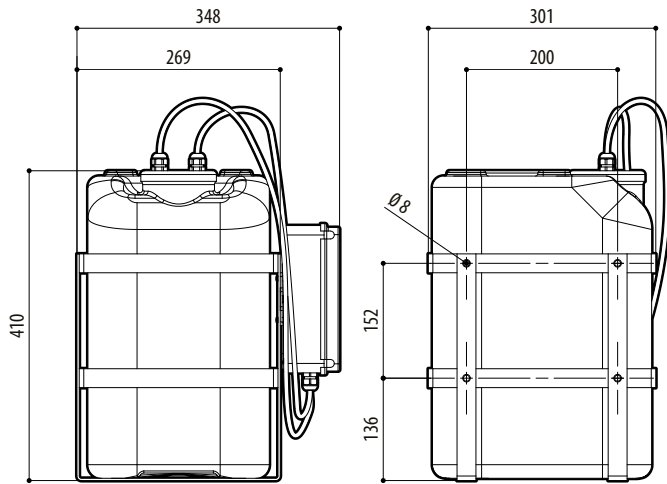
UPTIRPS120UL



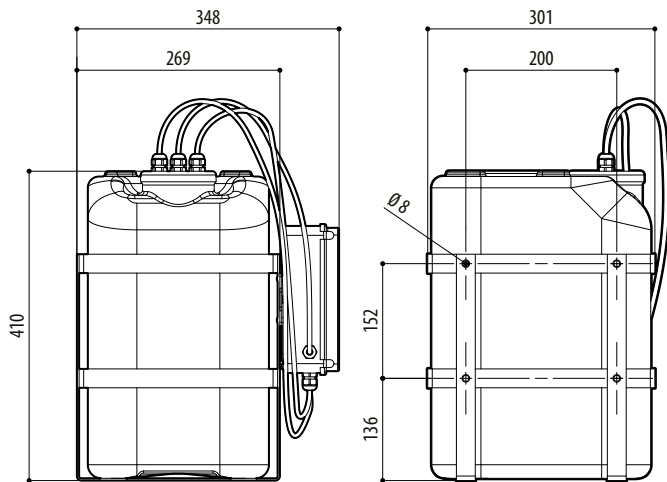
UPTJBUL



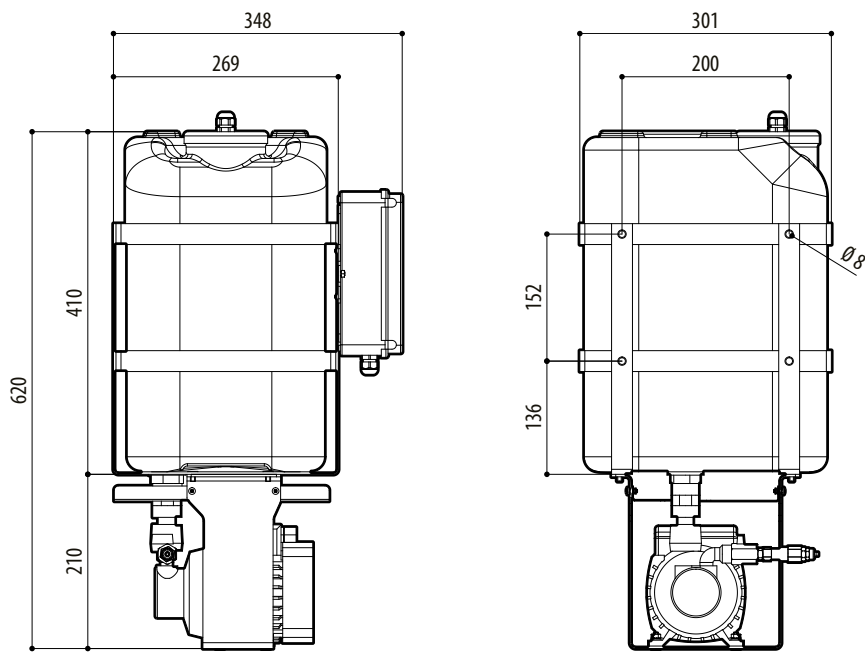
WATER TANK 5L (1.3GAL), 5M (16FT) DELIVERY



WATER TANK 23L (6GAL), 5M (16FT) DELIVERY



WATER TANK 23L (6GAL), 11M (36FT) DELIVERY



WATER TANK 23L (6GAL), 30M (98FT) DELIVERY

