

ACCESSORIES FOR ULISSE RANGE

UPTIRN LED ILLUMINATORS

Vandalproof protection (IK10)

Power supply 24Vac/12-24Vdc

Beam pattern: 10°, 30°, 60°

Wavelengths: 850nm, 940nm, white light

Adjustable light intensity

Adjustable built-in photocell

IP66/IP67

EAC certification

UL listed



UPTIRN

UPTIRPS230N EXTERNAL POWER SUPPLY FOR ULISSE WITH UPTIRN LED ILLUMINATORS

Power supply IN 230Vac, 50/60Hz

Control to synchronize illuminators with camera Day/Night switching

Twilight sensor included

IP66

EAC certification



UPTIRPS230N

UPTIRPS120UL EXTERNAL POWER SUPPLY FOR ULISSE WITH UPTIRN LED ILLUMINATORS

Power supply 120Vac, 50/60Hz

Control to synchronize illuminators with camera Day/Night switching

Twilight sensor included

IP66

UL listed

EAC certification



UPTIRPS120UL

UPTIRPS100N EXTERNAL POWER SUPPLY FOR ULISSE WITH UPTIRN LED ILLUMINATORS

Power supply IN 100Vac, 50/60Hz

Control to synchronize illuminators with camera Day/Night switching

Twilight sensor included

IP66

EAC certification



UPTIRPS100N

UPTHT REINFORCED HEATER FOR LOW TEMPERATURE APPLICATIONS

UPTHT1 for ULISSE and ULISSE PLUS versions with motorized lens down to -30°C (-22°F). Lenses with operating temperatures down to -20°C (-4°F)

UPTHT2 for ULISSE versions with block camera. Operating temperature down to -30°C (-22°F)

EAC certification



UPTHT1



UPTHT2

UPTJBUL WEATHERPROOF JUNCTION BOX

For the power supply connection

External mounting from the ULISSE unit

IP66

EAC certification



UPTJBUL

CAMHD30X ADD-ON CAMERA FOR ULISSE2

Day/Night Full HD 30x

Image Device: 1/2.8 type Exmor™ CMOS sensor

Effective Pixels: approx. 2.38 Megapixels

Minimum Illumination, color (ICR-OFF):

- 1.4lx, 1/30s, 50 IRE (Normal mode)
- 0.35lx, 1/30s, 50 IRE (High sensitivity mode)
- 0.19lx, 1/3s, 50 IRE (Normal mode)
- 0.05lx, 1/3s, 50 IRE (High sensitivity mode)

Minimum Illumination, B/W (ICR-ON):

- 0.05lx, 1/30s, 50 IRE (Normal mode)
- 0.013lx, 1/30s, 50 IRE (High sensitivity mode)
- 0.002lx, 1/3s, 30 IRE (High sensitivity mode)

Lens: f=4.3 mm (wide) ~ 129.0 mm (tele), from F1.6 to F4.7

Optical zoom: 30x (360x with digital zoom)

Horizontal Viewing Angle: 63.7° (wide end), 2.3° (tele end)

Minimum object distance: 10mm (wide) ~ 1200mm (tele)

Electronic Shutter: 1/1 to 1/10000 s, 22 steps

White balance: Auto, ATW, Indoor, Outdoor, Outdoor Auto, Sodium vapor lamp (Fix, Auto, Outdoor Auto), One-push, Manual

Gain: Auto, Manual, Gain Limit (from 3dB up to 43dB, steps: 3dB)

Wide Dynamic Range: On/Off/Visibility enhancer, Light level, Brightness compensation selection, Compensation level

Focus System: Auto (Sensitivity: Normal, Low), Manual, PTZ trigger

Exposure Control: Auto, EV Compensation, Manual, Priority (Shutter priority, Iris priority), Brightness, Slow AE

S/N Ratio: 50dB

Wide-D (wide dynamic range): 130dB

De-fog: On/Off

Speed in proportion to zoom

Zone masking (pan angle or pan/tilt angles)

Electronic stabiliser

Operating temperature when installed in ULISSE2: up to +65°C (149°F)

EAC certification

UL listed

Unit weight: 0.9kg

UPTBVTR ULISSE2 HOUSING UPPER PART WITH ANTI-ICE GLASS AND WIPER

Made of aluminum

EAC certification

UL listed

Unit weight: 3kg (6.6lb)

UPTIRNBKT SUPPORT FOR MOUNTING OF UPTIRN RANGE OF LED ILLUMINATORS FOR ULISSE2

Made of aluminum

Epoxy polyester powder painting, RAL7032 color

EAC certification

Unit weight: 1.8kg (4lb)



CAMHD30X



UPTBVTR



UPTIRNBKT

TECHNICAL DATA**UPTIRN LED ILLUMINATORS**

Wavelengths: 850nm, 940nm, white light

Adjustable built-in twilight sensor for automatic activation and deactivation

LED SMD

Die cast aluminum body

Dimensions: 187x111x176mm (7.4x4.4x6.9in)

Unit weight: 1.5kg (3.3lb)

Power supply/Current consumption:

- from 12Vdc a 24Vdc, 2.5A max
- 24Vac, 2.5A max, 50/60Hz

Indoor/Outdoor

Operating temperature: From -40°C (-40°F) a +60°C (140°F)

CERTIFICATIONS

Electrical safety (CE): EN60950-1, IEC60950-1

Electromagnetic compatibility (CE): EN50130-4, IEC CISPR22 (Class A), EN55022 (Class A), FCC Part 15 (Class A)

Outdoor installation (CE): EN60950-22, IEC60950-22

Photobiological safety (CE): EN62471

IP protection degree: EN60529, (IP66/IP67)

IK protection degree: EN62262 (IK10)

UL certification: cULus Listed (TYPE 4X)

EAC certification

UPTJBUL WEATHERPROOF JUNCTION BOX

Aluminum case, color RAL7035

Cables dimensions: from 0.25mm² (24AWG) up to 4mm² (12AWG)

Dimensions: 193x169x82mm (7.6x6.6x3.2in)

Unit weight: 1.6kg (3.5lb)

Compliance to: NEMA 4X

EAC certification

IP66

Indoor / Outdoor

Operating temperature: from -40°C (-40°F) up to +55°C (131°F)

UPTIRPS230N EXTERNAL POWER SUPPLY FOR ULISSE WITH UPTIRN LED ILLUMINATORS

Aluminum case, color RAL7035

Dimensions: See drawing

Unit weight: 6kg (13.3lb)

IN 230Vac, 50/60Hz - OUT 24Vac, 8A

Consumption: 200W max (powering two spots on maximum power)

Built-in light sensitive switch for automatic ON/OFF operation

Output Day/Night (STATUS): dry contact NO

Cables input section: from 2.5mm² (14AWG) up to 4mm² (12AWG)Cables signal section: from 0.14mm² (26AWG) up to 0.5mm² (20AWG)

Indoor/Outdoor

IP66

Operating temperature: -40°C / +55°C

CERTIFICATIONS

Electrical safety: EN60950-1, IEC60950-1

Electromagnetic compatibility: , EN55022 (Class A), FCC Part 15 (Class A)

Immunity: EN50130-4

Outdoor installation: EN60950-22, IEC60950-22

EAC certification

UPTIRPS100N EXTERNAL POWER SUPPLY FOR ULISSE WITH UPTIRN LED ILLUMINATORS

Aluminum case, color RAL7035

Dimensions: See drawing

Unit weight: 6kg (13.3lb)

IN 100Vac, 50/60Hz - OUT 24Vac, 8A

Consumption: 200W max (powering two spots on maximum power)

Built-in light sensitive switch for automatic ON/OFF operation

Output Day/Night (STATUS): dry contact NO

Cables input section: from 2.5mm² (14AWG) up to 4mm² (12AWG)Cables signal section: from 0.14mm² (26AWG) up to 0.5mm² (20AWG)

Indoor/Outdoor

IP66

Operating temperature: -40°C / +55°C

CERTIFICATIONS

Electrical safety: EN60950-1, IEC60950-1

Electromagnetic compatibility: , EN55022 (Class A), FCC Part 15 (Class A)

Immunity: EN50130-4

Outdoor installation: EN60950-22, IEC60950-22

EAC certification

UPTIRPS120UL EXTERNAL POWER SUPPLY FOR ULISSE WITH UPTIRN LED ILLUMINATORS

Aluminum case, color RAL7035

Dimensions: See drawing

Weight: 6kg (13.3lb)

IN 120Vac, 50/60Hz - OUT 24Vac, 8A

Power consumption: max 200W (feeding two illuminators at full power)

Built-in light sensitive switch for automatic ON/OFF operation

Output Day/Night (STATUS): dry contact NO

Cables input section: from 2.5mm² (14AWG) up to 4mm² (12AWG)

Cables signal section: from 20AWG up to 26AWG

Indoor/Outdoor

IP66

Operating temperature: -40°C / +55°C

CERTIFICATIONS

Electrical safety: EN60950-1, IEC60950-1

Electromagnetic compatibility: , EN55022 (Class A), FCC Part 15 (Class A)

Immunity: EN50130-4

Outdoor installation: EN60950-22, IEC60950-22

UL certification: cULus Listed (TYPE 4X) version in 120Vac only

EAC certification

UPTHT REINFORCED HEATER FOR LOW TEMPERATURE APPLICATIONS

Reinforced heater for generic lens/camera (UPTHT1): IN 24Vac, consumption 30W

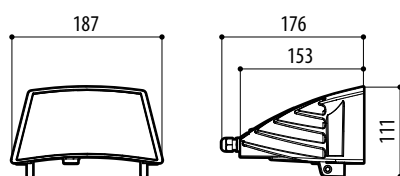
Reinforced heater for block camera (UPTHT2): IN 24Vac, 30W

Unit weight: 0.1kg (0.2lb) and 0.2kg (0.4lb) (with block camera)

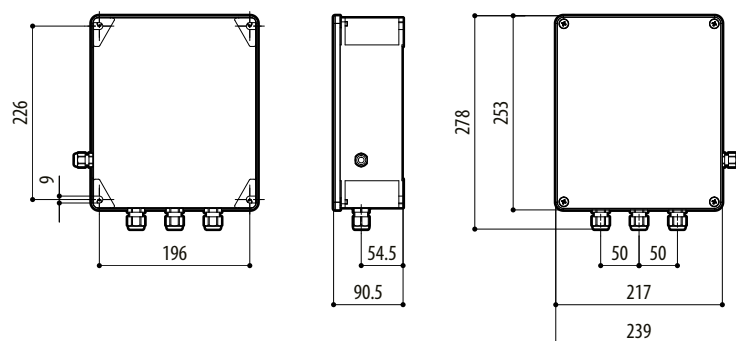
PART NUMBER		PACKAGE			
Model Number	Weight	Dimensions (WxHxL)	Master carton		
UPTIRN108A00	LED illuminator for ULISSE, 10°, 850nm, 24Vac - 12/24Vdc	UPTIRPS230N	6kg (13.3lb)	31x31x22cm	-
UPTIRN308A00	LED illuminator for ULISSE, 30°, 850nm, 24Vac - 12/24Vdc	UPTIRPS100N	6kg (13.3lb)	31x31x22cm	-
UPTIRN608A00	LED illuminator for ULISSE, 60°, 850nm, 24Vac - 12/24Vdc	UPTHT1	0.2kg (0.4lb)	9.5x13.5x19.5cm (3.7x5.3x7.7in)	-
UPTIRN109A00	LED illuminator for ULISSE, 10°, 940nm, 24Vac - 12/24Vdc	UPTHT2	0.3kg (0.7lb)	9.5x13.5x19.5cm (3.7x5.3x7.7in)	-
UPTIRN309A00	LED illuminator for ULISSE, 30°, 940nm, 24Vac - 12/24Vdc	UPTJBUL	2kg (4.4lb)	35x37x12.5cm	-
UPTIRN609A00	LED illuminator for ULISSE, 60°, 940nm, 24Vac - 12/24Vdc	CAMHD30X	1.2kg (2.6lb)	14.5x15x27cm (6x6x11in)	-
UPTIRN10WA00	LED illuminator for ULISSE, 10°, white light, 24Vac - 12/24Vdc	UPTBVTR	3.2kg (7.1lb)	29.5x19.5x49cm (11.6x7.7x3.8in)	-
UPTIRN30WA00	LED illuminator for ULISSE, 30°, white light, 24Vac - 12/24Vdc	UPTIRNBKT	2kg (4.4lb)	36.5x25.5x26cm (14.4x10x10.2in)	-
UPTIRN60WA00	LED illuminator for ULISSE, 60°, white light, 24Vac - 12/24Vdc				
UPTIRPS230N	External power supply for ULISSE series, prearranged for two LED illuminators, and control to synchronize IR illuminators with camera Day/Night switching, IN 230Vac, in weatherproof box. Twilight sensor included.				
UPTIRPS100N	External power supply for ULISSE series, prearranged for two LED illuminators, and control to synchronize IR illuminators with camera Day/Night switching, IN 100Vac, in weatherproof box. Twilight sensor included.				
UPTIRPS120UL	External power supply for ULISSE series, prearranged for two LED illuminators, and control to synchronize IR illuminators with camera Day/Night switching, IN 120Vac, in weatherproof box. Twilight sensor included.				
UPTHT1	Cold pack for low temperature 24Vac, 30W				
UPTHT2	Reinforced heater for block camera 24Vac, 30W				
CAMHD30X	Add-on camera Full HD1080p, 30x (4.3-129mm), 60fps, temperature up to +65°C (149°F)				
UPTBVTR	ULISSE2 housing upper part with anti-ice glass and wiper				
UPTIRNBKT	Support for mounting of UPTIRN range of LED illuminators				

TECHNICAL DRAWINGS

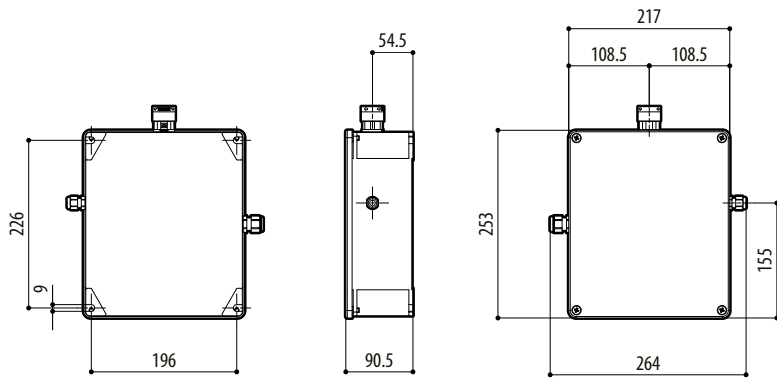
Sizes in millimeters.



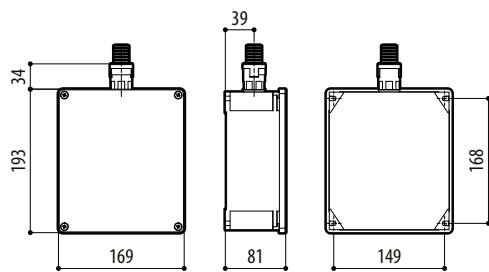
UPTIRN



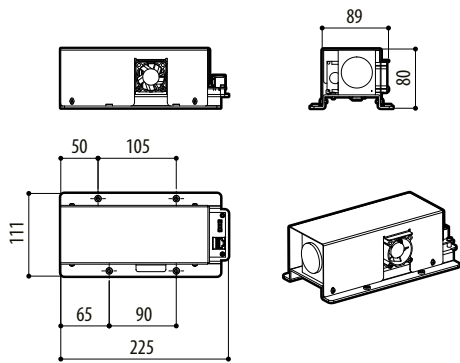
UPTIRPS230N - UPTIRPS100N



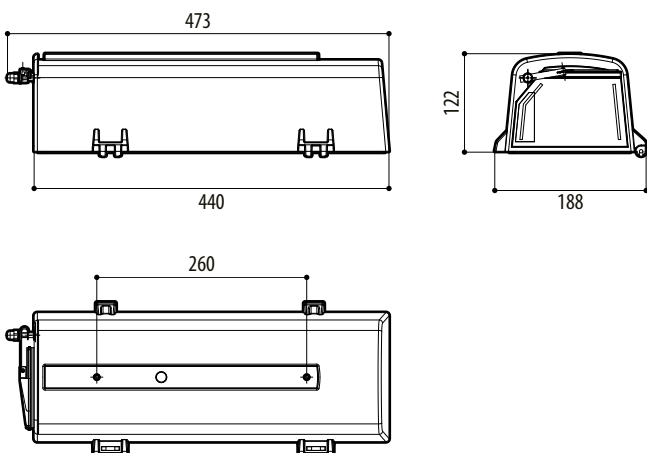
UPTIRPS120UL



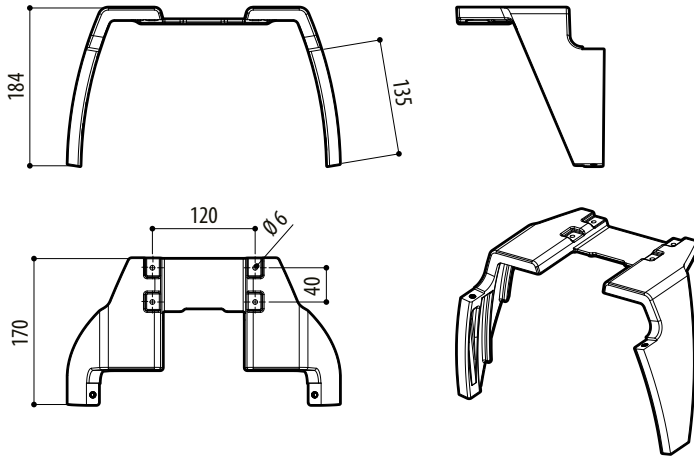
UPTJBUL



CAMHD30X



UPTBVTR



UPTIRNBKT