

ULISSE PLUS

OUTDOOR PTZ UNIT FOR CAMERAS WITH MEDIUM SIZE LENSES



MAIN FEATURES

Variable speed: 0.02°-100°/s Pan; 0.02°-50°/s Tilt
 Variable speed with UPTIRN LED illuminators: Pan 0.02°-40°/s - Tilt 0.02°-30°/s
 Horizontal continuous rotation, vertical +90°/-40°
 Weatherproof housing for medium/large-size lenses
 IP66
 Optical sensors for absolute positioning feedback
 Position accuracy: 0.02°
 Up to 250 Presets
 Integrated wiper
 Operating temperature: -20°C / +60°C (-4°F / +140°F)
 Power supply available 230Vac, 24Vac or 120Vac

OPTIONS:

IP based control, MPEG4, 25fps, Full D1 (compatible with Milestone XProtect Suite and ONVIF protocol)
 Prearrangement for mounting of two UPTIRN LED illuminators
 Cold pack for low temperature down to -30°C (-22°F)

DESCRIPTION

ULISSE PLUS is a robust and efficient Pan/Tilt/Zoom unit designed to ensure dynamic and non-stop surveillance of large outdoor areas and withstand harsh weather conditions, reducing maintenance to zero.

This model can contain cameras with medium-sized lenses.

The accurate top-mount construction ensures vision beyond the horizon and the continuous rotation on the horizontal axis, combining high speed to absolute tracking accuracy, both in manual mode and in patrol mode.

The unit is equipped with a wiper for removing rain and dust from the front glass; there is a wide selection of jerry cans with washer pump, different capacities and heads.

The IP-based versions can be integrated into a network system, with network control of all PTZ functions.

To ensure detailed images even during the night hours, versions are available with LED illuminators, with infrared light or white light.

ULISSE PLUS is equipped with optical encoders which ensure the accurate control of the position in any condition of use.



ULISSE PLUS



ULISSE PLUS + 2 UPTIRN

TECHNICAL DATA

GENERAL

Built in aluminium and ABS
 Epoxy polyester powder painting, RAL9002 colour
 Top mount (OTT)
 Transmission through toothed belt
 Slip-ring
 Electronic limit switches
 Plug installation thanks to connector and easy replacement on-site
 Zero backlash
 Optical sensors for absolute positioning feedback
 Integrated wiper
 Configuration of telemetry protocol parameters through dip-switch for RS485

MECHANICAL

Cable glands: 3xM16
 Horizontal rotation: continuous
 Vertical rotation: +90° to -40°
 Horizontal speed (variable): from 0.02°/s up to 100°/s (from 0.02°/s up to 40°/s, with LED illuminators)
 Tilt speed (variable): from 0.02°/s up to 50°/s (from 0.02°/s up to 30°/s, with LED illuminators)
 Internal usable area: See drawings
 Enclosure glass window (WxH): 124x112mm (4.9x4.4in)
 Preset accuracy: 0.02°
 Unit weight: 17.3kg (38lb) (17.8kg (39.2lb) with LED illuminators bracket)

ELECTRICAL

Input voltage:
 • 230Vac, 50/60Hz, 100W
 • 24Vac, 50/60Hz, 100W (150-190W max, with LED illuminators)
 • 120Vac, 50/60Hz, 100W
 Current consumption:
 • 230Vac, 0.4A
 • 24Vac, 4A (8A, with LED illuminators)
 • 120Vac, 0.8A
 Input cables size: AWG 16 (24Vac) - AWG 18 (120/230Vac)
 Dimensions of signal cables: AWG 20-26
 Housing standard heater: 24Vac, 20W max
 4 alarm inputs: 10-35Vdc (2 alarm inputs, with LED illuminators)
 2 dry contacts: 50Vdc max or 30Vac @1A (1 dry contact, with LED illuminators)
 Video line: coaxial cable (1Vpp, 750hm)
 Camera power supply: 12Vdc; 800mA
 Power supply to the lens: 6-15Vdc, 200mA max
 Zoom lens controller: polarity inversion and common wire
 Functions: Autopan, Preset, Patrol
 Maximum number of presets for protocol: 250 (VIDEOTECH MACRO)
 15 characters string for Area and Preset titling
 Configuration through OSD

COMMUNICATIONS

RS232 interface for PC control and firmware update
 2-ports RS485: daisy chain configuration or RS232
 Addressable through dip-switch up 255 units
 ULISSE PLUS, IP based control mode:
 • Connection Ethernet port LAN 10/100T

PROTOCOLS

Configuration of telemetry protocol parameters through dip-switch
 AMERICAN DYNAMICS, PANASONIC, PELCO D, VIDEOTECH MACRO, VISTA
 AMERICAN DYNAMICS, PANASONIC, PELCO, VISTA are registered trademarks.

The product may be interfaced with devices not manufactured by VIDEOTECH. It is possible that the interface protocols have changed or are in a different configuration from earlier tested units by VIDEOTECH. VIDEOTECH recommends a test prior to installation. VIDEOTECH will not be liable for any installation costs or lost revenues in the event a compatibility problem will occur.

ULISSE PLUS, IP based control mode:

- Compression MPEG-4
- Image resolution: Full D1 (720x576), VGA (640x480), CIF (352x288), QCIF (176x144)
- Image frame rate max 25fps at Full D1
- Web Server

ENVIRONMENT

Indoor/Outdoor
 Operating temperature (with heater): -20°C (-4°F)/+60°C (140°F)
 Operating temperature (with reinforced heater): -30°C (-22°F)/+60°C (140°F)
 Resistant to salty fog (EN50130-5, EN60068-2-52)
 Surge immunity: up to 2kV line to line, up to 4kV line to earth (Class 4)

CERTIFICATIONS

CE EN60950-1, EN61000-6-3 and EN50130-4
 FCC Part 15, Class B
 IP66 EN60529
 cULus Listed, TYPE 4X(version with IP control mode excluded)

ACCESSORIES

UPTIRN108A00	LED illuminator for ULISSE, 10°, 850nm, 24Vac - 12/24Vdc
UPTIRN308A00	LED illuminator for ULISSE, 30°, 850nm, 24Vac - 12/24Vdc
UPTIRN608A00	LED illuminator for ULISSE, 60°, 850nm, 24Vac - 12/24Vdc
UPTIRN109A00	LED illuminator for ULISSE, 10°, 940nm, 24Vac - 12/24Vdc
UPTIRN309A00	LED illuminator for ULISSE, 30°, 940nm, 24Vac - 12/24Vdc
UPTIRN10WA00	LED illuminator for ULISSE, 10°, white light, 24Vac - 12/24Vdc
UPTIRN30WA00	LED illuminator for ULISSE, 30°, white light, 24Vac - 12/24Vdc
UPTIRN60WA00	LED illuminator for ULISSE, 60°, white light, 24Vac - 12/24Vdc
UPTIRPS230	External power supply for ULISSE and ULISSE PLUS, prearranged for two LED illuminators, and control to synchronize IR illuminators with camera Day/Night switching, IN 230Vac, in weatherproof box. Twilight sensor included.
UPTIRPS120	External power supply for ULISSE and ULISSE PLUS, prearranged for two LED illuminators, and control to synchronize IR illuminators with camera Day/Night switching, IN 120Vac, in weatherproof box. Twilight sensor included.
UPTHT1	Cold pack for low temperature 24Vac, 30W
UPTJBUL	Junction weatherproof box for cables connexion (according UL norm)
WASPTOV5L5M00	Water tank 5l, pump with delivery up to 5m (16ft), IN 230Vac-24Vac-120Vac
WASPTOV23L5M00	Water tank 23l, pump with delivery up to 5m (16ft), IN 230Vac-24Vac-120Vac
WASPTOV23L11M00	Water tank 23l, pump with delivery up to 11m (36ft), IN 230Vac-24Vac-120Vac
WASPT1V23L30M00	Water tank 23l, pump with delivery up to 30m (98ft) with water floating, IN 230Vac
WASPT3V23L30M00	Water tank 23l, pump with delivery up to 30m (98ft) with water floating, IN 120Vac

RELATED PRODUCTS

ALBERT	Encoder for video content analysis and smart system management
SM82A	Video matrix 8 inputs and 2 outputs
SM164B	Video matrix 16 inputs and 4 outputs
SM328B	Matrix 32 inputs and 8 outputs
DCJ	Keyboard for video and telemetry control
DCT	Video and telemetry touch-screen control keyboard
DCZ	Universal control keyboard for PC applications

BRACKETS AND ADAPTORS

UPTWBA	Wall bracket with internal cable channel
UPTWBTAB	Parapet bracket with internal cable channel
PTCC1	Pole mount adaptor
WCWGC	Corner mount adaptor

PACKAGE

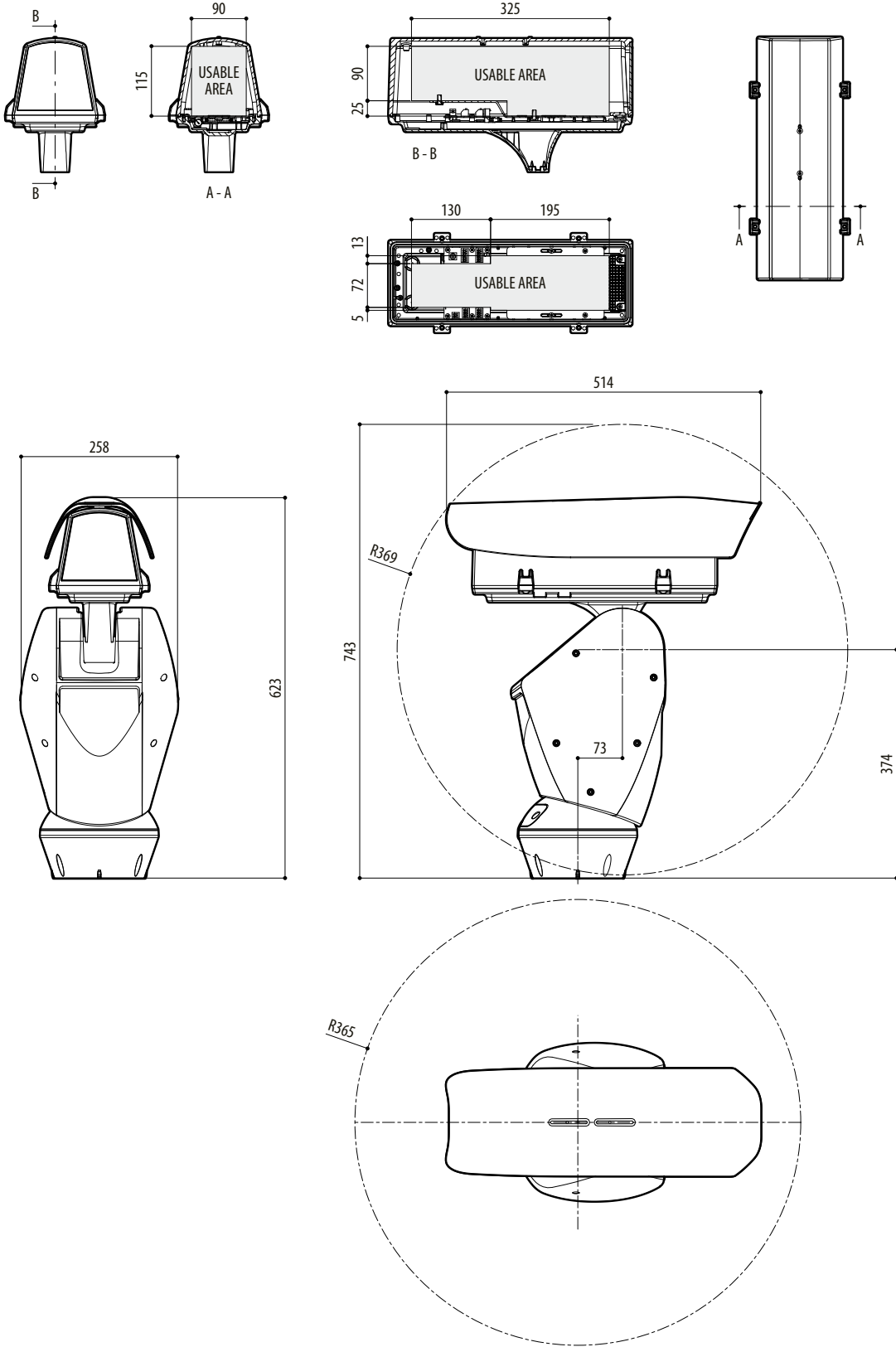
Model Number	Weight	Dimensions (WxHxL)	Master carton
UPT1SMSA000E	20kg (44lb)	66x33x57cm (26x13x22in)	-
UPT1SMWA000E	20.5kg (45lb)	66x33x57cm (26x13x22in)	-
UPT1SMJA000E	21kg (45lb)	66x33x57cm (26x13x22in)	-

ULISSE PLUS - CONFIGURATION OPTIONS

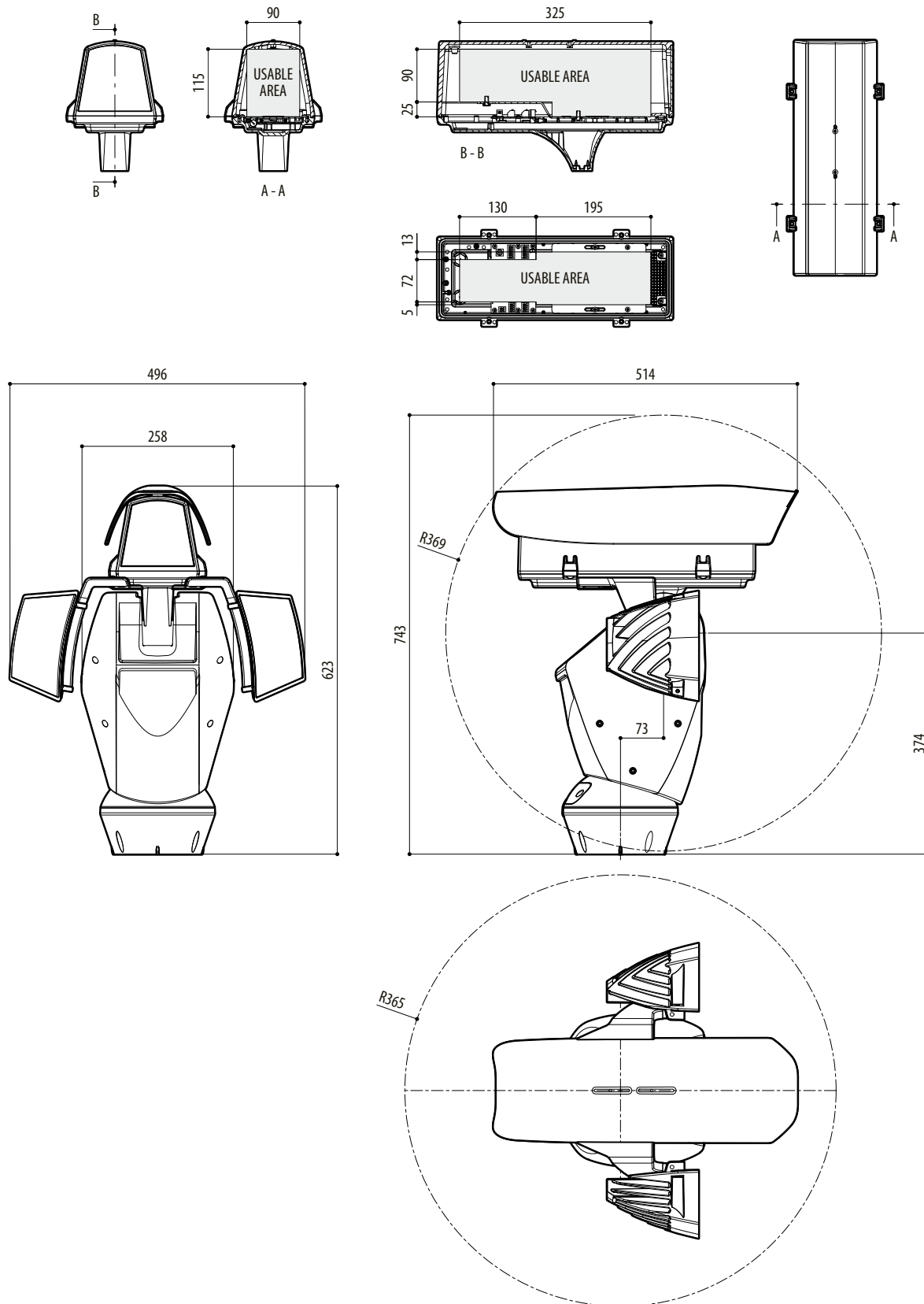
	Voltage		Options		Video output	
UPT	1 230Vac	SM	W With wiper	A	O Analog control	00E
	2 24Vac		J With wiper and brackets for UPTIRN (only 24Vac, illuminators not included)		X IP MPEG4 control	
	3 120Vac					

TECHNICAL DRAWINGS

Sizes in millimeters.



ULISSE PLUS



ULISSE PLUS, PRE-ARRANGED VERSION FOR TWO LED ILLUMINATORS INSTALLATION

