

ULISSE COMPACT

UNIT WITH INTEGRATED DAY/NIGHT CAMERA

MAIN FEATURES

Variable speed: 0.1°-200°/s Pan/Tilt

Horizontal continuous rotation, vertical -90°/+90°

IP66

Day/Night camera 36x, 28x or 10x:

- True Progressive Scan (36x)
- High resolution: up to 550 TVLines
- Advanced image stabilizer (Stable Zoom Mode)
- Day/Night (Auto ICR: automatic removal of IR filter)
- Dynamic video masking of different areas

Preset accuracy: 0.05°

Up to 250 Presets

Operating temperature: -40°C / +60°C (-40°F / +140°F)

Power supply available 230Vac, 24Vac or 120Vac

OPTIONS:

IP based control mode, H.264/AVC, 25fps, Full D1 (compatible with ONVIF protocol, S profile)

Complete front flange with heated glass

LED illuminator

Wiper

DESCRIPTION

Thanks to its characteristics of reliability, robustness and accuracy, this positioning unit is the ideal solution for demanding security applications, including: traffic and highways control, coastal and harbour monitoring, borders, stadiums and industries surveillance, prisons, military installation and perimeter watching.

The area is always monitored, thanks to the speed and detection accuracy of the target. The Pan&Tilt has a function of continuous monitoring and correction of its position: this is useful in case of difficult operating conditions, such as strong winds or vibrations.

The IP-based versions with integrated server for compressing analog data of videos and telemetry allow a network integration for a full control of all the PTZ functions via network. These models support the ONVIF protocol, S profile.

Available also version with built-in LED illuminator for night vision.

The direct access to the terminal block allows a fast wiring of the Pan & Tilt without the use of junction boxes. For the event management a large number of alarm inputs is available.



ULISSE COMPACT + LED ILLUMINATOR



ULISSE COMPACT



ULISSE COMPACT + UCCMA

TECHNICAL DATA

GENERAL

Constructed from aluminium and tecnopolymer
 Epoxypolyester powder painting, RAL9002 colour
 Easy installation thanks to the self-centring connector
 Zero backlash
 Quick configuration and setup
 Dynamic positioning control system

MECHANICAL

Cable glands: 2xM16, 2xM12
 Horizontal rotation: continuous
 Vertical rotation: From -90° to +90°
 Horizontal speed (variable): From 0.1°/s to 200°/s
 Tilt speed (variable): From 0.1°/s to 200°/s
 Preset accuracy: 0.05°
 Unit weight: 12.5kg (28lb) (13kg / 28.7lb with LED illuminator)

ELECTRICAL

Power supply/Current consumption:
 • 230Vac, 0.4A, 50/60Hz
 • 24Vac, 4A, 50/60Hz
 • 120Vac, 0.8A, 50/60Hz

Power consumption:
 • 40W: P&T stopped, heating switched off
 • 60W: P&T in motion, heating switched off
 • 125W: peak at start-up, heating switched on

Input cables size: AWG 16-19
 Dimensions of signal cables: AWG 16-30
 Video line: coaxial cable (1Vpp, 750hm)
 Functions: Autopan, Preset, Patrol, Tour (maximum 3), Autoflip
 Maximum number of presets for protocol
 • AMERICAN DYNAMICS: 95*
 • ERNITEC: 250
 • PANASONIC: 250
 • PELCO D: 99*
 • VIDEOTEC MACRO: 250

*250, from OSD only (On Screen Display)

16-characters string for zone and preset titling

I/O alarm card
 • Alarm inputs: 6
 • Relay outputs: 2 (2A, 30Vac/60Vdc max)

ULISSE COMPACT with LED illuminator:
 • Power consumption (with LED illuminator on): 15W
 • 10° or 30° beam pattern for 36x and 28x camera
 • 30° beam pattern for 18x and 10x cameras
 • Number of LEDs: 9
 • Wavelength: 850nm, 940nm, white light
 • Built-in sensor for self-lighting, through external photocell or from control keyboard
 • The camera and the light beam are factory aligned
 • The pre-installed illuminator does not slow down the P&T's rotation speed

COMMUNICATIONS

Configuration through OSD
 Half-duplex serial RS485 interface, full-duplex RS422 and daisy-chain architecture
 Firmware updating from console in remote mode (only VIDEOTEC MACRO and PELCO D protocols)
 Up to 1023 units, addressable by means of dip-switches
 ULISSE COMPACT, IP based control mode:
 • Connection Ethernet port LAN 10/100T

PROTOCOLS

AMERICAN DYNAMICS, ERNITEC, PANASONIC, PELCO D, VIDEOTEC MACRO
 AMERICAN DYNAMICS, ERNITEC, PANASONIC, PELCO are registered trademarks.
 The product may be interfaced with devices not manufactured by VIDEOTEC. It is possible that the interface protocols have changed or are in a different configuration from earlier tested units by VIDEOTEC. VIDEOTEC recommends a test prior to installation. VIDEOTEC will not be liable for any installation costs or lost revenues in the event a compatibility problem will occur.

ULISSE COMPACT, IP based control mode:
 • Compression H.264/AVC and JPEG
 • Two independent video streams
 • Image resolution: from Full D1 (720x576 for PAL, 720x480 for NTSC) to 352x240 in 18 steps
 • Web Server

ENVIRONMENT

Indoor/Outdoor
 Operating temperatures (with heater): From -40°C (-40°F) to +60°C (140°F)
 Wind resistance
 • Operational: up to 160km/h
 • Stationary: Up to 210km/h
 Surge immunity: Up to 2kV (line to line), up to 4kV (line to earth, Class 4)

CERTIFICATIONS

CE: EN60950-1, EN61000-6-3, EN50130-4
 FCC Part 15, Class B
 EN60529 IP66
 cULus Listed, Type 4X
 • Version with white light LED illuminator excluded
 • Version with IP control mode, pending

ACCESSORIES

OUCHWR	Complete front flange with heated glass for ULISSE COMPACT
WASPT0V5L5M00	Water tank 5l, pump with delivery up to 5m (16ft), IN 230Vac-24Vac-120Vac
WASPT0V23L5M00	Water tank 23l, pump with delivery up to 5m (16ft), IN 230Vac-24Vac-120Vac
WASPT0V23L11M00	Water tank 23l, pump with delivery up to 11m (36ft), IN 230Vac-24Vac-120Vac
WASPT1V23L30M00	Water tank 23l, pump with delivery up to 30m (98ft) with water floating, IN 230Vac
WASPT3V23L30M00	Water tank 23l, pump with delivery up to 30m (98ft) with water floating, IN 120Vac

BRACKETS AND ADAPTORS

UPTWBA	Wall bracket with internal cable channel
UPTWBTA	Parapet bracket with internal cable channel
UCCMA	Ceiling bracket for upside down mounting and working of ULISSE COMPACT

PACKAGE			
Model Number	Weight	Dimensions (WxHxL)	Master carton
UC1ASSA000A	16kg (35lb)	66x33x57cm (26x13x22,5in)	-
UC1AVQA000A (26x13x22,5in)	16.5kg (36.4lb)	-	66x33x57cm

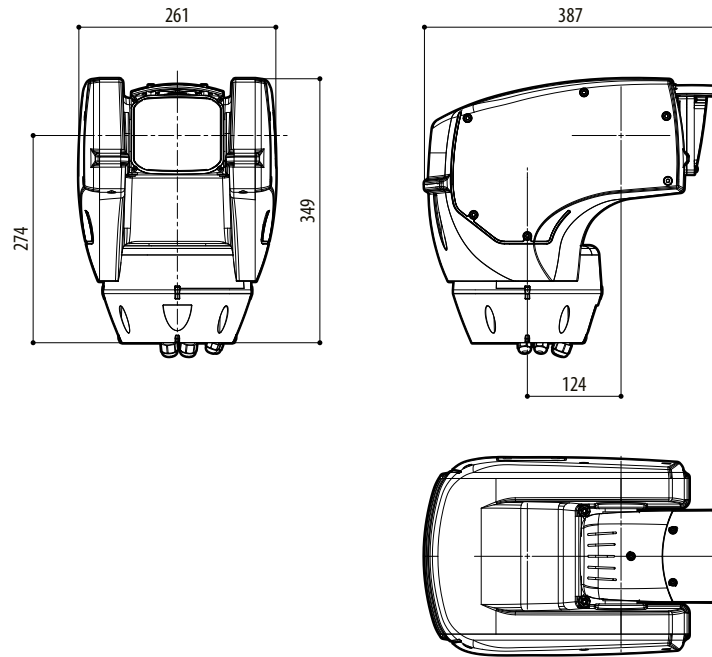
ULISSE COMPACT - CONFIGURATION OPTIONS							
	Voltage	Day/Night camera		Options		Video output	
UC	1 230Vac	P Day/Night camera 36x optical zoom lens, PAL	V With I/O alarm board	S Without accessories	A	0 Analog control mode	00A
	2 24Vac	Q Day/Night camera 28x optical zoom lens, PAL		W With wiper		Z IP H.264/AVC Control mode, Protocol ONVIF Profile S	
	3 120Vac	B Day/Night camera 10x optical zoom lens, PAL		Q With IR LED illuminator 30°, 850nm			
		N Day/Night camera 36x optical zoom lens, NTSC		R With IR LED illuminator 10°, 850nm			
		M Day/Night camera 28x optical zoom lens, NTSC		U With wiper and IR LED illuminator 30°, 850nm			
		K Day/Night camera 10x optical zoom lens, NTSC		T With wiper and IR LED illuminator 10°, 850nm			
				M With IR LED illuminator 10°, 940nm			
				N With wiper and IR LED illuminator IR LED 10°, 940nm			
				Z With wiper and LED illuminator 30°, white light (only with 36x camera)			

CAMERA FEATURES						
	SONY Day/Night 36x		SONY Day/Night 28x High sensitivity		SONY Day/Night 10x High sensitivity	
	PAL	NTSC	PAL	NTSC	PAL	NTSC
Optical zoom	36x		28x		10x	
Wide Dynamic Range (Fix/Auto)	✓		–		–	
True progressive SCAN	✓		–		–	
Digital image stabilisation	✓		✓		–	
White balance	Auto, ATW, Indoor, Outdoor (Fix/Auto), Sodium Vapor Lamp (Fix/Auto)		Auto, ATW, Indoor, Outdoor (Fix/Auto), Sodium Vapor Lamp (Fix/Auto)		Auto, ATW, Indoor, Outdoor	
High horizontal resolution	Up to 550 TV Lines		Up to 550 TV Lines		Up to 530 TV Lines	
Day/Night (Auto ICR)	✓		✓		✓	
Image Sensor	1/4" EXView HAD CCD		1/4" Super HAD CCD II		1/3" Super HAD CCD II	
Number of effective Pixels	~ 440000 pixel	~ 380000 pixel	~ 440000 pixel	~ 380000 pixel	~ 440000 pixel	~ 380000 pixel
Min. Color illumination (IR-Cut Filter = OFF)	1.4Lux / 1/50s 0.1 Lux / 1/3s	1.4Lux / 1/60s 0.1 Lux / 1/4s	0.25Lux / 1/50s 0.16 Lux / 1/3s	0.25Lux / 1/60s 0.16 Lux / 1/4s	0.25Lux / 1/50s 0.015 Lux / 1/3s	0.25lux / 1/60s 0.015 Lux / 1/4s
Min. B/W illumination	0.01 Lux / 1/3s	0.01 Lux / 1/4s	0.0015 Lux / 1/3s	0.0015 Lux / 1/4s	0.0004 Lux / 1/3s	0.0004 Lux / 1/4s
"Shutter Time" automatic increase to improve the night surveillance	✓		✓		✓	
S/N ratio	Greater than 50dB		Greater than 50dB		Greater than 50dB	
AE control	Automatic, Shutter priority, Diaphragm priority, Brightness priority and Manual		Automatic, Shutter priority, Diaphragm priority, Brightness priority and Manual		Automatic, Shutter priority, Diaphragm priority, Brightness priority and Manual	
Back light compensation	On/Off		On/Off		On/Off	
Spherical masking (3D) of Privacy zones with automatic upgrade	✓		✓		✓	
Privacy Zone Masking	On/Off (24 positions)		On/Off (24 positions)		On/Off (24 positions)	
Maximum number of masking blocks to be displayed	8		8		8	
Resolution of masking blocks	160x120 HxV		160x120 HxV		160x120 HxV	
Masking	Up to 15 different masking types: 14 colour types or mosaic		Up to 15 different masking types: 14 colour types or mosaic		Up to 15 different masking types: 14 colour types or mosaic	
Focusing system	Auto (Sensitivity: Normal, Low), Trigger PTZ, Manual		Auto (Sensitivity: Normal, Low), Trigger PTZ, Manual		Auto (Sensitivity: Normal, Low), Trigger PTZ, Manual	
"Smart" lens control	SONY Modular Automatic Lens Reset Technology		SONY Modular Automatic Lens Reset Technology		SONY Modular Automatic Lens Reset Technology	
High Zoom and Wide Horizontal Field of View Capability	✓		✓		–	
Optical zoom	36x, f=3.4 (wide) to 122.4mm (tele) / F1.6 to F4.5		28x, f=3.5 (wide) to 98mm (tele) / F1.35 to F3.7		10x, f=5.1 (wide) to 51mm (tele) / F1.8 to F2.1	
Digital Zoom	12x (432x with optical zoom)		12x (336x with optical zoom)		12x (120x with optical zoom)	
Angle of view (A)	57.8 degrees (wide) to 1.7 degrees (tele)		55.8 degrees (wide) to 2.1 degrees (tele)		52 degrees (wide) to 5.4 degrees (tele)	
Minimum object distance	320mm (12.6in) (wide) to 1500mm (59.1in) (tele)		10mm (0.4in) (wide) to 1500mm (59.1in) (tele)		150mm (5.9in) (wide) to 800mm (31.5in) (tele)	
Electronic Iris Speed	1/1 ÷ 1/10000s		1/1 ÷ 1/10000s		1/1 ÷ 1/10000s	

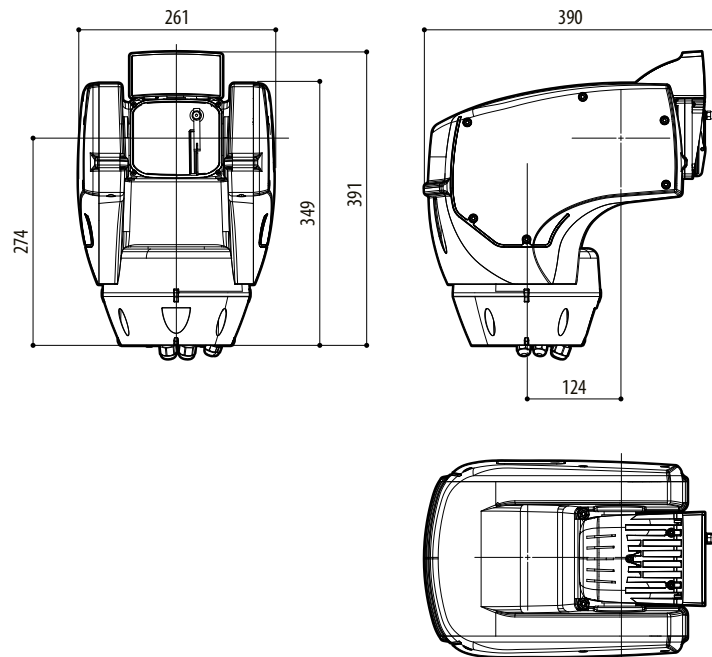
SONY is a registered trademark of SONY Corporation, Japan. EXView HAD is a registered trademark of SONY Corporation.

TECHNICAL DRAWINGS

Sizes in millimeters.



ULISSE COMPACT



ULISSE COMPACT + LED ILLUMINATOR

