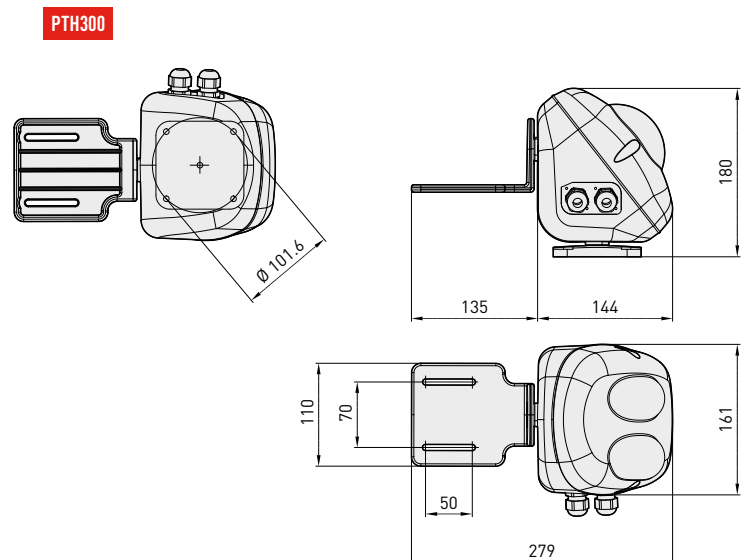
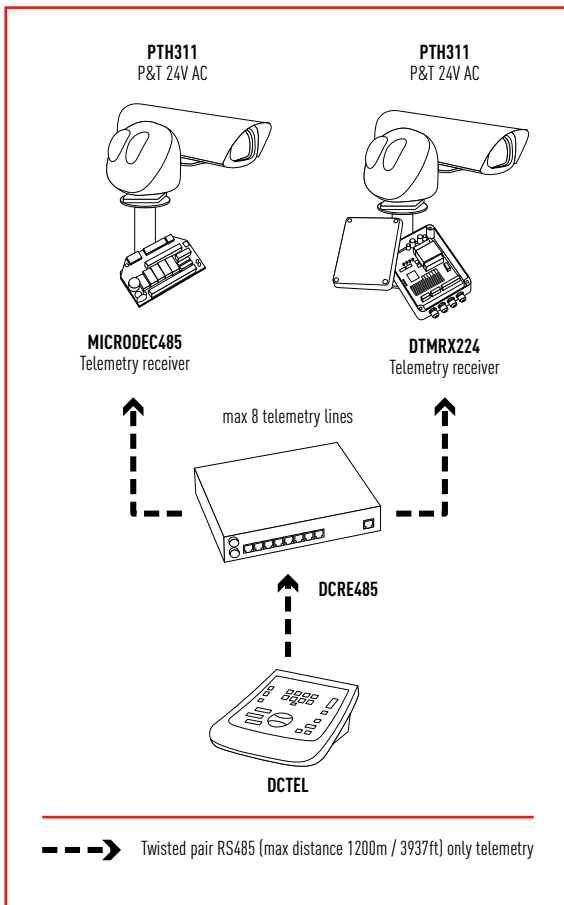




- Outdoor installation
- Die-cast aluminium painted with epoxy powder
- 12kg load rating
- Autopan function with delayed inversion
- Preset optional
- Weatherproof standard IP66
- Patented

The PTH300 Pan & Tilt motor is suitable for medium duty outdoor installations with loads up to 12kg balanced. It is made of die cast aluminium construction protected by epoxy polyester painting RAL9002. It allows a maximum horizontal speed of 6°/s, a vertical speed of 3°/s and an horizontal rotation of 330°, vertical 360°. The Autopan function permits an automatic continual use of the horizontal function. A preset version is also available, equipped with potentiometers, which allows the preset by means of our telemetry systems.

Wide range of controllers are available, ranging from CBZ to the most sophisticated microprocessor controlled telemetry receivers.



The values are in millimeters.

### TECHNICAL DATA

PTH300				
Model	Power supply	Autopan	Preset	Max consumption
PTH310	230V AC	•		14W
PTH311	24V AC	•		14W
PTH310P	230V AC	•	•	14W
PTH311P	24V AC	•	•	14W

### GENERAL

Constructed of corrosion-proof die-cast aluminium  
 Painted with epoxy polyester powder RAL9002  
 Stainless steel screws  
 Mounting position normal / reverse  
 Supplied with side bracket for camera housing, screws, accessories for mounting and instruction manual

### MECHANICAL

Dimensions: 144x161x180mm (5.6x6.3x7in)  
 Maximum load: 12kg (26lb) (balanced)  
 0-330° horizontal plane movement  
 6°/s fixed horizontal speed  
 Pan Torque: 6Nm  
 Internally adjustable horizontal limit switches  
 0-360° vertical plane movement  
 3°/s fixed vertical speed  
 Tilt Torque: 6Nm  
 Backlash: Pan 0.17°, Tilt 0.07°  
 Internally adjustable vertical limit switches  
 1 PG11 cable gland and 1 blanking cap for PTH300 model  
 2 PG11 cable glands for PTH300P model

### ELECTRICAL

Power supply 24/230V AC  
 Consumption horizontal motor 7W max  
 Consumption vertical motor 7W max  
 Standard Autopan  
 Preset potentiometer linear 5Kohm multitrans (10 turns)  
 (only for PTH310P / PTH311P)

### RELATED PRODUCTS

PTAC	Wall bracket for PTH300 P&T
PTDC	Ceiling bracket for PTH P&T series
PTPC	Top pole bracket for PTH P&T series
WFWBTA	Column bracket for PTH P&T series
CBZ220	Unit for direct control of one PTH310
CBZ24	Unit for direct control of one PTH311
MICRODEC485	Telemetry receiver 8 functions for PTH311
DTMRX2	Telemetry receiver 12 functions for PTH310
DTMRX224	Telemetry receiver 12 functions for PTH311
DTRX3	Telemetry receiver 17 functions for series PTH300
DTMRX324	Telemetry receiver 17 functions for PTH311
Housings:	HEA, HEB, HEK, HEM, HOV, HEP, VERSO, VERSO COMPACT

### ENVIRONMENT

Indoor / Outdoor  
 Operating Temperature: -20°C / +50°C (-4°F / 122°F)  
 Resistant to the salt-air fog until 1000 hours (according to ISO9227)

### COMPLIANCE TO

CE according to EN 61000-6-3, EN 50130-4  
 IP66 according to EN 60529

### SPARE PARTS LIST

OPH3MAN	Maintenance kit
DOTPTH300	Installation kit for P&T PTH300



**Unit Weight:**  
 PTH300 3.7kg / 8.2lb

**Package Weight:**  
 PTH300 4.1kg / 9.0lb

**Package Dimension (BxHxL):**  
 PTH300 17.5x27x23cm / 6.9x10.6x9in

**Master Carton:**  
 PTH300 6 units