

ACCESSORIES FOR CAMERA HOUSINGS

KIT RETROFIT WITH IPM TECHNOLOGY ON VERSO AND HOV HOUSINGS

IPM technology (Intelligent Power Management)

PoE/Hi-PoE power supply for heating, demisting, illuminator, fan and PoE network camera

Compatible with IEEE 802.3af, IEEE 802.3at/PoE Plus

HEATER

Thermostatically controlled heating element PTC 20W or 40W (Ton \leq 15°C(59°F); Toff \geq 22°C(72°F))

Available in 12Vdc/24Vac voltage or 120/230Vac voltage

CAMERA POWER SUPPLY

Can be installed inside the housing

Available in different versions, 120/230Vac input and 24Vac/12Vdc output.

BLOWER WITH AIR FILTER

Thermostatically controlled cooling blower Ton \geq 35°C (95°F); Toff \leq 20°C (68°F) and filter

Available in 12Vdc, 24Vac and 230Vac versions

FAN ASSISTED HEATER

Forced air circulation

Homogeneous temperature inside housing

OHGGBB- WEATHERPROOF JUNCTION BOX

IP55

For housing of wiring harnesses or auxiliary boards

VIP6A- WIPER FOR HEG

Can be directly installed on the housing body

Including the support for the washing pump injector

Available in 24Vac and 230Vac, 7W max

For HEG housings series

TAMPER SWITCH ON BOARD FOR HOUSING

With tamper proof screws and key

OWBIP- SEALING RINGS

For cable management bracket

For WBOVA2 and WCM4A2 brackets

IP66/IP67



HI-POE IPM (INTELLIGENT POWER MANAGEMENT) MODULE



HEATER



CAMERA POWER SUPPLY



BLOWER WITH AIR FILTER



WEATHERPROOF JUNCTION BOX



WIPER FOR HEG



ALARM TAMPER SWITCH



SEALING RINGS

TECHNICAL DATA

KIT RETROFIT WITH IPM TECHNOLOGY ON VERSO AND HOV HOUSINGS

Power absorbed in input: PoE class 3 (13W) or Hi-PoE class 4 (25W) selectable from dip switch

Available power for camera (PoE IN class 3): PoE Class 2 (7W)

Available power for camera (Hi-PoE IN class 4): PoE class 3 (13W) with Ton -10°C ±2°C "cold start" function

Data line: 10/100Base-T

Illuminator GEKO IRH, low power: 6W

Heater: 8W, electronically controlled, Ton 20°C±2°C (68°F±4°F), Toff 23°C±2°C (73.4°F±4°F)

Fan with thermostat for camera cooling for versions with double air filter: Ton 35°C±2°C (95°F±4°F), Toff 32°C±2°C (89.6°F±4°F)

Demisting with forced hot air: 5W

Anti-icing heated glass (HOV housing): 5W, Ton 30°C±2°C (86°F±4°F), Toff 33°C±2°C (91.4°F±4°F)

Compatible with IEEE 802.3af, IEEE 802.3at/PoE Plus

Compatible with the Power Injector (OHEPOWINJ: VIDEOTEC optional accessory)

HEATER

IN 12Vdc/24Vac, consumption 20W max

IN 120/230Vac, consumption 40W max

CAMERA POWER SUPPLY

Camera power supply:

IN 100-240Vac, 50/60Hz - OUT 12Vdc, 1.25A

IN 230Vac, 50/60Hz - OUT 12Vdc, 400mA

IN 230Vac, 50Hz - OUT 24Vac, 50Hz, 400mA

Camera power supply in weatherproof box:

IN 100-240Vac, 50/60Hz - OUT 12Vdc, 1.25A

IN 230Vac, 50Hz - OUT 24Vac, 50Hz, 400mA

BLOWER WITH AIR FILTER

Blower with thermostat and air filter, (Ton >= 35°C; Toff <= 20°C)

IN 12Vdc, consumption 4W max

IN 24Vac, consumption 4W max

IN 230Vac, consumption 4W max, complete with voltage transformer

Not compatible with bracket with internal cable channel

FAN ASSISTED HEATER

IN 12Vdc, consumption 4W max

IN 24Vac, consumption 4W max

IN 230Vac, consumption 4W max, complete with voltage transformer

OHEGBB- WEATHERPROOF JUNCTION BOX

4 PG9 cable glands

IP55

Unit weight: 0.4kg (0,9lb)

VIP6A- WIPER FOR HEG

Enclosure from reinforced polypropylene

Wiper blade constructed from stainless steel/aluminium

RAL9002 Colour

IP66

Dimensions (WxHxL): 99x114x209mm (3.9x4.5x8.2in) (not comprehensive of blade)

Unit weight: 0.7kg (1,5lb)

Connector 3+1 PINS

IN 230Vac, consumption 7W max

IN 24Vac, consumption 7W max

Operating temperature: from -20°C (-4°F) up to +60°C (140°F)

EAC certification

PART NUMBER

| | |
|------------|---|
| OHOVPOEIPM | Kit retrofit for IPM technology on HOV housing |
| OHPVPOEIPM | Kit retrofit with IPM technology on VERSO housing |
| OHEH26 | Heater 120Vac/230Vac for HOV, HTV, VERSO, VERSO COMPACT housings |
| OHEH27 | Heating 12Vdc/24Vac for HOV, HTV, HTC, VERSO and VERSO COMPACT housings |
| OHEH24B | Heater 120/230Vac for HEG, HTG housings |
| OHEH25B | Heater 12Vdc/24Vac for HEG, HTG housings |
| OHEH01B | Heater 12Vdc/24Vac for HEB, HEK housings |
| OHEH02B | Heater 120/230Vac for HEB, HEK housings |
| OHOTPS1 | Wide range camera power supply IN 100-240Vac - OUT 12Vdc, 1.25A, for PUNTO housing |
| OHOTPS2 | Camera power supply IN 230Vac - OUT 24Vac, 10VA, for PUNTO housing |
| OHOVPS1B | Wide range camera power supply IN 100-240Vac - OUT 12Vdc, 1.25A, for HOV and HTV housing |
| OHOVPS2B | Camera power supply IN 230Vac - OUT 24Vac, 10VA, for HOV and HTV housings |
| OHEPS19B | Wide range camera power supply IN 100-240Vac - OUT 12Vdc, 1.25A, for VERSO, VERSO POLAR, VERSO COMPACT, HEG, HTG housings |
| OHEPS20 | Camera power supply IN 230Vac - OUT 24Vac, 10VA, for VERSO, VERSO POLAR, VERSO COMPACT, HEG, HTG housings |
| OHEPS01B | Wide range camera power supply IN 100-240Vac - OUT 12Vdc, 1.25A, for HEB housing |
| OHEPS02B | Camera power supply IN 230Vac - OUT 24Vac, 10VA, for HEB housing |
| OHEPS10B | Wide range camera power supply IN 100-240Vac - OUT 12Vdc, 1.25A, for HEK housing |
| OHEPS11B | Camera power supply IN 230Vac - OUT 24Vac, 10VA, for HEK housing |
| OHEGBPS1B | Wide range camera power supply IN 100-240Vac - OUT 12Vdc, 1.25A, in weatherproof box, for VERSO, VERSO POLAR, HEG, HTG housings |
| OHEGBPS2B | Camera power supply IN 230Vac - OUT 24Vac in weatherproof box, 10VA, for VERSO, VERSO POLAR, HEG, HTG housings |
| OHOVV1 | Heater fan assistant, continuous duty, IN 12Vdc, for HOV housing |
| OHOVV2 | Heater fan assistant, continuous duty, IN 24Vac, for HOV housing |
| OHOVV3 | Heater fan assistant, continuous duty, IN 100-240Vac, for HOV housing |
| OHPVV1 | Heater fan assistant, continuous duty, IN 12Vdc, for VERSO and VERSO COMPACT housings |
| OHPVV2 | Heater fan assistant, continuous duty, IN 24Vac, for VERSO and VERSO COMPACT housings |
| OHPVV3 | Heater fan assistant, continuous duty, IN 100-240Vac, for VERSO and VERSO COMPACT housings |
| OHEGBB | Weatherproof junction box |
| VIP6A1 | Wiper 230Vac for HEG housings |
| VIP6A2 | Wiper 24Vac for HEG housings |
| OHOVTA1 | Tamper switch on board with tamper proof screws and key for HOV housing |
| OHPVTA1 | Tamper switch on board with tamper proof screws and key for VERSO housing |
| OWBIP2 | Sealing rings kit (3xM16) IP66/IP67 for WBOVA2 and WCM4A2 brackets for PUNTO, HOV, HTV, HTC, VERSO, VERSO POLAR, VERSO COMPACT, HEB, HEK housings |
| OWBIP3 | Sealing rings kit (1xM12 - 1xM16 - 1xM20) IP66/IP67 for WBOVA2 and WCM4A2 brackets for VERSO Hi-PoE IPM and HOV Hi-PoE IPM housings |

PACKAGE
Model Number Weight Dimensions (WxHxL) Master carton

OHEGBB 0.6kg (1.3lb) 17x35x13cm (6.7x13.8x5in) 16

VIP6A1 0.9kg 14.5x15x27cm (6x6x11in) 15

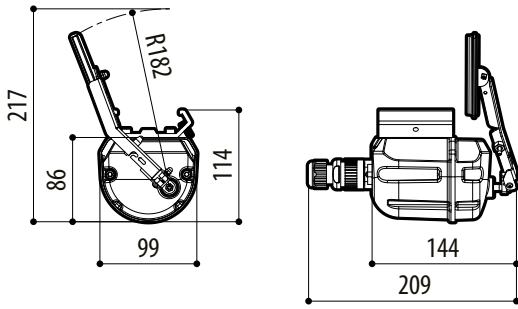
ACCESSORIES COMPATIBILITY

| | PUNTO | HOV | HTV | VERSO | VERSO COMPACT | HEK | HEB | HEG | HTG | HGV |
|--|---------|--|----------|------------|---------------|----------|----------|--|-----------|--|
| Retrofit kit with Hi-PoE IPM technology | – | OHOVPOEIPM | – | OHPVPOEIPM | – | – | – | – | – | – |
| Heater 20W, 12Vdc/24Vac | – | OHEH27 | OHEH27 | OHEH27 | OHEH27 | OHEH01B | OHEH01B | OHEH025B | OHEH025B | – |
| Heater 40W, 120/230Vac | – | OHEH26 | OHEH26 | OHEH26 | OHEH26 | OHEH02B | OHEH02B | OHEH024B | OHEH024B | – |
| Blower with air filter 12Vdc | – | – | – | – | – | – | OHEBVFV1 | – | – | – |
| Blower with air filter 24Vac | – | – | – | – | – | – | OHEBVF2 | – | – | – |
| Blower with air filter 230Vac | – | – | – | OHPVCF3 | – | – | OHEBVF3 | – | – | – |
| Internal camera power supply 100÷240Vac IN, 12Vdc OUT, 1.25A max | OHOTPS1 | OHOVPS1B | OHOVPS1B | OHEPS19B | OHEPS19B | OHEPS10B | OHEPS01B | OHEPS19B | OHEPS19B | – |
| Internal camera power supply 230Vac IN, 24Vac OUT, 400mA max | OHOTPS2 | OHOVPS2B | OHOVPS2B | OHEPS20 | OHEPS20 | OHEPS11B | OHEPS02B | OHEPS20 | OHEPS20 | – |
| Weatherproof box | OHEGBB | OHEGBB | OHEGBB | OHEGBB | OHEGBB | OHEGBB | OHEGBB | OHEGBB | OHEGBB | OHEGBB |
| Camera power supply in weatherproof junction box, 100÷240Vac IN, 12Vdc OUT 1.25A max | – | – | – | OHEGBPS1B | – | – | – | OHEGBPS1B | OHEGBPS1B | – |
| Camera power supply in weatherproof junction box, 230Vac IN, 24Vac OUT, 400mA max | – | – | – | OHEGBPS2B | – | – | – | OHEGBPS2B | OHEGBPS2B | – |
| Wiper kit 24Vac | – | ✓ ¹ | – | – | – | – | – | VIP6A2 | – | ✓ ¹ |
| Wiper kit 230Vac | – | ✓ ¹ | – | – | – | – | – | VIP6A1 | – | ✓ ¹ |
| Washer pump with tank, 24Vac | – | WASOV5L5M00 WASOV23L5M00 WASOV23L11M00 | – | – | – | – | – | WASOV5L5M00 WASOV23L5M00 WASOV23L11M00 | – | WASOV5L5M00 WASOV23L5M00 WASOV23L11M00 |
| Heater fan assistant, continuous duty, 24Vac | – | OHOVV2 | – | OHPVV2 | OHPVV2 | – | – | – | – | – |
| Heater fan assistant, continuous duty, 230Vac | – | OHOVV3 | – | OHPVV3 | OHPVV3 | – | – | – | – | – |
| Alarm tamper switch | – | OHOVTA1 | OHOVTA1 | OHOVTA1 | – | – | – | – | – | – |

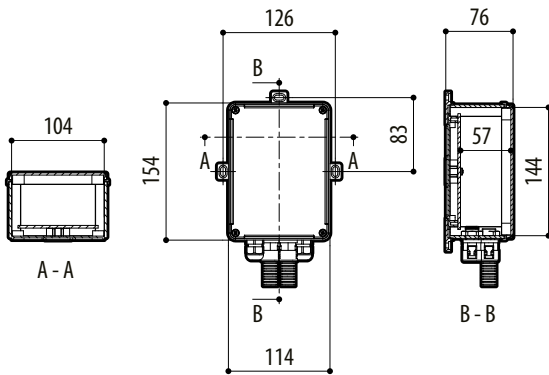
¹ Built-in.

TECHNICAL DRAWINGS

The dimensions of the drawings are in millimetres.



VIP6A



OHEG88