

ACCESSORIES FOR CAMERA HOUSINGS

KIT RETROFIT WITH IPM TECHNOLOGY ON VERSO AND HOV HOUSINGS

IPM technology (Intelligent Power Management)

PoE/Hi-PoE power supply for heating, demisting, illuminator, fan and PoE network camera

Compatible with IEEE 802.3af, IEEE 802.3at/PoE Plus

HEATER

Thermostatically controlled heating element PTC 20W or 40W (Ton \leq 15°C(59°F); Toff \geq 22°C(72°F))

Available in 12Vdc/24Vac voltage or 120/230Vac voltage

CAMERA POWER SUPPLY

Can be installed inside the housing

Available in different versions, 120/230Vac input and 24Vac/12Vdc output.

BLOWER WITH AIR FILTER

Thermostatically controlled cooling blower Ton \geq 35°C (95°F); Toff \leq 20°C (68°F) and filter

Available in 12Vdc, 24Vac and 230Vac versions

FAN ASSISTED HEATER

Forced air circulation

Homogeneous temperature inside housing

OHGGBB- WEATHERPROOF JUNCTION BOX

IP55

For housing of wiring harnesses or auxiliary boards

VIP6A- WIPER FOR HEG

Can be directly installed on the housing body

Including the support for the washing pump injector

Available in 24Vac and 230Vac, 7W max

For HEG housings series

TAMPER SWITCH ON BOARD FOR HOUSING

With tamper proof screws and key

OWBIP- SEALING RINGS

For cable management bracket

For WBOVA2 and WCM4A2 brackets

IP66/IP67



HI-POE IPM (INTELLIGENT POWER MANAGEMENT) MODULE



HEATER



CAMERA POWER SUPPLY



BLOWER WITH AIR FILTER



WEATHERPROOF JUNCTION BOX



WIPER FOR HEG



ALARM TAMPER SWITCH



SEALING RINGS

TECHNICAL DATA

KIT RETROFIT WITH IPM TECHNOLOGY ON VERSO AND HOV HOUSINGS

Power absorbed in input: PoE class 3 (13W) or Hi-PoE class 4 (25W) selectable from dip switch

Available power for camera (PoE IN class 3): PoE Class 2 (7W)

Available power for camera (Hi-PoE IN class 4): PoE class 3 (13W) with Ton -10°C ±2°C "cold start" function

Data line: 10/100Base-T

Illuminator GEKO IRH, low power: 6W

Heater: 8W, electronically controlled, Ton 20°C±2°C (68°F±4°F), Toff 23°C±2°C (73.4°F±4°F)

Fan with thermostat for camera cooling for versions with double air filter: Ton 35°C±2°C (95°F±4°F), Toff 32°C±2°C (89.6°F±4°F)

Demisting with forced hot air: 5W

Anti-icing heated glass (HOV housing): 5W, Ton 30°C±2°C (86°F±4°F), Toff 33°C±2°C (91.4°F±4°F)

Compatible with IEEE 802.3af, IEEE 802.3at/PoE Plus

Compatible with the Power Injector (OHEPOWINJ: VIDEOTEC optional accessory)

HEATER

IN 12Vdc/24Vac, consumption 20W max

IN 120/230Vac, consumption 40W max

CAMERA POWER SUPPLY

Camera power supply:

IN 100-240Vac, 50/60Hz - OUT 12Vdc, 1.25A

IN 230Vac, 50/60Hz - OUT 12Vdc, 400mA

IN 230Vac, 50Hz - OUT 24Vac, 50Hz, 400mA

Camera power supply in weatherproof box:

IN 100-240Vac, 50/60Hz - OUT 12Vdc, 1.25A

IN 230Vac, 50Hz - OUT 24Vac, 50Hz, 400mA

BLOWER WITH AIR FILTER

Blower with thermostat and air filter, (Ton >= 35°C; Toff <= 20°C)

IN 12Vdc, consumption 4W max

IN 24Vac, consumption 4W max

IN 230Vac, consumption 4W max, complete with voltage transformer

Not compatible with bracket with internal cable channel

FAN ASSISTED HEATER

IN 12Vdc, consumption 4W max

IN 24Vac, consumption 4W max

IN 230Vac, consumption 4W max, complete with voltage transformer

OHEGBB- WEATHERPROOF JUNCTION BOX

4 PG9 cable glands

IP55

Unit weight: 0.4kg (0,9lb)

VIP6A- WIPER FOR HEG

Enclosure from reinforced polypropylene

Wiper blade constructed from stainless steel/aluminium

RAL9002 Colour

IP66

Dimensions (WxHxL): 99x114x209mm (3.9x4.5x8.2in) (not comprehensive of blade)

Unit weight: 0.7kg (1,5lb)

Connector 3+1 PINS

IN 230Vac, consumption 7W max

IN 24Vac, consumption 7W max

Operating temperature: from -20°C (-4°F) up to +60°C (140°F)

EAC certification

PART NUMBER

OHOVPOEIPM	Kit retrofit for IPM technology on HOV housing
OHPVPOEIPM	Kit retrofit with IPM technology on VERSO housing
OHEH26	Heater 120Vac/230Vac for HOV, HTV, VERSO, VERSO COMPACT housings
OHEH27	Heating 12Vdc/24Vac for HOV, HTV, HTC, VERSO and VERSO COMPACT housings
OHEH24B	Heater 120/230Vac for HEG, HTG housings
OHEH25B	Heater 12Vdc/24Vac for HEG, HTG housings
OHEH01B	Heater 12Vdc/24Vac for HEB, HEK housings
OHEH02B	Heater 120/230Vac for HEB, HEK housings
OHOTPS1	Wide range camera power supply IN 100-240Vac - OUT 12Vdc, 1.25A, for PUNTO housing
OHOTPS2	Camera power supply IN 230Vac - OUT 24Vac, 10VA, for PUNTO housing
OHOVPS1B	Wide range camera power supply IN 100-240Vac - OUT 12Vdc, 1.25A, for HOV and HTV housing
OHOVPS2B	Camera power supply IN 230Vac - OUT 24Vac, 10VA, for HOV and HTV housings
OHEPS19B	Wide range camera power supply IN 100-240Vac - OUT 12Vdc, 1.25A, for VERSO, VERSO POLAR, VERSO COMPACT, HEG, HTG housings
OHEPS20	Camera power supply IN 230Vac - OUT 24Vac, 10VA, for VERSO, VERSO POLAR, VERSO COMPACT, HEG, HTG housings
OHEPS01B	Wide range camera power supply IN 100-240Vac - OUT 12Vdc, 1.25A, for HEB housing
OHEPS02B	Camera power supply IN 230Vac - OUT 24Vac, 10VA, for HEB housing
OHEPS10B	Wide range camera power supply IN 100-240Vac - OUT 12Vdc, 1.25A, for HEK housing
OHEPS11B	Camera power supply IN 230Vac - OUT 24Vac, 10VA, for HEK housing
OHEGBPS1B	Wide range camera power supply IN 100-240Vac - OUT 12Vdc, 1.25A, in weatherproof box, for VERSO, VERSO POLAR, HEG, HTG housings
OHEGBPS2B	Camera power supply IN 230Vac - OUT 24Vac in weatherproof box, 10VA, for VERSO, VERSO POLAR, HEG, HTG housings
OHOVV1	Heater fan assistant, continuous duty, IN 12Vdc, for HOV housing
OHOVV2	Heater fan assistant, continuous duty, IN 24Vac, for HOV housing
OHOVV3	Heater fan assistant, continuous duty, IN 100-240Vac, for HOV housing
OHPVV1	Heater fan assistant, continuous duty, IN 12Vdc, for VERSO and VERSO COMPACT housings
OHPVV2	Heater fan assistant, continuous duty, IN 24Vac, for VERSO and VERSO COMPACT housings
OHPVV3	Heater fan assistant, continuous duty, IN 100-240Vac, for VERSO and VERSO COMPACT housings
OHEGBB	Weatherproof junction box
VIP6A1	Wiper 230Vac for HEG housings
VIP6A2	Wiper 24Vac for HEG housings
OHOVTA1	Tamper switch on board with tamper proof screws and key for HOV housing
OHPVTA1	Tamper switch on board with tamper proof screws and key for VERSO housing
OWBIP2	Sealing rings kit (3xM16) IP66/IP67 for WBOVA2 and WCM4A2 brackets for PUNTO, HOV, HTV, HTC, VERSO, VERSO POLAR, VERSO COMPACT, HEB, HEK housings
OWBIP3	Sealing rings kit (1xM12 - 1xM16 - 1xM20) IP66/IP67 for WBOVA2 and WCM4A2 brackets for VERSO Hi-PoE IPM and HOV Hi-PoE IPM housings

PACKAGE
Model Number Weight Dimensions (WxHxL) Master carton

OHEGBB 0.6kg (1.3lb) 17x35x13cm (6.7x13.8x5in) 16

VIP6A1 0.9kg 14.5x15x27cm (6x6x11in) 15

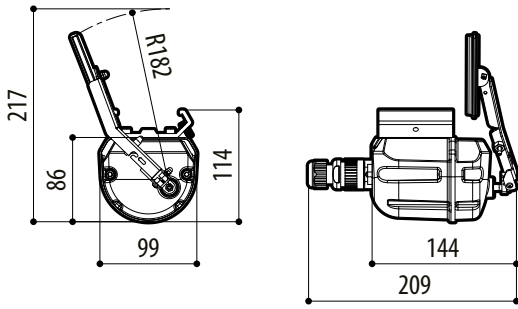
ACCESSORIES COMPATIBILITY

	PUNTO	HOV	HTV	VERSO	VERSO COMPACT	HEK	HEB	HEG	HTG	HGV
Retrofit kit with Hi-PoE IPM technology	–	OHOVPOEIPM	–	OHPVPOEIPM	–	–	–	–	–	–
Heater 20W, 12Vdc/24Vac	–	OHEH27	OHEH27	OHEH27	OHEH27	OHEH01B	OHEH01B	OHEH025B	OHEH025B	–
Heater 40W, 120/230Vac	–	OHEH26	OHEH26	OHEH26	OHEH26	OHEH02B	OHEH02B	OHEH024B	OHEH024B	–
Blower with air filter 12Vdc	–	–	–	–	–	–	OHEBVFV1	–	–	–
Blower with air filter 24Vac	–	–	–	–	–	–	OHEBVF2	–	–	–
Blower with air filter 230Vac	–	–	–	OHPVCF3	–	–	OHEBVF3	–	–	–
Internal camera power supply 100÷240Vac IN, 12Vdc OUT, 1.25A max	OHOTPS1	OHOVPS1B	OHOVPS1B	OHEPS19B	OHEPS19B	OHEPS10B	OHEPS01B	OHEPS19B	OHEPS19B	–
Internal camera power supply 230Vac IN, 24Vac OUT, 400mA max	OHOTPS2	OHOVPS2B	OHOVPS2B	OHEPS20	OHEPS20	OHEPS11B	OHEPS02B	OHEPS20	OHEPS20	–
Weatherproof box	OHEGBB	OHEGBB	OHEGBB	OHEGBB	OHEGBB	OHEGBB	OHEGBB	OHEGBB	OHEGBB	OHEGBB
Camera power supply in weatherproof junction box, 100÷240Vac IN, 12Vdc OUT 1.25A max	–	–	–	OHEGBPS1B	–	–	–	OHEGBPS1B	OHEGBPS1B	–
Camera power supply in weatherproof junction box, 230Vac IN, 24Vac OUT, 400mA max	–	–	–	OHEGBPS2B	–	–	–	OHEGBPS2B	OHEGBPS2B	–
Wiper kit 24Vac	–	✓ ¹	–	–	–	–	–	VIP6A2	–	✓ ¹
Wiper kit 230Vac	–	✓ ¹	–	–	–	–	–	VIP6A1	–	✓ ¹
Washer pump with tank, 24Vac	–	WASOV5L5M00 WASOV23L5M00 WASOV23L11M00	–	–	–	–	–	WASOV5L5M00 WASOV23L5M00 WASOV23L11M00	–	WASOV5L5M00 WASOV23L5M00 WASOV23L11M00
Heater fan assistant, continuous duty, 24Vac	–	OHOVV2	–	OHPVV2	OHPVV2	–	–	–	–	–
Heater fan assistant, continuous duty, 230Vac	–	OHOVV3	–	OHPVV3	OHPVV3	–	–	–	–	–
Alarm tamper switch	–	OHOVTA1	OHOVTA1	OHOVTA1	–	–	–	–	–	–

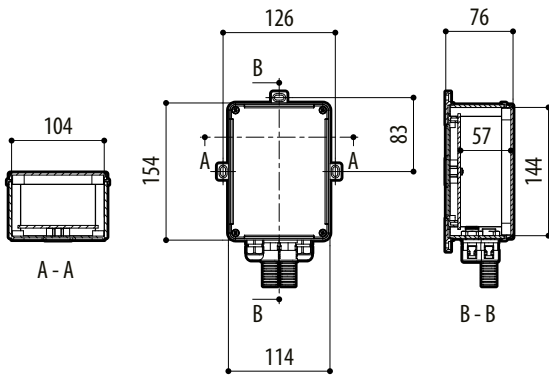
¹ Built-in.

TECHNICAL DRAWINGS

The dimensions of the drawings are in millimetres.



VIP6A



OHEG8B