

NXPTZT

STAINLESS STEEL POSITIONING UNIT WITH INTEGRATED DAY/NIGHT CAMERA AND THERMAL CAMERA



MAIN FEATURES

Electropolished AISI 316L stainless steel

Pre-wired multipolar cable

IP66

Variable speed: 0.1°-100°/s Pan and Tilt

Position accuracy: 0.02°

Dual independent video output

Thermal cameras:

- Sensor: Uncooled microbolometer (VOx)
- Lenses: 50mm, 35mm or 25mm
- Resolution 320x256 or 640x512

Day/Night camera 36x or 28x

- True Progressive Scan
- High resolution: up to 550 TVLines
- Advanced image stabilizer (Stable Zoom Mode)
- Day/Night (Auto ICR: automatic removal of IR filter)

Integrated wiper

Operating temperature: -40°C / +60°C (-40°F / +140°F)

OPTIONS:

IP based control mode, H.264/AVC, 25fps, Full D1 (compatible with ONVIF protocol, Profile S)

DESCRIPTION

The NXPTZT is an exceptional integrated PTZ unit perfect for heavy-duty tasks and ideal to operate in the harshest and most corrosive environments, such as industrial and offshore/onshore marine applications.

This model features a real time dual vision, integrating a Day/Night color module and a thermal imaging camera for security applications in difficult environments, where the event detection is required even in total darkness, through fog, rain, heavy smoke or in the far distance. The two cameras complement and support each other in a surveillance challenging system to ensure that an area is constantly and effectively monitored.

These positioning units guarantee long-term performance, with low maintenance, thanks to the maximum care in the construction processes and the best quality AISI316L, passivated and electropolished. These special treatments create a shell in the surface that makes the product completely impervious to rusting and corrosion.

All models are available in analog or IP version.

The flexible operator control of pan/tilt/zoom functions allows the video transmission over the local area network (LAN) or over the Internet with H.264/AVC compression, compatible with ONVIF Profile S.

The unit is always supplied with integrated wiper for Day/Night camera; wide choice of tanks with washer pump available with different capacities and delivery heights.



NXPTZT



NXPTZT



NXPTZT

TECHNICAL DATA**GENERAL**

AISI 316 stainless steel construction
 Passivated and electropolished external surfaces
 Quick configuration and setup
 Dynamic positioning control system

MECHANICAL

Pre-wired multipolar cable
 Zero backlash
 Horizontal rotation: 360° continuous
 Vertical rotation: -90° to +90°
 Horizontal speed (variable): from 0.1° to 100°/s
 Tilt speed (variable): from 0.1° to 100°/s
 Preset accuracy: 0.02°
 6mm glass window
 1.5mm thick germanium window
 Integrated wiper
 Unit weight: 24kg (53lb)

ELECTRICAL

Power supply/Current consumption:

- 230Vac, 0.52A max, 50/60Hz
- 24Vac, 5A max, 50/60Hz
- 120Vac, 1A max, 50/60Hz

2 video outputs 75 Ohm 1Vpp (PAL/NTSC)

Functions: Autopan, Preset, Patrol, Tour (maximum 3), Autoflip

16-character string for zone and preset titling

I/O alarm card:

- 5 alarm inputs
- 2 relay outputs (1A 30Vac/60Vdc max)

COMMUNICATIONS

Configuration through OSD

2 half-duplex serial RS-485 interfaces or full-duplex RS-422

Firmware updating from console in remote mode (only VIDEOTEC MACRO and PELCO D protocols)

Up to 999 units, addressable by means of dip-switches

NXPTZT, IP based control mode:

- Connection Ethernet port LAN 10/100T

PROTOCOLS

AMERICAN DYNAMICS, ERNITEC, PANASONIC, PELCO D, VIDEOTEC MACRO*

AMERICAN DYNAMICS, ERNITEC, PANASONIC, PELCO are registered trademarks.

The product may be interfaced with devices not manufactured by VIDEOTEC. It is possible that the interface protocols have changed or are in a different configuration from earlier tested units by VIDEOTEC. VIDEOTEC recommends a test prior to installation. VIDEOTEC will not be liable for any installation costs or lost revenues in the event a compatibility problem will occur.

NXPTZT, IP based control mode:

- Compression H.264/AVC and JPEG
- Two independent video streams
- Image resolution: from Full D1 (720x576 for PAL, 720x480 for NTSC) to 352x240 in 18 steps
- Web Server
- Compatible with ONVIF protocol, Profile S

ENVIRONMENT

Indoor/Outdoor

Operating temperature: -40°C (-40°F)/+60°C (140°F)

Installation temperature (not operative): -40°C (-40°F)/+60°C (140°F)

Surge immunity: up to 2kV line to line, up to 4kV line to earth (Class 4)

CERTIFICATIONS

CE: EN60950-1, EN60950-22, EN61000-6-3, EN50130-4

CE: EN55022, Class A

CE: EN60529 IP66

FCC Part 15, Class A

ACCESSORIES

WASPT0V5L5M00	Water tank 5l, pump with delivery up to 5m (16ft), IN 230Vac-24Vac-120Vac
WASPT0V23L5M00	Water tank 23l, pump with delivery up to 5m (16ft), IN 230Vac-24Vac-120Vac
WASPT0V23L11M00	Water tank 23l, pump with delivery up to 11m (36ft), IN 230Vac-24Vac-120Vac
WASPT1V23L30M00	Water tank 23l, pump with delivery up to 30m (98ft) with water floating, IN 230Vac
WASPT3V23L30M00	Water tank 23l, pump with delivery up to 30m (98ft) with water floating, IN 120Vac

BRACKETS AND ADAPTORS

MPXWBA	AISI 316L stainless steel wall bracket
MPXCW	AISI 316L stainless steel corner adapter module
MPXCOL	AISI 316L stainless steel pole adapter module
MPXWBTA	AISI 316L stainless steel parapet or ceiling mounting bracket

PACKAGE

Model Number	Weight	Dimensions (WxHxL)	Master carton
NXPTZT1PVW0X00A	28.5kg (63lb)	54x31x49cm	-

NXPTZT - CONFIGURATION OPTIONS								
	Voltage	Day/Night camera	Thermal camera			Video output		Thermal camera frame rate
NXPTZT	1 230Vac	P Day/Night camera 36x optical zoom lens, PAL	A Thermal camera 35mm - 320x256	W With wiper	0	0 Analog	00A	- 7.5-8.3Hz
	2 24Vac	Q Day/Night camera 28x optical zoom lens, PAL	B Thermal camera 25mm - 320x256			Z IP H.264/AVC, Protocol ONVIF Profile S		H 25-30Hz
	3 120Vac	M Day/Night camera 28x optical zoom lens, NTSC	D Thermal camera 35mm - 640x512					
		N Day/Night camera 36x optical zoom lens, NTSC	E Thermal camera 25mm - 640x512					
			Y Thermal camera 50mm - 320x256					
			W Thermal camera 50mm - 640x512					

CAMERA FEATURES				
	SONY Day/Night 36x		SONY Day/Night 28x High sensitivity	
	PAL	NTSC	PAL	NTSC
Optical zoom	36x		28x	
Wide Dynamic Range (Fix/Auto)	✓		-	
True progressive SCAN	✓		-	
Digital image stabilisation	✓		✓	
White balance	Auto, ATW, Indoor, Outdoor (Fix/Auto), Sodium Vapor Lamp (Fix/Auto)		Auto, ATW, Indoor, Outdoor (Fix/Auto), Sodium Vapor Lamp (Fix/Auto)	
High horizontal resolution	Up to 550 TV Lines		Up to 550 TV Lines	
Day/Night (Auto ICR)	✓		✓	
Image Sensor	1/4" EXView HAD CCD		1/4" Super HAD CCD II	
Number of effective Pixels	~ 440000 pixel	~ 380000 pixel	~ 440000 pixel	~ 380000 pixel
Min. Color illumination (IR-Cut Filter = OFF)	1.4Lux / 1/50s 0.1 Lux / 1/3s	1.4Lux / 1/60s 0.1 Lux / 1/4s	0.25Lux / 1/50s 0.16 Lux / 1/3s	0.25Lux / 1/60s 0.16 Lux / 1/4s
Min. B/W illumination	0.01 Lux / 1/3s	0.01 Lux / 1/4s	0.0015 Lux / 1/3s	0.0015 Lux / 1/4s
"Shutter Time" automatic increase to improve the night surveillance	✓		✓	
S/N ratio	Greater than 50dB		Greater than 50dB	
AE control	Automatic, Shutter priority, Diaphragm priority, Brightness priority and Manual		Automatic, Shutter priority, Diaphragm priority, Brightness priority and Manual	
Back light compensation	On/Off		On/Off	
Spherical masking (3D) of Privacy zones with automatic upgrade	✓		✓	
Privacy Zone Masking	On/Off (24 positions)		On/Off (24 positions)	
Maximum number of masking blocks to be displayed	8		8	
Resolution of masking blocks	160x120 HxV		160x120 HxV	
Masking	Up to 15 different masking types: 14 colour types or mosaic		Up to 15 different masking types: 14 colour types or mosaic	
Focusing system	Auto (Sensitivity: Normal, Low), Trigger PTZ, Manual		Auto (Sensitivity: Normal, Low), Trigger PTZ, Manual	
"Smart" lens control	SONY Modular Automatic Lens Reset Technology		SONY Modular Automatic Lens Reset Technology	
High Zoom and Wide Horizontal Field of View Capability	✓		✓	
Optical zoom	36x, f=3.4 (wide) to 122.4mm (tele) / F1.6 to F4.5		28x, f=3.5 (wide) to 98mm (tele) / F1.35 to F3.7	
Digital Zoom	12x (432x with optical zoom)		12x (336x with optical zoom)	
Angle of view (A)	57.8 degrees (wide) to 1.7 degrees (tele)		55.8 degrees (wide) to 2.1 degrees (tele)	
Minimum object distance	320mm (12.6in) (wide) to 1500mm (59.1in) (tele)		10mm (0.4in) (wide) to 1500mm (59.1in) (tele)	
Electronic Iris Speed	1/1 ÷ 1/10000s		1/1 ÷ 1/10000s	

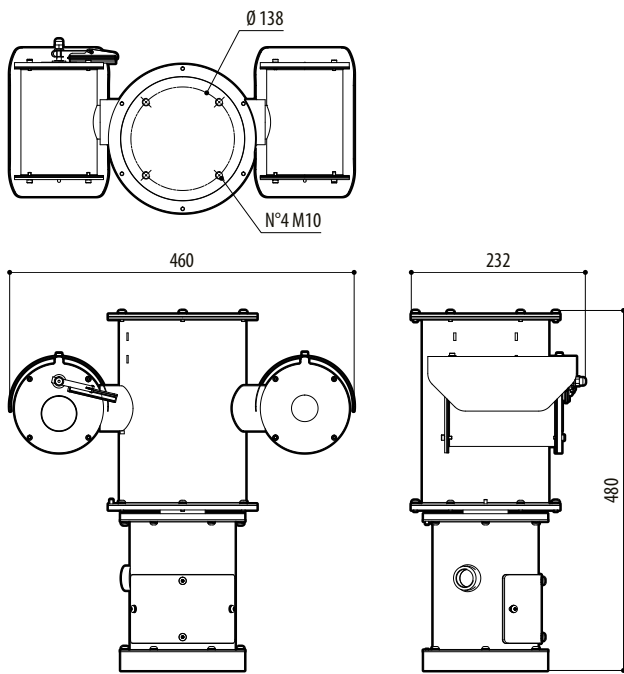
SONY is a registered trademark of SONY Corporation, Japan. EXView HAD is a registered trademark of SONY Corporation.

THERMAL CAMERAS AVAILABLE (RESOLUTION 320X256)						
	Lens 50mm		Lens 35mm		Lens 25mm	
	PAL	NTSC	PAL	NTSC	PAL	NTSC
Image sensor	Uncooled VOx microbolometer		Uncooled VOx microbolometer		Uncooled VOx microbolometer	
Resolution	320x256	320x240	320x256	320x240	320x256	320x240
Pixel dimensions	25µm		25µm		25µm	
Spectral response - long wave infrared (LWIR)	from 7.5µm to 13.5µm		from 7.5µm to 13.5µm		from 7.5µm to 13.5µm	
Internal shutter (only for sensor compensation)	Video stop < 1sec.		Video stop < 1sec.		Video stop < 1sec.	
Digital Detail Enhancement (DDE)	✓		✓		✓	
Digital Zoom	2x, 4x		2x, 4x		2x, 4x	
Image updating frequency	8.3fps	7.5fps	8.3fps	7.5fps	8.3fps	7.5fps
Image updating high frequency	25fps	30fps	25fps	30fps	25fps	30fps
Scene temperature range	-40°C ÷ +160°C (-40°F ÷ +320°F)		-40°C ÷ +160°C (-40°F ÷ +320°F)		-40°C ÷ +160°C (-40°F ÷ +320°F)	
Horizontal field of view	9°		13°		18°	
Vertical field of view	7°		10°		14°	
F-number	F/1.2		F/1.2		F/1.1	
Thermal sensitivity (NEΔT)	< 50mK a f/1.0		< 50mK a f/1.0		< 50mK a f/1.0	
Person (detection / recognition / identification)	1125m / 290m / 145m (3691ft / 951ft / 476ft)		800m / 200m / 105m (2625ft / 656ft / 344ft)		590m / 148m / 75m (1936ft / 486ft / 246ft)	
Auto (detection / recognition / identification)	3100m / 810m / 415m (10171ft / 2657ft / 1361ft)		2250m / 590m / 290m (7382ft / 1936ft / 951ft)		1650m / 430m / 215m (5413ft / 1411ft / 705ft)	

THERMAL CAMERAS AVAILABLE (RESOLUTION 640X512)						
	Lens 50mm		Lens 35mm		Lens 25mm	
	PAL	NTSC	PAL	NTSC	PAL	NTSC
Image sensor	Uncooled VOx microbolometer		Uncooled VOx microbolometer		Uncooled VOx microbolometer	
Resolution	640x512	640x480	640x512	640x480	640x512	640x480
Pixel dimensions	17µm		17µm		17µm	
Spectral response - long wave infrared (LWIR)	from 7.5µm to 13.5µm		from 7.5µm to 13.5µm		from 7.5µm to 13.5µm	
Internal shutter (only for sensor compensation)	Video stop < 1sec.		Video stop < 1sec.		Video stop < 1sec.	
Digital Detail Enhancement (DDE)	✓		✓		✓	
Digital Zoom	2x, 4x		2x, 4x		2x, 4x	
Image updating frequency	8.3fps	7.5fps	8.3fps	7.5fps	8.3fps	7.5fps
Image updating high frequency	25fps	30fps	25fps	30fps	25fps	30fps
Scene temperature range	-40°C ÷ +160°C (-40°F ÷ +320°F)		-40°C ÷ +160°C (-40°F ÷ +320°F)		-40°C ÷ +160°C (-40°F ÷ +320°F)	
Horizontal field of view	12.4°		18°		25°	
Vertical field of view	9.9°		14°		20°	
F-number	F/1.2		F/1.2		F/1.1	
Thermal sensitivity (NEΔT)	< 50mK a f/1.0		< 50mK a f/1.0		< 50mK a f/1.0	
Person (detection / recognition / identification)	1500m / 380m / 190m (4921ft / 1247ft / 623ft)		1140m / 280m / 142m (3740ft / 919ft / 466ft)		820m / 210m / 104m (2690ft / 689ft / 341ft)	
Auto (detection / recognition / identification)	3900m / 1060m / 540m (12795ft / 3478ft / 1772)		3000m / 800m / 200m (9843ft / 2625ft / 656ft)		2200m / 580m / 290m (7218ft / 1903ft / 951ft)	

TECHNICAL DRAWINGS

Sizes in millimeters.



NXPTZT

