



NXPTH + NXMK + VIPNX

- AISI 316 stainless steel construction
- Standard preset option
- For off-shore and industrial application
- Weatherproof standard IP67

Stainless steel Pan & Tilt unit designed for movement on horizontal and vertical axis.

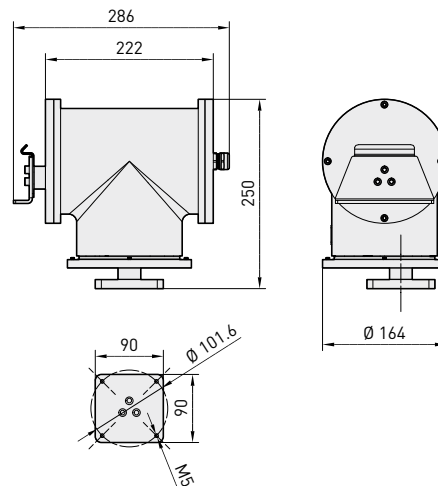
The NXPTH, together with the NXM or NXL stainless steel housing, is built to resist the most severe environments. It was developed for the offshore market, for every type of sea-going vessel, and industrial applications.

Each detail has been carefully analysed, resulting in a reliable product suitable for environments where external agents are highly corrosive. The accurate mechanical construction and reliable motors used reduce the need for maintenance even in situations of heavy mechanical stress.

The NXPTH allows a maximum horizontal/vertical rotation of 340° and is equipped with potentiometers which allow the preset function.



NXPTH



The values are in millimeters.

TECHNICAL DATA

NXP TH			
Model	Power supply	Preset	Max consumption
NXP TH 210	230V AC	•	26W
NXP TH 211	24V AC	•	26W

GENERAL

Made of stainless steel (Austenitic alloy stainless steel, corrosion resistant according to the following standards):

- UNI 6900-71: X 2 Cr Ni Mo 17 12
- AISI: 316L
- DIN 17006: X 2 Cr Ni Mo 18 10
- N° WERKSTOFF: 1.4404
- AFNOR: Z2 CND 17-12
- BSI: 316 S 12

The screws utilised are in austenitic alloy stainless steel, corrosion resistant according to the following standards:

- UNI 6900: X 5 Cr Ni Mo 1712
- AISI: 316
- ISO quality: A4
- Resistance class ISO: 80

Supplied with instruction manual and installation kit

UNI: Ente Nazionale Italiano di Unificazione, AISI: American Iron and Standard Institute, DIN: Deutsche Industrie Normen, AFNOR: Association Française de Normalisation, BSI: British Standard Institution, ISO: International Organization for Standardization

MECHANICAL

Dimensions: 164x250x280mm (6.4x9.8x11in)
 Maximum load: 40kg (88lb) (balanced)
 2 PG13.5 cable glands in nickel-plated brass for external connections
 External body polishing
 O-ring gaskets
 0-340° Horizontal movement
 Horizontal speed 5°/s
 Pan Dynamic Torque 35Nm at specified voltage
 Pan Static Torque 12Nm

Horizontal potentiometer internally adjustable
 0-340° Vertical movement
 Vertical speed 3°/s
 Tilt Dynamic Torque 60Nm at specified voltage
 Tilt Static Torque 24Nm
 Backlash: Pan 0.1°, Tilt 0.16°
 Vertical potentiometer internally adjustable

ELECTRICAL

Power supply IN 24/230V AC, 50/60Hz
 Standard Preset
 Standard vertical and horizontal potentiometers
 Potentiometer linear multitrans (10 turns)
 Horizontal motor consumption 13W max
 Vertical motor consumption 13W max

RELATED PRODUCTS

NXWBPTH1	Heavy duty P&T Stainless Steel wall mount
NXM	Stainless steel housing
NXL	Stainless steel housing
NXJ	Stainless steel housing with adaptor OPTH200ADJB
DTMRX2	Telemetry receiver 12 functions for NXP TH 210 (no preset)
DTMRX224	Telemetry receiver 12 functions for NXP TH 211 (no preset)
DTRX3	Telemetry receiver 17 functions for NXP TH 210 e NXP TH 211
DTRX324	Telemetry receiver 12 functions for NXP TH 211

ENVIRONMENT

Indoor / Outdoor
 Operating temperature: -20°C / +50°C (-4°F / +122°F)
 Salt-air fog resistance

COMPLIANCE TO

CE according to EN 61000-6-3, EN 60065, EN 50130-4
 IP67 according to EN 60529

SPARE PARTS LIST

DOTNXPTH Installation kit for NXPTH P&T



Unit Weight:
NXPTH 15kg / 33lb

Package Weight:
NXPTH 15.5kg / 34lb

Package Dimensions (BxHxL):
NXPTH 24x32x24.5cm / 9.5x12.6x9.6in

Master Carton:
NXPTH -