

NXM

CAMERA HOUSING FOR INSTALLATION IN AGGRESSIVE ENVIRONMENTS

MAIN FEATURES

Made of AISI 316L electropolished stainless steel
IP66/IP68, submersible down to -50m (-164ft), equal to 5 bar max. pressure
Cylindrical body enclosed by two 9mm(0.4in)-thick circular flanges
2 PG13.5 cable glands in nickel-plated brass for external connections
Available accessories: heater and double heater (for temperatures down to -40°C (-40°F), camera power supply, air barrier + air filtering group and washer pump

DESCRIPTION

The NXM housing, entirely constructed from AISI 316L electropolished stainless steel, is designed to operate in specialist environments such as marine, industrial, chemical and where the external conditions are highly corrosive.

In order to prevent the formation of dust deposits, the housing can be equipped with a flange designed to create an air barrier in front of the glass.

The air, normally drawn from a compressor, can be purified by the optional filter group.

The options of wiper and water pump ensure a constant cleaning of the front window

The NXM housing can be installed on NXPTH Pan & Tilt head, to obtain a complete positioning system.



NXM



NXM + VIPNX



NXM + VIPNX + NXPTH + NXFWBT + NXWBPTH1

AVAILABLE MODELS

Model Number	Sunshield	Heater 120/230Vac	Heater 12Vdc/24Vac	Double heater 120/230Vac	Max consumption
NXMOD1000B	-	-	-	-	-
NXM1K1000B	✓	✓	-	-	40W
NXM2K1000B	✓	-	✓	-	20W
NXM1K1050	✓	-	-	✓	80W

TECHNICAL DATA

GENERAL

Constructed from electropolished stainless steel (austenitic alloy stainless steel, corrosion and heat resistant according to the following standards):

- AISI 316L
- UNI 6900-71: X 2 Cr Ni Mo 17 12 2
- DIN 17006: X 2 Cr Ni Mo 17 13 2
- N° werkstoff 1.4404
- AFNOR: Z2 CND 17-12
- BSI: 316S11

The screws utilised are in austenitic alloy stainless steel, corrosion and heat resistant according to the following standards:

- ISO: 7380
- AISI: 316
- ISO quality: A4
- Resistance class ISO: from 50 to 70

MECHANICAL

Cable glands: 2xPG13.5 (nickel-plated brass for external connections)

Flange thickness: 9mm (front/back)

External body polishing

Gaskets: High sealing O-ring

External dimensions: Ø 154mm, length 370mm

Internal usable area (WxH): 88x86mm (3.5x3.4in)

Internal usable area with double heater (WxH): 55x100mm (2.2x3.9in)

Internal usable length (without accessories): 334mm (13.1in)

Internal usable length (with heater and/or power supply): 245mm (9.6in)

Tempered window glass:

- Thick: 4mm
- Usable diameter: 97mm, 95mm (with air barrier)

Unit weight: 6kg (13.3lb)

ELECTRICAL

Heater (Ton 15°C±3°C (59°F±5°F), Toff 22°C±3°C (72°F±5°F))

- Power supply/Consumption: IN 12Vdc/24Vac, 20W max
- Power supply/Consumption: IN 120/230Vac, 40W max, 80W max (double heater)

Camera power supply

- IN 100-240Vac, 50/60Hz - OUT 12Vdc, 1.25A
- IN 230Vac, 50Hz - OUT 24Vac, 50Hz, 400mA

ENVIRONMENT

For installation indoors and outdoors

Submersible: up to -50m (-164ft) (pressure: 5Bar)

Operating temperature (with heater): from -20°C (-4°F) up to +60°C (140°F)

Operating temperature (with double heater): from -40°C (-40°F) up to +60°C (140°F)

CERTIFICATIONS

Electrical safety (CE): EN60065

Electromagnetic compatibility (CE): EN50130-4, EN61000-6-3

IP protection degree: EN60529

- IP66/IP68 (5 bar, for 48 hours)

EAC certification

ACCESSORIES

OHEH06B	Heater 120/230Vac
OHEH05B	Heater 12Vdc/24Vac
ONXPS1B	Wide range power supply for camera IN 100-240Vac - OUT 12Vdc, 1.25A
ONXPS2B	Camera power supply IN 230Vac - OUT 24Vac, 400mA
VIPNX1C	230Vac stainless steel wiper for NXM housing
VIPNX2C	24Vac stainless steel wiper for NXM housing
ONXAB2	Air barrier with tempered glass included for NXM and NXW housings
NXFIGRU	Filtering group for compressed air cleaning
WASOV5L5M00	Water tank 5l (1 gal), pump with delivery up to 5m (16ft), IN 230Vac-24Vac-120Vac
WASOV23L5M00	Water tank 23l (6 gal), pump with delivery up to 5m (16ft), IN 230Vac-24Vac-120Vac
WASOV23L11M00	Water tank 23l (6 gal), pump with delivery up to 11m (36ft), IN 230Vac-24Vac-120Vac
WAS1V23L30M00	Water tank 23l (6 gal), pump with delivery up to 30m (98ft) with water floating, IN 230Vac
WAS3V23L30M00	Water tank 23l (6 gal), pump with delivery up to 30m (98ft) with water floating, IN 120Vac
WASPTOV5L5M00	Water tank 5l (1 gal), pump with delivery up to 5m (16ft), IN 230Vac-24Vac-120Vac
WASPTOV23L5M00	Water tank 23l (6 gal), pump with delivery up to 5m (16ft), IN 230Vac-24Vac-120Vac
WASPTOV23L11M00	Water tank 23l (6 gal), pump with delivery up to 11m (36ft) with water floating, IN 230Vac-24Vac-120Vac
WASPT1V23L30M00	Water tank 23l (6 gal), pump with delivery up to 30m (98ft) with water floating, IN 230Vac
WASPT3V23L30M00	Water tank 23l (6 gal), pump with delivery up to 30m (98ft) with water floating, IN 120Vac
DTWRX	Data receiver for remote control of the wiper and WASPT range pumps in stand-alone housings

BRACKETS AND ADAPTORS

NXWBS1	AISI 316L stainless steel wall bracket with joint
--------	---

RELATED PRODUCTS

NXPTH	Stainless steel P&T motor
-------	---------------------------

SPARE PARTS

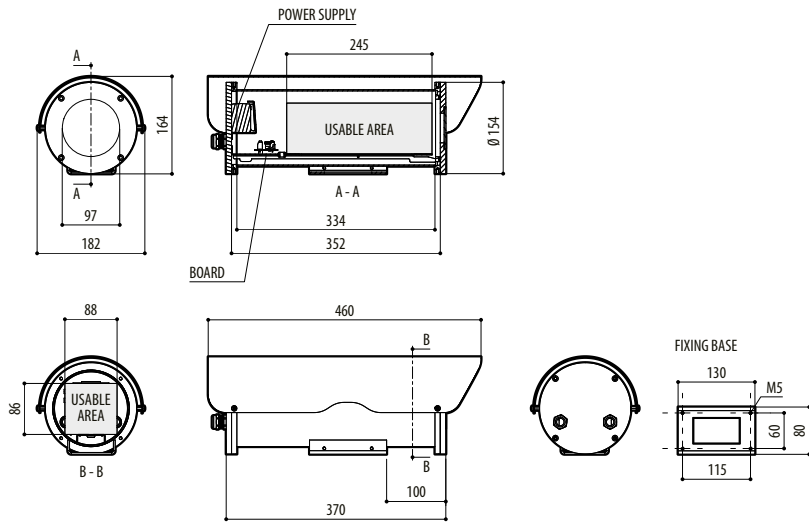
ONXMMAN	Maintenance kit for NXM
OSPAPVNPXMC	Complete blade for VIPNX wiper

PACKAGE

Model Number	Weight	Dimensions (WxHxL)	Master carton
NXMOD1000B	7.3kg (16.1in)	29.5x19.5x49cm (11.6x7.7x3.8in)	3

TECHNICAL DRAWINGS

The dimensions of the drawings are in millimetres.



NXM