
NXMK

The NXM housing, entirely made of AISI 316 stainless steel, is designed to operate in special environments such as marine, industrial, chemical and where the external agents are highly corrosive. The NXM housing consists of a 130mm diameter cylindrical body enclosed by two 9mm thick circular flanges. The back flange is equipped with two PG13.5 cable glands for external connections. The NXM can be equipped with an ONXAB1 flange designed to create an air barrier in front of the glass to prevent the formation of dust deposits. With the optional air barrier, the NXFIGRU filter group is recommended, which purifies the air drawn from a compressor.

A wide range of accessories is available, including heater, camera power supply, NXWBS1 stainless steel special bracket, and the possibility of mounting the VIPNX wiper and washer.

The housing can be equipped with a double heater for temperatures down to -40°C (-40°F).

- For special installations
- AISI 316 stainless steel construction
- For highly aggressive environments
- Weatherproof standard IP68


NXM + VIPNX + NXPTH + NXFWBT + NXWBPTH1

NXM					
Model	Sunshield	Heater 115/230V AC	Heater 12V DC/24V AC	Double heater 115/230V AC	Max consumption
NXMOD1000B					
NXM1K1000B	•	•			40W
NXM2K1000B	•		•		20W
NXM1K1050	•			•	80W

TECHNICAL DATA

GENERAL

Made of stainless steel (Austenitic alloy stainless steel, corrosion and heat resistant according to the following standards):

- UNI 6900-71: X 2 Cr Ni Mo 17 12
- AISI: 316L
- DIN 17006: X 2 Cr Ni Mo 18 10
- N° WERKSTOFF: 1.4404
- AFNOR: Z2 CND 17-12
- BSI: 316 S 12

The screws utilised are in austenitic alloy stainless steel, corrosion and heat resistant according to the following standards:

- UNI 6900: X 5 Cr Ni Mo 1712
- AISI: 316
- ISO quality: A4
- Resistance class ISO: 80

Supplied with instruction manual, desiccants bag, accessories for camera and lens mounting

UNI: Ente Nazionale Italiano di Unificazione, AISI: American Iron and Standard Institute, DIN: Deutsche Industrie Normen, AFNOR: Association Française de Normalisation, BSI: British Standard Institution, ISO: International Organization for Standardization

MECHANICAL

2xPG13.5 cable glands in nickel-plated brass for external connections

External body polishing

9mm (0.35in) thick front and back flanges

O-ring gaskets

Tempered window glass: 4mm (0.15in) thick, Ø 97mm (3.8in)

External dimensions: Ø 154mm (6in) length 370mm (14.5in)

Internal usable area (BxH): 88x86mm (3.4x3.4in)

Internal usable area with double heater (BxH): 55x100mm (2.2x3.9in)

Internal usable length

NXM 334mm (13.1in)

Internal usable length with heater and/or power supply

NXM 245mm (9.6in)

Wiper

Wiper blade and enclosure made of AISI 316 stainless steel

Dimensions (ØxL): 100x169mm (3.9x6.6in), not comprehensive of blade

Connector 3+1 pins

IN 230V AC, consumption 7W max

IN 24V AC, consumption 7W max

ELECTRICAL

Heater Ton 15°C +/-3°C (59°F +/-5°F) Toff 22°C +/-3°C (71°F +/-5°F)

- IN 12V DC/24V AC, consumption 20W max
- IN 115/230V AC, consumption 40W max
- IN 115/230V AC, double heater, consumption 80W max

Camera power supply

- IN 100-240V AC - OUT 12V DC, 50/60 Hz, 1A
- IN 230V AC - OUT 24V AC, 50Hz, 400mA

ACCESSORIES

ONXMAS6	Sunshield
ONXMH1B	Heater 115/230V AC
ONXMH2B	Heater 12V DC/24V AC
ONXPS1B	Wide range camera power supply IN 100-240V AC - OUT 12V DC
ONXPS2B	Camera power supply IN 230V AC - OUT 24V AC
VIPNX1B	Wiper 230V AC
VIPNX2B	Wiper 24V AC

RELATED PRODUCTS

NXWBS1	Wall bracket for stainless steel housing
NXP TH	Stainless steel Pan&Tilt
ONXAB1	Air barrier with tempered glass included
NXFIGRU	Air filtering
VIP5WAS01	Tank 5l, 230V AC washer pump
VIP5WAS02	Tank 5l, 24V AC washer pump
VIP25WAS01	Tank 25l, 230V AC washer pump
VIP25WAS02	Tank 25l, 24V AC washer pump
VIP25WASA01	Tank 25l, 230V AC washer pump, high delivery up 30m
DTWRX	Optional board for remote control of wiper and water pump of the UPTWAS series

ENVIRONMENT

Indoor / Outdoor

Submersible up to -50m (-164ft) (5 Bar pressure)

Operating temperature with heater: -20°C / +50°C (-4°F / +122°F)

Operating temperature with double heater: -40°C / +50°C (-40°F / +122°F)

COMPLIANCE TO

NXM

CE according to EN 61000-6-3, EN 60065, EN 50130-4

IP68 according to EN 60529 IP66/IPx8 (5 Bar for 48 hours)

VIPNX

CE according to EN 61000-6-3, EN 60065, EN 50130-4

IP67

SPARE PARTS LIST

ONXMMAN	Maintenance kit NXM housing
OSPAVIPNXMB	Complete wiper blade for VIPNX



Unit Weight:

NXM 6kg / 13.3lb

VIPNX 1.7kg / 3.7lb

Package Weight:

NXM 10.2kg / 16lb

VIPNX 1.9kg / 4.2lb

Package Dimensions (BxHxL):

NXM 29.5x19.5x49cm / 11.6x7.7x19.2in

VIPNX 14.5x15x27cm / 5.7x5.9x10.6in

Master Carton:

NXM 3 units

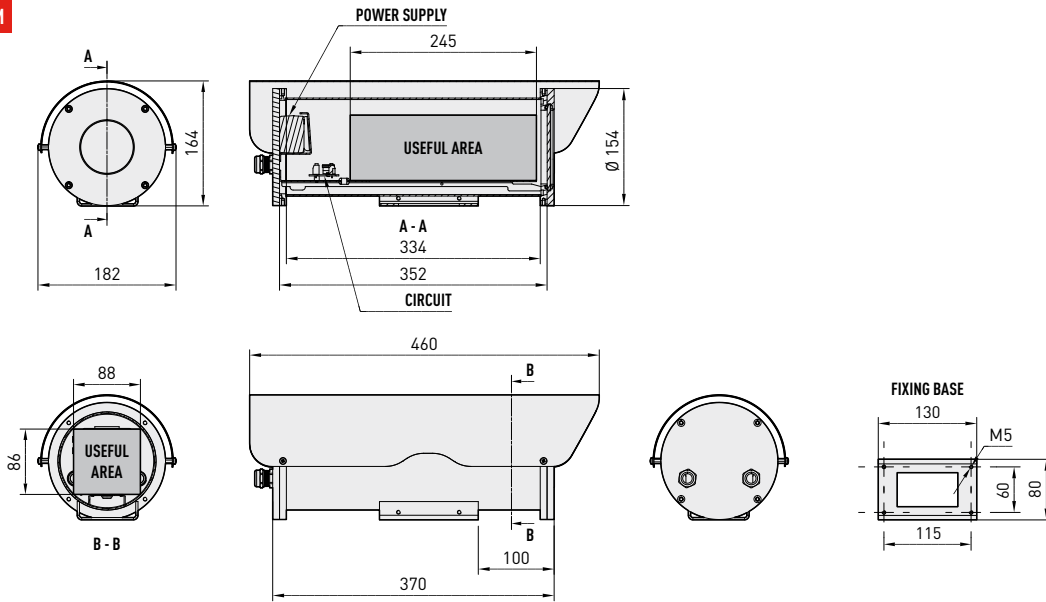
VIPNX 15 units

NXM

FOR INSTALLATION IN AGGRESSIVE ENVIRONMENTS

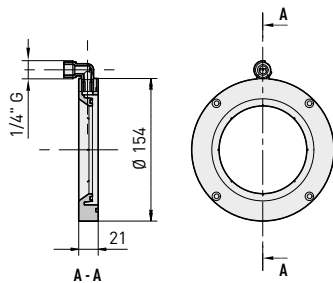


NXM

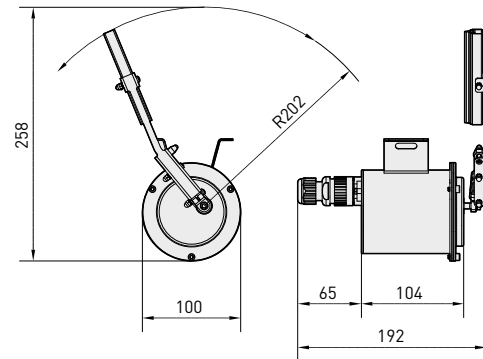


S
STAINLESS STEEL SYSTEMS

ONXAB1



VIPNX



The values are in millimeters.

