

MAIN FEATURES

Suitable for big zoom lenses

AISI 316 stainless steel construction

For highly aggressive environments

Weatherproof standard IP66/IP67

DESCRIPTION

The NXL housing, entirely constructed from AISI 316 electropolished stainless steel, has been designed to accommodate large cameras and zoom lenses. The housing is conceived to operate in special environments such as salt water applications like marine or coast patrol, industrial or chemical applications, and where external agents are highly corrosive.

The NXL housing consists of a 168mm diameter cylindrical body enclosed by two circular flanges. The back flange is equipped with 4 PG13.5 cable glands for external connections.

The housing offers the possibility to remove either the front or the back cover for adjusting the lens and various connections.

A wide range of accessories is available: heater, camera power supply, NXWBL stainless steel wall bracket, and the VIPNXL wiper.

The NXL housing can be installed on NXPTH Pan & Tilt head, to obtain a complete positioning system.



NXL



NXL + NXFWBL



NXL + VIPNXL + NXPTH + NXFWBT + NXWBPTH1

→ VERSION FOR THERMAL IMAGING CAMERAS AVAILABLE: NTL □ 139

AVAILABLE MODELS				
Code	Sunshield	Heater 115/230Vac	Heater 12Vdc/24Vac	Max consumption
NXL1K1000	•	•		40W
NXL2K1000	•		•	20W

TECHNICAL DATA

GENERAL

Constructed from electropolished stainless steel (Austenitic alloy stainless steel, corrosion and heat resistant according to the following standards):

- UNI 6900-71: X 2 Cr Ni Mo 17 12
- AISI: 316
- DIN 17006: X 2 Cr Ni Mo 18 10
- N° WERKSTOFF: 1.4404
- AFNOR: Z2 CND 17-12
- BSI: 316 S 12

The screws utilised are in austenitic alloy stainless steel, corrosion and heat resistant according to the following standards:

- UNI 6900: X 5 Cr Ni Mo 1712
- AISI: 316
- ISO quality: A4
- Resistance class ISO: 80

Supplied with instruction manual, desiccant bag, accessories for camera and lens mounting

UNI: Ente Nazionale Italiano di Unificazione, AISI: American Iron and Standard Institute, DIN: Deutsche Industrie Normen, AFNOR: Association Française de Normalisation, BSI: British Standard Institution, ISO: International Organization for Standardization.

MECHANICAL

NXL

4xPG13.5 cable glands in nickel-plated brass for external connections

12mm (0.5in) thick front and 9mm (0.35in) thick back flange

External body polishing

O-ring gaskets

Tempered window glass: 4mm (0.15in) thick, internal Ø 150mm (5.9in), external Ø 168mm (6.6in)

External dimensions: Ø 200mm (7.8in) length 583mm (22.9in)

Internal usable dimensions (WxH): 112x112mm (4.5x4.5in)

Internal usable length

NXL 562mm (22.1in)

Internal usable length with connection board

NXL 477mm (18.7in)

Internal usable length with heater and power supply

NXL 465mm (18.3in)

WIPER

Wiper blade and enclosure constructed from AISI 316 stainless steel

Dimensions (ØxL): 100x169mm (3.9x6.6in) not comprehensive of blade

Connector 3+1 pins

IN 230Vac, consumption 7W max

IN 24Vac, consumption 7W max

ELECTRICAL

Heater Ton 15°C±3°C (59°F±5°F) Toff 22°C±3°C (71°F±5°F)

IN 12Vdc/24Vac, consumption 20W max

- IN 115/230Vac, consumption 40W max

Camera power supply

- IN 100-240Vac - OUT 12Vdc, 50/60 Hz, 1A
- IN 230Vac - OUT 24Vac, 50/60Hz, 400mA

ENVIRONMENT

Indoor / Outdoor

Operating temperature with heater: -20°C / +60°C (-4°F / +140° F)

CERTIFICATIONS

NXL

CE EN61000-6-3, EN60065, EN50130-4

IP66/IP67 EN60529 with cable glands

VIPNXL

CE EN61000-6-3, EN60065, EN50130-4

IP66 EN60529

ACCESSORIES

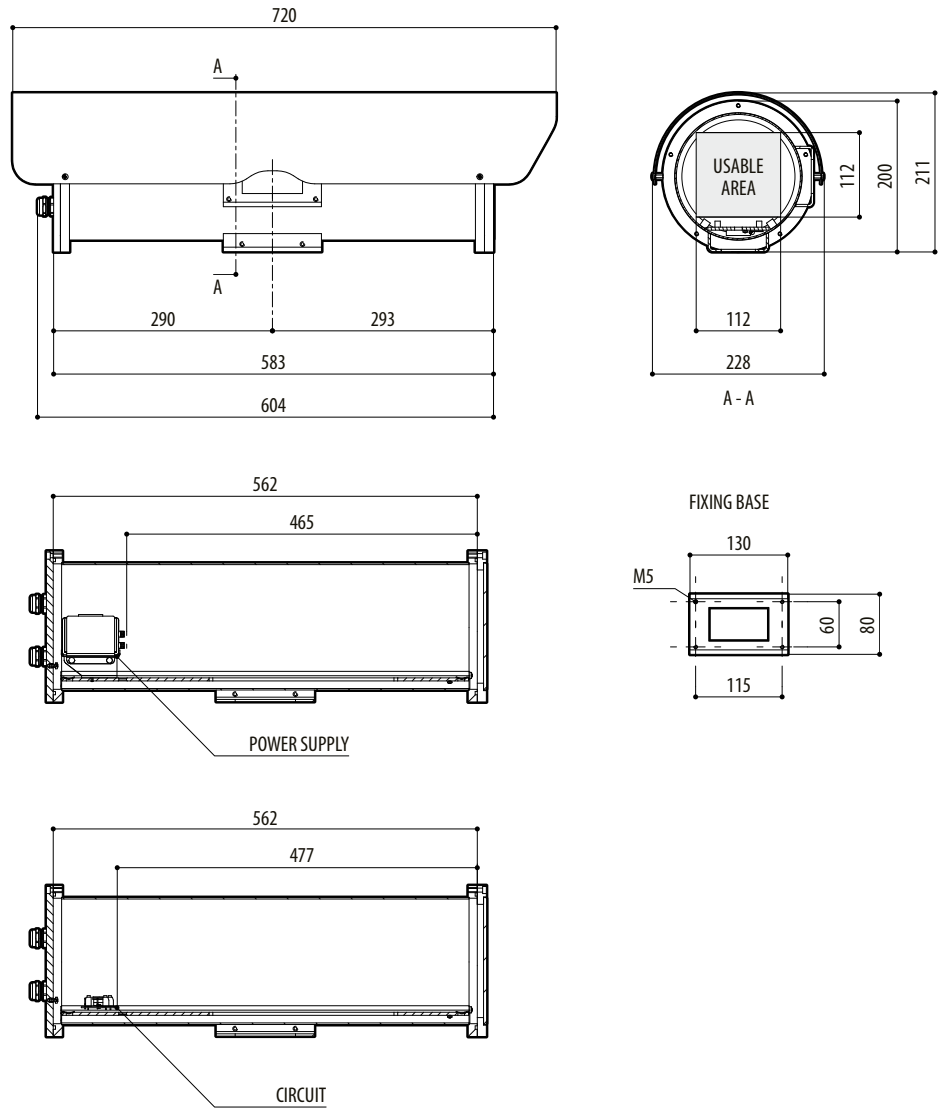
ONXLH1	Heater 115/230Vac
ONXLH2	Heater 12Vdc/24Vac
ONXPS1B	Wide range camera power supply IN 100-240Vac - OUT 12Vdc
ONXPS2B	Camera power supply IN 230Vac - OUT 24Vac
VIPNXL1B	Stainless steel wiper 230Vac
VIPNXL2B	Stainless steel wiper 24Vac
VIP5WAS01	Tank 5l (1,3gal), 230Vac washer pump
VIP5WAS02	Tank 5l (1,3gal), 24Vac washer pump
VIP23WAS01	Tank 23l (6gal), 230Vac washer pump
VIP23WAS02	Tank 23l (6gal), 24Vac washer pump
VIP23WASA01	Tank 23l (6gal), 230Vac washer pump, high delivery up 30m (98ft)
UPTWAS01C	Tank 23l (6gal), IN 230Vac washer pump (prearranged for DTWRX board)
UPTWAS02C	Tank 23l (6gal), IN 24Vac washer pump (prearranged for DTWRX board)
UPTWAS03C	Tank 23l (6gal), IN 120Vac washer pump (prearranged for DTWRX board)
UPTWASA01C	Tank 23l (6gal), IN 230Vac washer pump, high delivery up 30m (98ft) (prearranged for DTWRX board)
UPTWASA03C	Tank 23l (6gal), IN 120Vac washer pump, high delivery up 30m (98ft) (prearranged for DTWRX board)
DTWRX	Optional board for remote control of wiper and washer pump of the UPTWAS series

BRACKETS AND ADAPTORS

NXWBL	Stainless steel wall bracket for NXL
-------	--------------------------------------

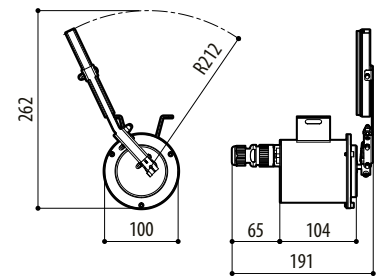
RELATED PRODUCTS

NXPHT	Stainless steel Pan&Tilt
-------	--------------------------



NXL

VIPNX



mm 1:10

PACKAGE							
Code	Unit weight		Package weight		Package dimensions (WxHxL)		Master carton unit
	kg	lb	kg	lb	cm	in	
NXL	13.0	28.6	15.0	33.1	29.5x35.0x75.0	11.6x13.8x29.5	-
VIPNXL	1.5	3.3	1.6	3.5	14.5x15.0x27.0	5.7x5.9x10.6	-

