

MAIN FEATURES

- Large housing
- AISI 304 stainless steel construction
- Optional wiper and washer
- Weatherproof standard IP54

DESCRIPTION

The NXJ housing, entirely constructed from AISI 304 electropolished stainless steel, has been designed to accommodate large cameras and zoom lenses.

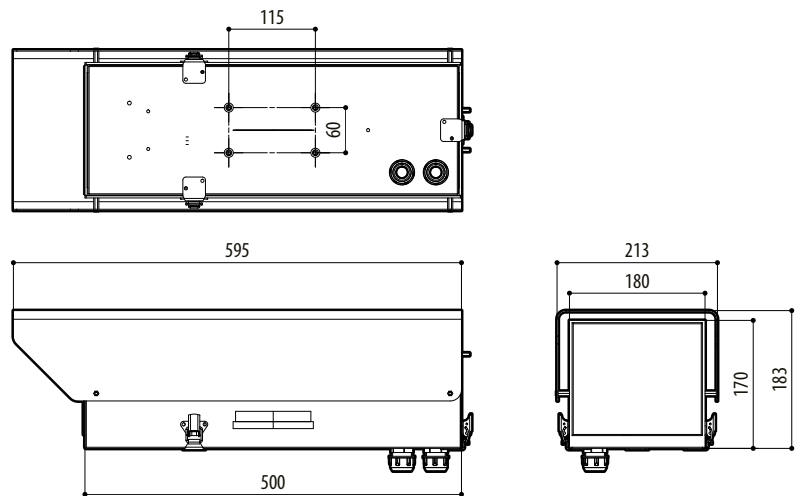
The NXJ housing has a frontal section of 180x170mm and is 500mm in length. It consists of a base with internal slide and a body closed by means of three fastening clips.

The large window on the front makes it suitable for various zoom lenses. It is equipped with 2 PG16 cable glands for the connections and is pre-arranged for the bracket mounting and the wiper installation.

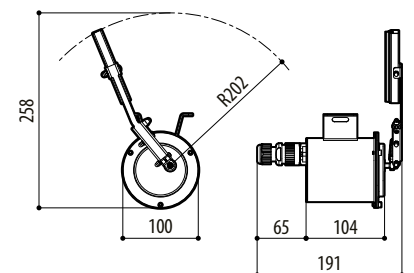
A wide range of accessories is available: heater, blower kit, camera power supply, stainless steel special brackets and possibility to mount the wiper and washer.



NXJ



NXJ



VIPNX

mm 1:10

AVAILABLE MODELS				
Code	Sunshield	Heater 115/230Vac	Heater 12Vdc/24Vac	Max consumption
NXJ1A000	•	•		40W
NXJ2A000	•		•	20W

TECHNICAL DATA

GENERAL

Built-in electropolished stainless steel AISI 304
 Epoxypolyester powder painting, RAL9002 colour
 Opening / closing by means of three hinges
 Supplied with instruction manual and installation kit

MECHANICAL

2 cable glands 2xPG16
 Glass window (WxH): 160x130mm (6.3x5.1in)
 External dimensions (WxHxL): 180x170x500mm (7x6.6x19.6in)
 Internal usable dimensions (WxH): 175x125mm (6.9x4.9in)
 Internal usable length: 490mm (19.3in)

WIPER

Wiper blade and enclosure constructed from AISI 316 stainless steel
 Dimensions (ØxL): 100x169mm (3.9x6.6in), not comprehensive of blade
 Connector 3+1 pins
 IN 230Vac, consumption 7W max
 IN 24Vac, consumption 7W max

ELECTRICAL

Heater Ton 15°C±3°C (59°F±5°F) Toff 22°C±3°C (71°F±5°F)

- IN 12Vdc/24Vac, consumption 20W max
- IN 115/230Vac, consumption 40W max

Blower kit with thermostat air filter, Ton 35°C±3°C (95°F±5°F) Toff 20°C±3°C (71°F±5°F)

- IN 12Vdc, consumption 4W max
- IN 24Vac, consumption 4W max
- IN 230Vac, consumption 4W max

Camera power supply

- IN 230Vac - OUT 12Vdc, 50/60Hz, 400mA
- IN 230Vac - OUT 24Vac, 50/60Hz, 400mA

ENVIRONMENT

Indoor / Outdoor
 Operating temperature: -20°C / +60°C (-4°F / +140°F)
 Salty fog resistance

CERTIFICATIONS

PACKAGE							
Code	Unit weight		Package weight		Package dimensions (WxHxL)		Master carton unit
	kg	lb	kg	lb	cm	in	
NXJ	9.6	21.2	10.2	22.5	24.5x24.5x62.0	9.7x9.7x24.1	-
VIPNXJ	1.5	3.3	1.7	3.7	14.5x15.0x27.0	5.7x5.9x10.6	-

NXJ

CE EN61000-6-3, EN60065, EN50130-4
 IP54 EN60529

VIPNXJ

CE EN61000-6-3, EN60065, EN50130-4
 IP66 EN60529

ACCESSORIES

ONXJVF1	Blower kit with thermostat air filter IN 12Vdc
ONXJVF2	Blower kit with thermostat air filter IN 24Vac
ONXJVF3	Blower kit with thermostat air filter IN 230Vac
OHEPS24	Camera power supply IN 230Vac - OUT 12Vdc, 400mA
OHEPS25	Camera power supply IN 230Vac - OUT 24Vac, 400mA
VIPNXJ1C	Stainless steel wiper 230Vac
VIPNXJ2C	Stainless steel wiper 24Vac
VIP5WAS01	Tank 5l (1,3gal), 230Vac washer pump
VIP5WAS02	Tank 5l (1,3gal), 24Vac washer pump
VIP23WAS01	Tank 23l (6gal), 230Vac washer pump
VIP23WAS02	Tank 23l (6gal), 24Vac washer pump
VIP23WASA01	Tank 23l (6gal), 230Vac washer pump, high delivery up 30m (98ft)
UPTWAS01C	Tank 23l (6gal), IN 230Vac washer pump (prearranged for DTWRX board)
UPTWAS02C	Tank 23l (6gal), IN 24Vac washer pump (prearranged for DTWRX board)
UPTWAS03C	Tank 23l (6gal), IN 120Vac washer pump (prearranged for DTWRX board)
UPTWASA01C	Tank 23l (6gal), IN 230Vac washer pump, high delivery up 30m (98ft) (prearranged for DTWRX board)
UPTWASA03C	Tank 23l (6gal), IN 120Vac washer pump, high delivery up 30m (98ft) (prearranged for DTWRX board)
DTWRX	Optional board for remote control of wiper and washer pump of the UPTWAS series
OPHT200ADJB	Adapter kit for installation on NXPTH P&T
OMARPTH	Adapter kit for installation on PTH900 P&T

BRACKETS AND ADAPTORS

NXWBS1 Wall bracket for stainless steel housing

RELATED PRODUCTS

NXPTH Stainless steel Pan&Tilt
 PTH900 Aluminium Pan&Tilt

SPARE PARTS

OSPAVIPNXJ Complete wiper blade for VIPNXJ