

# BRACKETS AND ADAPTERS FOR MAXIMUS MPX AND MPXT

## MPXCW CORNER MOUNT ADAPTER

Made of AISI 316L electropolished stainless steel

For pole diameters: 110÷150mm (4.3÷5.9in)

Suitable for MPXWBA bracket

Load rating: 50kg (110lb)

## MPXCW CORNER MOUNT ADAPTER

Made of AISI 316L electropolished stainless steel

Suitable for MPXWBA bracket

Load rating: 50kg (110lb)

## MPXWBA WALL MOUNT

Made of AISI 316L electropolished stainless steel

Load rating: 40kg (88lb)

Can be coupled with modular MPXCW and MPXCW components

## MPXWBA PARAPET OR CEILING MOUNTING BRACKET

Made of AISI 316L electropolished stainless steel

Load rating: 40kg (88lb)



MPXCW



MPXCW



MPXWBA



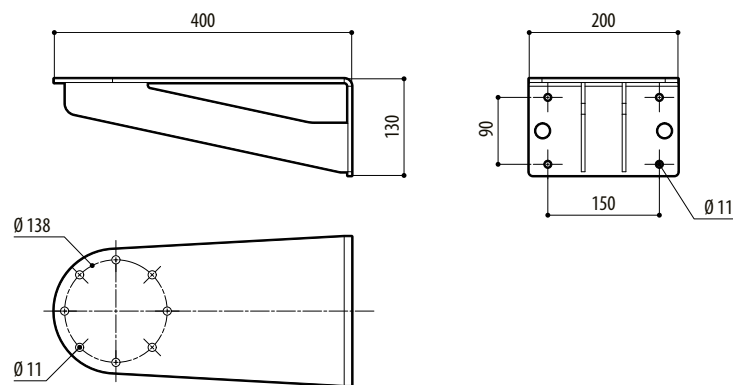
MPXWBA

### MHXWBS WALL MOUNT

PACKAGE			
Model Number	Weight	Dimensions (WxHxL)	Master carton
MHXWBS	6.5kg (14.3lb)	58x34x22cm (23x13.4x8.7in)	-

### MPXWBTA PARAPET OR CEILING MOUNTING BRACKET

PACKAGE			
Model Number	Weight	Dimensions (WxHxL)	Master carton
MPXWBTA	3.2kg (7.1lb)	33x27x6.5cm (13x11x2.4in)	-



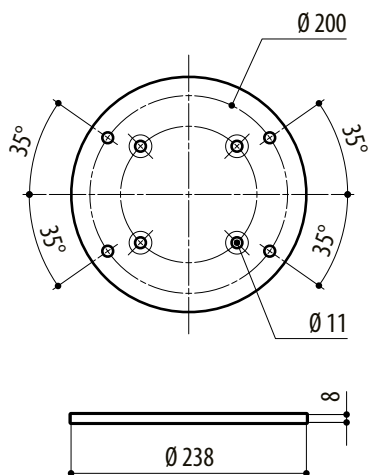
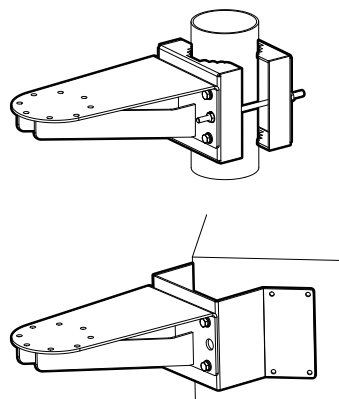
MPXWBTA

### MPXCOL POLE MOUNT ADAPTER

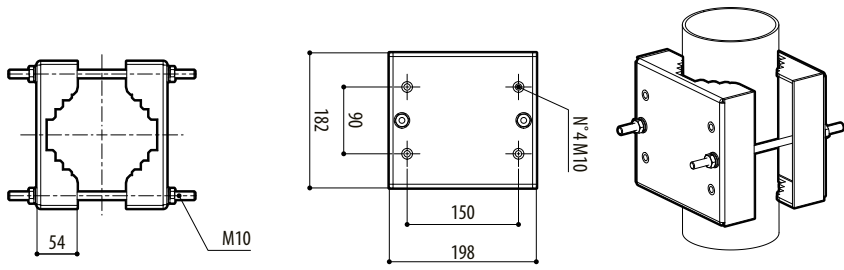
PACKAGE			
Model Number	Weight	Dimensions (WxHxL)	Master carton
MPXCOL	4.9kg (10.8lb)	24x15x21.5cm (9.4x6x8.5in)	6

### MPXCW CORNER MOUNT ADAPTER

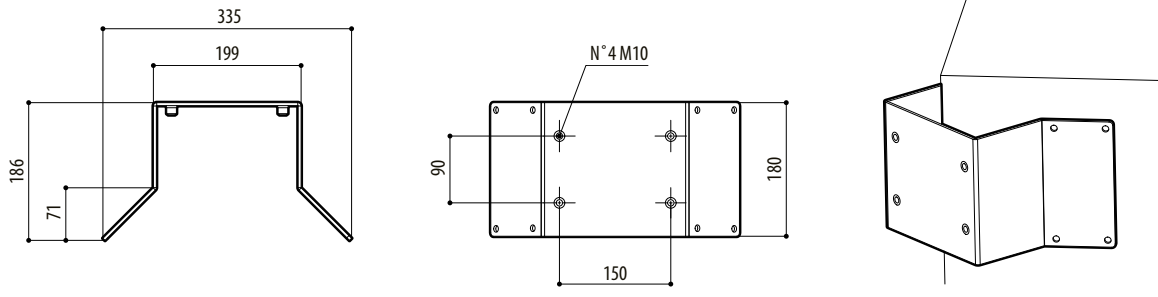
PACKAGE			
Model Number	Weight	Dimensions (WxHxL)	Master carton
MPXCW	4.8kg (10.6lb)	36.5x25.5x26cm (14.4x10x10.2in)	5



MPXWBTA



MPXCOL



MPXCW

