

BRACKETS AND ADAPTERS FOR MAXIMUS MHX AND MAXIMUS MHXT

MHXWBS WALL MOUNT

Made of AISI 316L electropolished stainless steel

Load rating: 40kg (88lb)

Length: 425mm (16.7in)

Can be coupled with modular MPXCW and MPXCOL components

Unit weight: 5.4kg (11.9lb)

MHXFWCA BALL JOINT FOR HOUSING

Made of AISI 316L electropolished stainless steel

Compatible with NXFWBT bracket

Load rating: 40kg (88lb)

Dimensions: Ø 101.6mm

Unit weight: 2kg (4.4lb)

NXFWBT PARAPET MOUNTING BRACKET

Made of AISI 316L electropolished stainless steel

Load rating: 70kg (154lb)

Height: 124mm (4.9in)

Unit weight: 0.9kg

MPXCW CORNER MOUNT ADAPTER

Made of AISI 316L electropolished stainless steel

For pole diameters: 110÷150mm (4.3÷5.9in)

Suitable for MPXWBA and MHXWBS brackets

Load rating: 50kg (110lb)

MPXCW CORNER MOUNT ADAPTER

Made of AISI 316L electropolished stainless steel

Suitable for MPXWBA and MHXWBS brackets

Load rating: 50kg (110lb)



MHXWBS



MHXFWCA



NXFWBT



MHXFWCA-NXFWBT



MPXCW



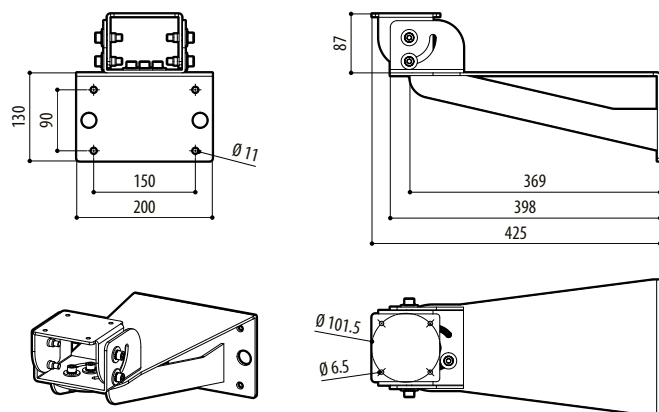
MPXCW

PACKAGE

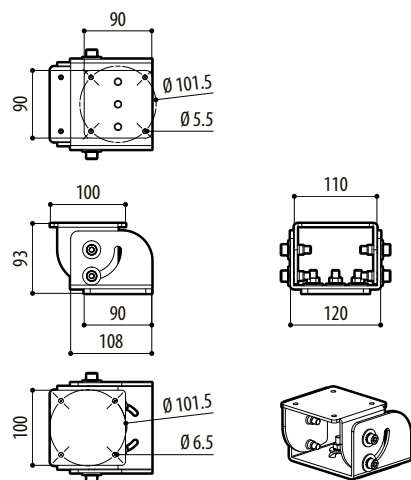
Model Number	Weight	Dimensions (WxHxL)	Master carton
MHXWBS	6.5kg (14.3lb)	58x34x22cm (23x13.4x8.7in)	-
MHXWFWCA	2.5kg (5.5lb)	19x19x19 cm (7.5X7.5X7.5in)	-
NXFWBT	1kg (2.2lb)	10x16x23cm (3.9x6.3x9in)	-
MPXCOL	4.9kg (10.8lb)	24x15x21.5cm (9.4x6x8.5in)	6
MPXCW	4.8kg (10.6lb)	36.5x25.5x26cm (14.4x10x10.2in)	5

TECHNICAL DRAWINGS

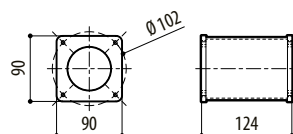
Sizes in millimeters.



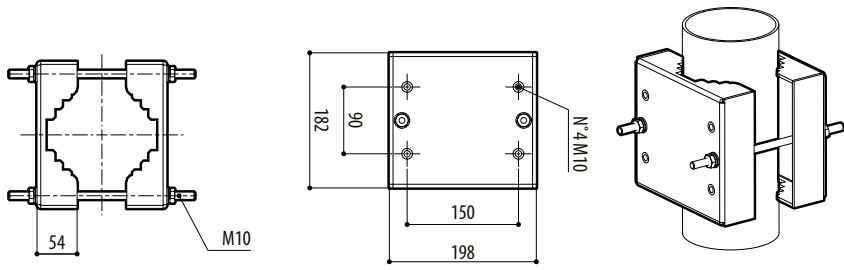
MHXWBS



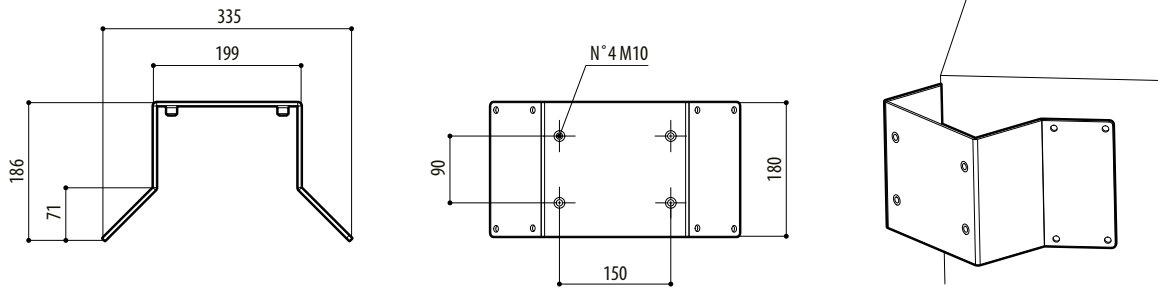
MHXWFWCA



NXFWBT



MPXCOL



MPXCW

