

MAIN FEATURES

Top-opening system

Indoor/Outdoor installations

Universal internal adapter for several speed domes and network PTZ cameras

Camera power supply equipped with internal adapter

Version with cooling device

Protection rating IP66 (not for double filter cooled version)

Fan-assisted heater

DESCRIPTION

The MEDUSA dome housing offers a unique top-opening system, designed to give easy access to all cabling, connections and the dome camera for an incredibly comfortable installation and service.

All the available camera adapters are very simply mechanically adjustable, allowing the positioning and the fastening of almost every speed dome and PTZ network camera existing in the market. Moreover all internal adapters are equipped with a camera power supply and are always sold separately, as it can be chosen according to the main power available on site.

Constructed from die-cast aluminium with a PMMA bubble, the MEDUSA offers extreme sturdiness, weatherproof protection and attractive design and it is suitable for indoor and outdoor installations.

Different mounting options are available, all with internal cable management: wall bracket, corner and pole adapters. The ceiling/parapet bracket is equipped as an option with a rotating plate which allows the rotation of the arm and simplifies the assembling operations and the maintenance of the housing and camera.

The standard version is supplied with sunshield and fan-assisted heater. When it is important to keep the housing's internal temperature down, an optional efficient cooling system is available, consisting of 2 filters placed in the body of the housing and two blowers placed in the internal adapter in order to allow internal/external air circulation to occur.

A reinforced heater, for low temperature environments, is available as an easily installable accessory.

For a total anti vandal protection, the lower semisphere is available in polycarbonate material, fully transparent or smoked.



MEDUSA + DBH06



MEDUSA + DBH06



INSIDE VIEW



FAN ASSISTED VERSION

MEDUSA

AVAILABLE MODELS	
Dome enclosure	
DBH18K0F022	Dome enclosure with Sunshield and smoked bubble (camera adapter not included)
DBH18K0F028	Dome enclosure with sunshield and clear bubble (camera adapter not included)
Internal camera adapters	
ODBH18H110	Camera adapter with fan-assisted heater IN 100-240Vac and camera power supply OUT 100/240Vac or 12Vdc, 3A max
ODBH18H210	Camera adapter with fan-assisted heater IN 24Vac and camera converter OUT 12Vdc, 2A max
ODBH18H112	Camera adapter with fan-assisted heater IN 100-240Vac and camera power supply OUT 24Vdc, 1.5A max
ODBH18H111	Camera adapter with fan-assisted heater IN 230Vac and camera power supply OUT 24Vdc, 2A max
ODBH18H211	Camera adapter with fan-assisted heater IN 24Vac
ODBH18H114	Camera adapter for SONY SNC-RX-530, SNC-RX-550, SNC-RX-570, with fan-assisted heater IN 100-240Vac, camera power supply OUT 12Vdc, 3A
ODBH18H214	Camera adapter for SONY SNC-RX-530, SNC-RX-550, SNC-RX-570, with fan-assisted heater IN 24Vac

Dome enclosure with double filter for air exchange	
DBH18K0F023	Dome enclosure with sunshield and smoked bubble, only for camera adapters equipped with blower system (camera adapter not included)
DBH18K0F029	Dome enclosure with sunshield and clear bubble, only for camera adapters equipped with blower system (camera adapter not included)
Internal camera adapters	
ODBH18V110	Camera adapter with blower system, fan-assisted heater IN 100-240Vac and camera power supply OUT 100/240Vac or 12Vdc, 3A max
ODBH18V210	Camera adapter with blower system, fan-assisted heater IN 24Vac and camera converter OUT 12Vdc, 2A max
ODBH18V112	Camera adapter with blower system, fan-assisted heater IN 100-240Vac and camera power supply OUT 24Vdc, 1.5A max
ODBH18V111	Camera adapter with blower system, fan-assisted heater IN 230Vac and camera power supply OUT 24Vdc, 2A max
ODBH18V211	Camera adapter with blower system and fan-assisted heater IN 24Vac
ODBH18V114	Camera adapter for SONY SNC-RX-530, SNC-RX-550, SNC-RX-570, with blower system and fan-assisted heater IN 100-240Vac, camera power supply OUT 12Vdc, 3A
ODBH18V214	Camera adapter for SONY SNC-RX-530, SNC-RX-550, SNC-RX-570, with blower system and fan-assisted heater IN 24Vac
ODBH18C110	Camera adapter with blower system IN 100-240Vac and camera power supply OUT 100/240Vac or 12Vdc, 3A max
ODBH18C210	Camera adapter with blower system IN 24Vac, camera converter OUT 12Vdc, 2A max
ODBH18C112	Camera adapter with blower system IN 100-240Vac and camera power supply OUT 24Vdc, 1.5A max
ODBH18C111	Camera adapter with blower system IN 230Vac and camera power supply OUT 24Vdc, 2A max
ODBH18C211	Camera adapter with blower system IN 24Vac



MEDUSA + DBH06 + PTCC1



MEDUSA + DBH06 + DBHWGC



MEDUSA + DBH07 + DBH08 + DBH09

TECHNICAL DATA

GENERAL

Built-in die-cast aluminium
 Epoxy polyester powder painting, RAL9002 colour
 Lower hemisphere: in PMMA transparent or smoked (in this case the loss of luminosity is 1 lux)
 Sunshield in ABS for outdoor, RAL9002 colour
 Supplied with instruction manual, cable glands and protection gasket

MECHANICAL

External dimensions with sunshield: Ø 351x335mm (13.8x13.2in)
 External dimensions without sunshield: Ø 314x322mm (12.4x12.7in)
 4 cable-glands: 3xM16 allowing Ø cable 3,5-7mm (0.1-0.3in), 1xM12 allowing Ø cable 5-10mm (0.2-0.4in)

ELECTRICAL

FAN ASSISTED HEATER, TON 15°C±3°C (59°F±5°F) TOFF 22°C±3°C (71°F±5°F)

- IN 24Vac, consumption 24W max
- IN 100/240Vac, consumption 44W max

CAMERA POWER SUPPLY INCLUDED WITH INTERNAL ADAPTER

- IN 100/240Vac, 50/60Hz, OUT 12Vdc, 3A max
- IN 100/240Vac, 50-60Hz, OUT 24Vdc, 1.5A max
- IN 230Vac, 50/60Hz, OUT 24Vdc, 2A max
- IN 24Vac/24Vdc, 50/60Hz, OUT 12Vdc, 2A max

BLOWER IN CONTINUOUS DUTY FOR HEATER ASSISTANCE TON 15°C±3°C (59°F±5°F) TOFF 22°C±3°C (71°F±5°F)

- IN 12Vdc, consumption 4W max

BLOWER FOR AIR-EXCHANGE WITH THERMOSTAT TON 35°C±3°C (95°F±5°F) TOFF 20°C±3°C (68°F±5°F)

- IN 12Vdc, consumption 4W max

ENVIRONMENT

Indoor / Outdoor
 Operating temperature with standard fan-assisted heater: -20°C / +60°C (-4°F / +140°F)
 Operating temperature with reinforced heater kit (to be installed only with adapters ODBH18H series and only with camera and lens options guaranteed to work in operating temperatures down to -10° (14F°): -30°C / +50°C (-22°F / +122°F)

CERTIFICATIONS

CE EN61000-6-3, EN60950-1, EN50130-4
 IP66 EN60529
 IP44 EN60529 for models with cooling blower and double filter

ACCESSORIES

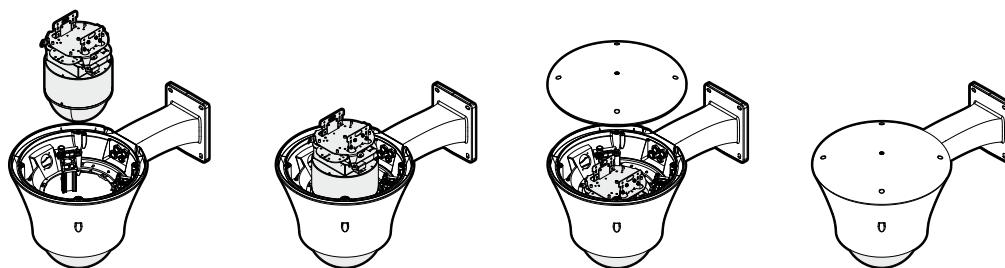
ODBH18K1 Reinforced fan-assisted heater 115/230Vac, 88W
 ODBH18K2 Reinforced fan-assisted heater 12Vdc/24Vac, 48W
 ODBH18PLDT Polycarbonate clear bubble for DBH18
 ODBH18PLDF Polycarbonate smoked bubble for DBH18

BRACKETS AND ADAPTORS

DBH06 Cable management wall mount
 DBH07 Cable management ceiling / parapet mount
 DBH08 Linear extension for DBH07
 DBH09 Rotating plate for DBH07
 PTCC1 Pole adapter for DBH06
 DBHWGC Pole adapter Ø 210mm max 225mm (8.2"max 8.85")
 WCWGC Corner adapter for DBH06

SPARE PARTS

ODBH18PLFR Smoked bubble
 ODBH18PLTR Transparent bubble



PACKAGE

Code	Unit weight		Package weight		Package dimensions (WxHxL)		Master carton unit
	kg	lb	kg	lb	cm	in	
DBH18	4.2 *	9.3	5.3	11.7	38.0x38.0x41.0	14.9x14.9x16.1	-

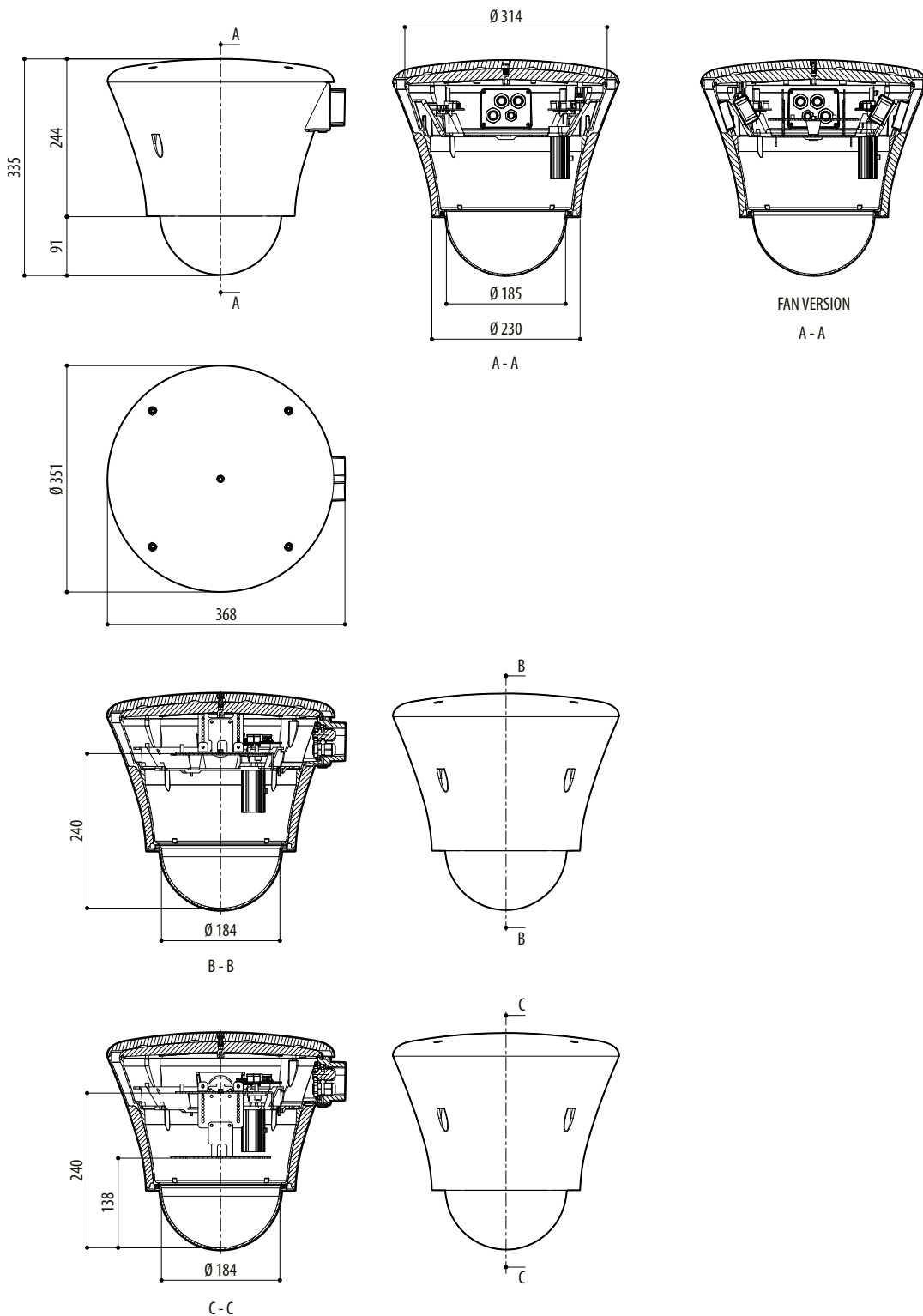
* Without camera adapter.

SELECTION GUIDE TO MEDUSA ADAPTERS

		Main power supply	
		24Vac	100-240Vac
Cameras voltage	12Vdc	ODBH18H210, ODBH18V210, ODBH18C210	ODBH18H110, ODBH18V110, ODBH18C110, ODBH18H114, ODBH18V114
	24Vac	ODBH18H211, ODBH18V211, ODBH18C211, ODBH18H214, ODBH18V214	ODBH18H111, ODBH18V111, ODBH18C111
	24Vdc	-	ODBH18H112, ODBH18V112, ODBH18C112
	230Vac	-	ODBH18H110, ODBH18V110, ODBH18C110

TESTED CAMERAS

	Models	ODBH18H110 ODBH18V110 ODBH18C110	ODBH18H210 ODBH18V210 ODBH18C210	ODBH18H111 ODBH18V111 ODBH18C111	ODBH18H211 ODBH18V211 ODBH18C211	ODBH18H112 ODBH18V112 ODBH18C112	ODBH18H114 ODBH18V114 ODBH18C114 ODBH18V214
ACTi	ACM-8511	•	•				
	CAM-6510			•	•		
AXIS	213	•	•				
	214	•	•				
	215	•	•				
	231, 232			•	•		
	233D				•	•	
GRANDEYE	HALOCAM IPC	•					•
JVC	TK-C685			•	•		
	TK-C685E			•	•		
	TK-C686			•	•		
	TK-C686E			•	•		
	VN-V685U			•	•		
	VN-V686U			•	•		
PANASONIC	BB-HCM381	•	•				
	WV-NS202	•	•				
	WV-NS950	•					
	WV-CS950	•					
	WV-CS954			•	•		
SONY	SNC-RZ25P	•	•	•	•		
	SNC-RZ30	•	•				
	SNC-RZ50P	•	•				
	SNC-RX-530						•
	SNC-RX-550						•
	SNC-RX-570						•



MEDUSA

mm 1:10

