

- Patented top-opening system
- Indoor/Outdoor installations
- Universal internal adapter for several speed domes and network PTZ cameras
- Camera power supply equipped with internal adapter
- Version with cooling device
- Protection rating IP66 [not for double filter cooled version]
- Fan-assisted heater



*Innovative - Universal - Accurate: MEDUSA brings a real revolution within the dome enclosures' world.*

*Innovative, thanks to the unique and patented top-opening system, designed to give easy access to all cabling, connections and the dome camera for an incredibly comfortable installation and service.*

*Universal, since all the available camera adapters are very simply mechanically adjustable, allowing the positioning and the fastening of almost every speed dome and PTZ network camera existing in the market. Moreover all internal adapters are equipped with a camera power supply and are always sold separately, as it can be chosen according to the main power available on site.*

*Accurate, because its internal bracket has been designed in such a way that the installed camera travels parallel to the arc of the bubble, maintaining a high image accuracy.*

*These general characteristics along with the MEDUSA's rugged qualities and attractive design means you can look at dome housings from a different perspective.*

*The MEDUSA is suitable for indoor and outdoor installations, having an IP66 weatherproof protection rating. Made of die-cast aluminium with a PMMA bubble, its special design allows it to be camouflaged to*

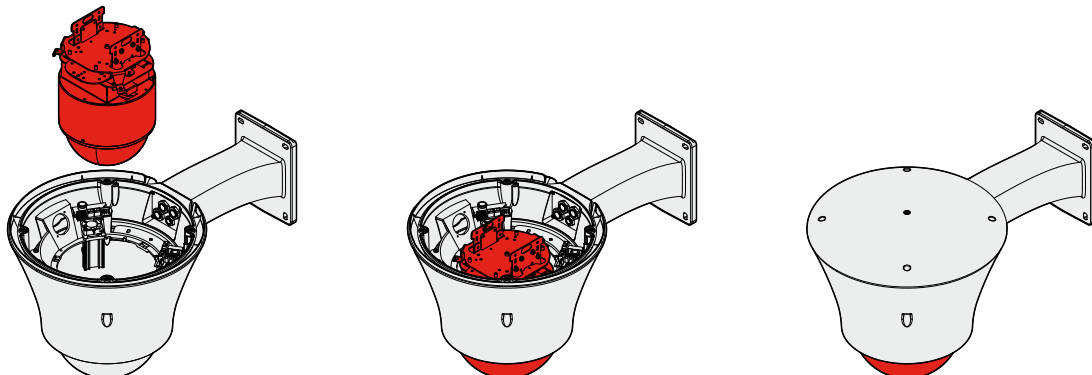
*look like a normal lighting system, thus allowing discreet surveillance of the area.*

*Different mounting options are available, all with internal cable management for protection of the cables: wall bracket, corner and pole adapters. The ceiling/parapet bracket is equipped as an option with a rotating plate which allows the rotation of the arm and simplifies the assembling operations and the maintenance of the housing and camera.*

*MEDUSA is supplied as standard with a sunshield and a fan-assisted heater. When it is important to keep the internal temperature of the housing down, we have designed an efficient cooling system, which consists of 2 filters placed in the body of the housing and two blowers placed in the internal adapter in order to allow internal/external air circulation to occur.*

*A reinforced heater, for low temperature environments, is available as an easy installable accessory.*

*The lower hemisphere is available in fully transparent or smoked version.*



MEDUSA	
<b>Dome enclosure</b>	
<b>DBH18K0F022</b>	Dome enclosure with sunshield and smoked bubble (camera adapter not included)
<b>DBH18K0F028</b>	Dome enclosure with sunshield and clear bubble (camera adapter not included)
<b>Internal camera adapters</b>	
<b>ODBH18H110</b>	Camera adapter with fan-assisted heater IN 100-240Vac and camera power supply OUT 100/240Vac or 12Vdc, 3A max
<b>ODBH18H210</b>	Camera adapter with fan-assisted heater IN 24Vac and camera power supply IN 24Vac/24Vdc, OUT 12Vdc, 2A max
<b>ODBH18H112</b>	Camera adapter with fan-assisted heater IN 100-240Vac and camera power supply OUT 24Vdc, 1.5A max
<b>ODBH18H111</b>	Camera adapter with fan-assisted heater IN 230Vac and camera power supply OUT 24Vac, 2A max
<b>ODBH18H211</b>	Camera adapter with fan-assisted heater IN 24Vac

MEDUSA	
<b>Dome enclosure with double filter for air exchange</b>	
<b>DBH18K0F023</b>	Dome enclosure with sunshield and smoked bubble, only for camera adapters equipped with blower system (camera adapter not included)
<b>DBH18K0F029</b>	Dome enclosure with sunshield and clear bubble, only for camera adapters equipped with blower system (camera adapter not included)
<b>Internal camera adapters</b>	
<b>ODBH18V110</b>	Camera adapter with blower system, fan-assisted heater IN 100-240Vac and camera power supply OUT 100/240Vac or 12Vdc, 3A max
<b>ODBH18V210</b>	Camera adapter with blower system, fan-assisted heater IN 24Vac and camera power supply IN 24Vac/24Vdc, OUT 12Vdc, 2A max
<b>ODBH18V112</b>	Camera adapter with blower system, fan-assisted heater IN 100-240Vac and camera power supply OUT 24Vdc, 1.5A max
<b>ODBH18V111</b>	Camera adapter with blower system, fan-assisted heater IN 230Vac and camera power supply OUT 24Vac, 2A max
<b>ODBH18V211</b>	Camera adapter with blower system and fan-assisted heater IN 24Vac
<b>ODBH18C110</b>	Camera adapter with blower system IN 100-240Vac and camera power supply OUT 100/240Vac or 12Vdc, 3A max
<b>ODBH18C210</b>	Camera adapter with blower system IN 24Vac and camera power supply IN 24Vac/24Vdc, OUT 12Vdc, 2A max
<b>ODBH18C112</b>	Camera adapter with blower system IN 100-240Vac and camera power supply OUT 24Vdc, 1.5A max
<b>ODBH18C111</b>	Camera adapter with blower system IN 230Vac and camera power supply OUT 24Vac, 2A max
<b>ODBH18C211</b>	Camera adapter with blower system IN 24Vac

### SELECTION GUIDE TO MEDUSA ADAPTORS

		MAIN POWER SUPPLY	
		24Vac	100-240Vac
CAMERAS VOLTAGE	12Vdc	ODBH18H210, ODBH18V210, ODBH18C210	ODBH18H110, ODBH18V110, ODBH18C110
	24Vac	ODBH18H211, ODBH18V211, ODBH18C211	ODBH18H111, ODBH18V111, ODBH18C111
	24Vdc	-	ODBH18H112, ODBH18V112, ODBH18C112
	230Vac	-	ODBH18H110, ODBH18V110, ODBH18C110

### TESTED CAMERAS

	Models	ODBH18H110, ODBH18V110, ODBH18C110	ODBH18H210, ODBH18V210, ODBH18C210	ODBH18H111, ODBH18V111, ODBH18C111	ODBH18H211, ODBH18V211, ODBH18C211	ODBH18H112, ODBH18V112, ODBH18C112
AXIS	213	•	•			
	214	•	•			
	215	•	•			
	231, 232				•	•
	233D				•	•
JVC	TK-C676			•	•	
PANASONIC	BB-HCM381	•	•			
	WV-NS202	•	•			
	WV-CS950	•				
	WV-CS954			•	•	
SANYO	9300P			•	•	
SONY	SNC-RZ25P	•	•	•	•	
	SNC-RZ50P	•	•			
TOSHIBA	IK-WB21A	•	•			
	IK-WB21E	•	•			

9 DOME ENCLOSURES

### TECHNICAL DATA

#### GENERAL

Built in die-cast aluminium  
 Epoxypolyester powder painting, RAL9002 colour  
 Lower hemisphere: in PMMA transparent or smoked (in this case the loss of luminosity is 1 lux)  
 Sunshield in ABS for outdoor, RAL9002 colour

#### MECHANICAL

External dimensions with sunshield: Ø 351x335mm (13.8x13.2in)  
 External dimensions without sunshield: Ø 314x322mm (12.4x12.7in)  
 4 cable-glands: 3xM16 allowing Ø cable 3,5-7mm (0.1-0.3in), 1xM12 allowing Ø cable 5-10mm (0.2-0.4in)  
 Supplied with instruction manual, cable glands and protection gasket

#### ELECTRICAL

**Fan assisted heater, Ton 15°C +/-3°C (59°F +/-5°F) Toff 22°C +/-3°C (71°F +/-5°F)**

- IN 24Vac, consumption 24W max
- IN 100/240Vac, consumption 44W max

**Camera power supply included with internal adapter**

- IN 100/240Vac, 50/60Hz, OUT 12Vdc, 3A max
- IN 100/240Vac, 50-60Hz, OUT 24Vdc, 1.5A max
- IN 230Vac, 50/60Hz, OUT 24Vac, 2A max
- IN 24Vac/24Vdc, 50/60Hz, OUT 12VDC, 2A max

**Blower in continuous duty for heater assistance Ton 15°C +/-3°C (59°F +/-5°F) Toff 22°C +/-3°C (71°F +/-5°F) and blower for air-exchange with thermostat Ton 35°C +/-3°C (95°F +/-5°F) Toff 20°C +/-3°C (68°F +/-5°F)**

- IN 12Vdc, consumption 4W max

**Blower for air-exchange with thermostat Ton 35°C +/-3°C (95°F +/-5°F) Toff 20°C +/-3°C (68°F +/-5°F)**

- IN 12Vdc, consumption 4W max

#### ACCESSORIES

<b>ODBH18K1</b>	Reinforced fan-assisted heater 115/230Vac
<b>ODBH18K2</b>	Reinforced fan-assisted heater 12Vdc/24Vac
<b>DBH06</b>	Cable management wall mount
<b>DBH07</b>	Cable management ceiling / parapet mount
<b>DBH08</b>	Linear extension for DBH07
<b>DBH09</b>	Rotating plate for DBH07

#### RELATED PRODUCTS

<b>PTCC1</b>	Pole adapter for DBH06
<b>WCWGC</b>	Corner adapter for DBH06

#### ENVIRONMENT

Indoor / Outdoor  
 Operating temperature with standard fan-assisted heater: -20°C / +50°C (-4°F / +122°F)  
 Operating temperature with reinforced heater kit (to be installed only with adapters ODBH18H series and only with camera and lens options guaranteed to work in operating temperatures down to -10° (14°F): -30°C / +50°C (-22°F / +122°F)

#### COMPLIANCE TO

CE according to EN61000-6-3, EN 60950, EN50130-4  
 IP66 according to EN 60529

#### SPARE PARTS LIST

<b>OPLEX18F</b>	Smoked bubble
<b>OPLEX18T</b>	Transparent bubble

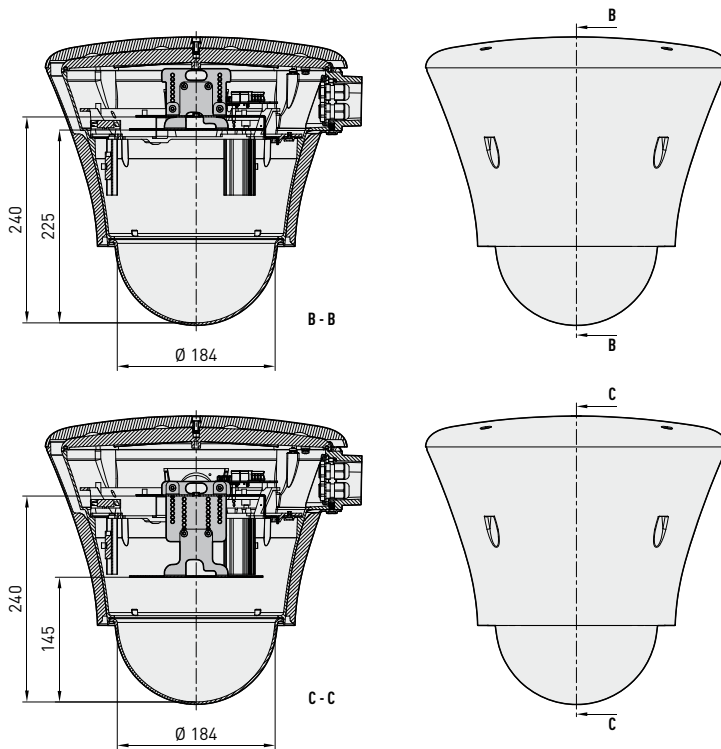
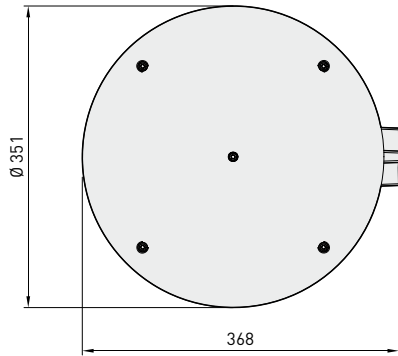
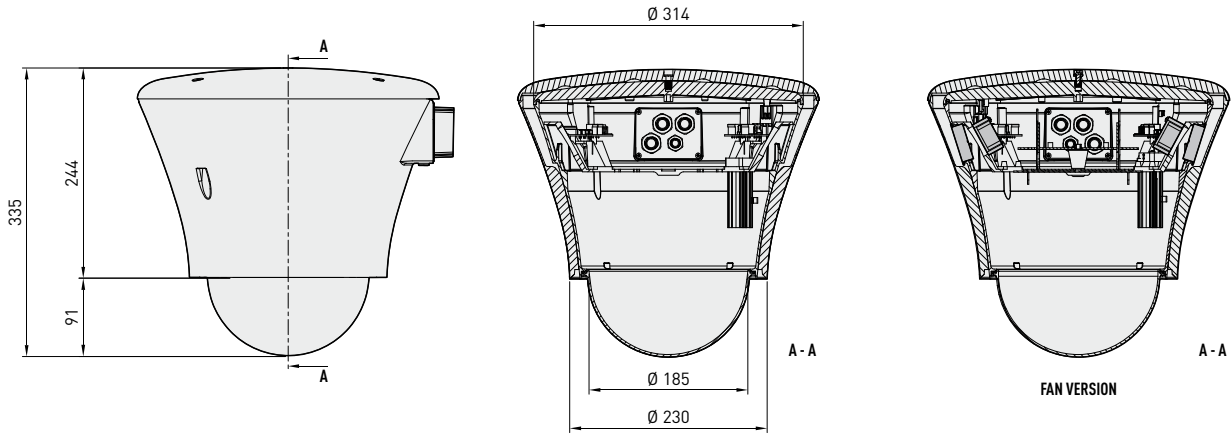


**Unit Weight:**  
**DBH18K** 3.8kg / 8.3lb

**Package Weight:**  
**DBH18K** 4.2kg / 9.3lb

**Package Dimensions (BxHxL):**  
**DBH18K** 38.5x38.5x47cm / 15.1x15.1x18.5in

**Master Carton:**  
**DBH18K** -



The values are in millimeters.

