

### MAIN FEATURES

Germanium glass window

Built-in aluminium

Indoor/outdoor

Supplied with sunshield and 230Vac heater

Solid and reliable

Weatherproof Standard IP66/IP67

### DESCRIPTION

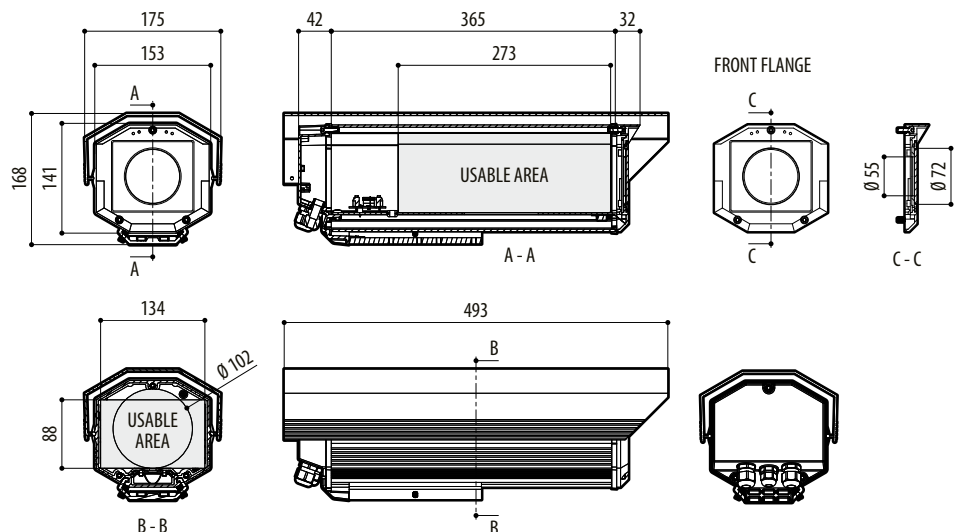
The HTG housing is a weatherproof housing for outdoor installations, equipped with a Germanium viewing window designed for Thermal Imaging Cameras installations. The clear Germanium glass composition with remarkable properties covers transmission from 7.5 to 14µm IR range with the best optical quality.

This housing is constructed from aluminium. Its weatherproof feature is ensured by the extruded aluminium sunshield, the EPDM-rubber end-gasket between the end-cover plates and the body, and three cable glands with their specific gaskets. The installation and adjustment of the camera are made easier due to the ability to remove the body, leaving the internal slide in working position for an easy operation.

Available accessories: sunshield, heater kit, camera power supply, weatherproof junction box, wiper and washer. These accessories are supplied as a simple plug-in kit for an easy installation. It can be installed with cable sheaths, instead of regular cable glands using the junction box for the wiring harness. The HTG housing can be utilized for a variety of applications and it can be coupled with the Pan & Tilt PTH900 series.



HTG



HTG

AVAILABLE MODELS				
Code	Sunshield	Power supply 230Vac	Power supply 24Vac	Ø Germanium Glass
HTG37K1A000	•	•		55mm
HTG37K2A000	•		•	55mm

## TECHNICAL DATA

### GENERAL

Germanium Glass Window  
 Die-cast aluminium back and front cover plates  
 Extruded aluminium body and external slide  
 Epoxypolyester powder painting, RAL9002 colour  
 Stainless steel external screws  
 Supplied with instruction manual, desiccant bag, accessories for camera and lens mounting

### MECHANICAL

3xM16 removable cable glands  
 Internal usable area (WxH): 134x88mm (5.1x3.5in)  
 Internal usable length with and without accessories  
 HTG37 273mm (10.7in)

### GERMANIUM WINDOW GLASS

2mm (0.07in) thick  
 Ø 70mm (2.8in) external, Ø 55mm (2.1in) internal  
 External non-scratch treatment (hard carbon coating)  
 Internal antireflection treatment  
 Spectral range from 7.5 to 14µm IR range  
 Average transmission from 7.5 to 11.5µm, 94%  
 Average transmission from 11.5 to 14µm, 90%

### ELECTRICAL

Heater Ton 15°C±3°C (59°F±5°F) Toff 22°C±3°C (71°F±5°F)  
 • IN 12Vdc/24Vac, consumption 20W max  
 • IN 115/230Vac, consumption 40W max  
 Camera power supply  
 • IN 100-240Vac - OUT 12Vdc, 50/60 Hz, 1A  
 • IN 230Vac - OUT 24Vac, 50/60Hz, 400mA

### ENVIRONMENT

Indoor / Outdoor  
 Operating temperature with heater: -20°C / +60°C (-4°F / +140°F)

## CERTIFICATIONS

### HTG

CE EN61000-6-3, EN60065, EN50130-4  
 IP66/IP67 EN60529 with cable glands

### VIP6A

CE EN61000-6-3, EN60065, EN50130-4  
 IP66 EN60529

## ACCESSORIES

OHEGS37A000	Sunshield for HTG37
OHEH24B	Heater 115/230Vac
OHEH25B	Heater 12Vdc/24Vac
OHEPS19B	Wide range camera power supply IN 100-240Vac - OUT 12Vdc, 1A
OHEPS20	Camera power supply IN 230Vac - OUT 24Vac, 400mA
OHEGBPS1B	Wide range camera power supply IN 100-240Vac - OUT 12Vdc in weatherproof box, 1A
OHEGBPS2B	Camera power supply IN 230Vac - OUT 24Vac in weatherproof box, 400mA
OHEGBB	Weatherproof junction box, IP55
VIP6A1	Wiper kit 230Vac
VIP6A2	Wiper kit 24Vac
VIP5WAS01	Tank 5l (1,3gal), 230Vac washer pump
VIP5WAS02	Tank 5l (1,3gal), 24Vac washer pump
VIP23WAS01	Tank 23l (6gal), 230Vac washer pump
VIP23WAS02	Tank 23l (6gal), 24Vac washer pump
VIP23WASA01	Tank 23l (6gal), 230Vac washer pump, high delivery up 30m (98ft)
UPTWAS01C	Tank 23l (6gal), IN 230Vac washer pump (prearranged for DTWRX board)
UPTWAS02C	Tank 23l (6gal), IN 24Vac washer pump (prearranged for DTWRX board)
UPTWAS03C	Tank 23l (6gal), IN 120Vac washer pump (prearranged for DTWRX board)
UPTWASA01C	Tank 23l (6gal), IN 230Vac washer pump, high delivery up 30m (98ft) (prearranged for DTWRX board)
UPTWASA03C	Tank 23l (6gal), IN 120Vac washer pump, high delivery up 30m (98ft) (prearranged for DTWRX board)
DTWRX	Optional board for remote control of wiper and washer pump of the UPTWAS series

## BRACKETS AND ADAPTORS

WBJA	Wall bracket with ball joint
WCMSA	Ceiling bracket with ball joint
WFWCA	Column mount with ball joint

## RELATED PRODUCTS

PTH900	Pan&Tilt series
--------	-----------------

## SPARE PARTS

DOTHE01	Spacers for camera and lens
OHEGNMAN	Cable glands, gaskets and screws
OHEGFN04	Back cover with screws and gaskets
OHTGFA	Complete HTG front cover

PACKAGE							
Code	Unit weight		Package weight		Package dimensions (WxHxL)		Master carton unit
	kg	lb	kg	lb	cm	in	
HTG37K1	4.1	9.0	4.5	9.9	19.5x20.0x52.5	7.7x7.8x20.6	-