

- HiPoE to power heater & network camera
- Integrated HiPoE splitter 24W, 12Vdc
- Standard cable Cat.5e
- Compatible with HiPoE Microsemi midspans
- Indoor / Outdoor installations
- Weatherproof standard IP66/IP67
- Version with reinforced cooling system

The HOV Hi-PoE housing has been designed to simplify installation and servicing for the IP and Megapixel cameras, thanks to the benefits of Hi-PoE (Power over Ethernet). This technology allows to feed the 12Vdc cameras as well as the heater directly from the Ethernet cable. No need to add external power sources or bring additional power cables into the enclosure.

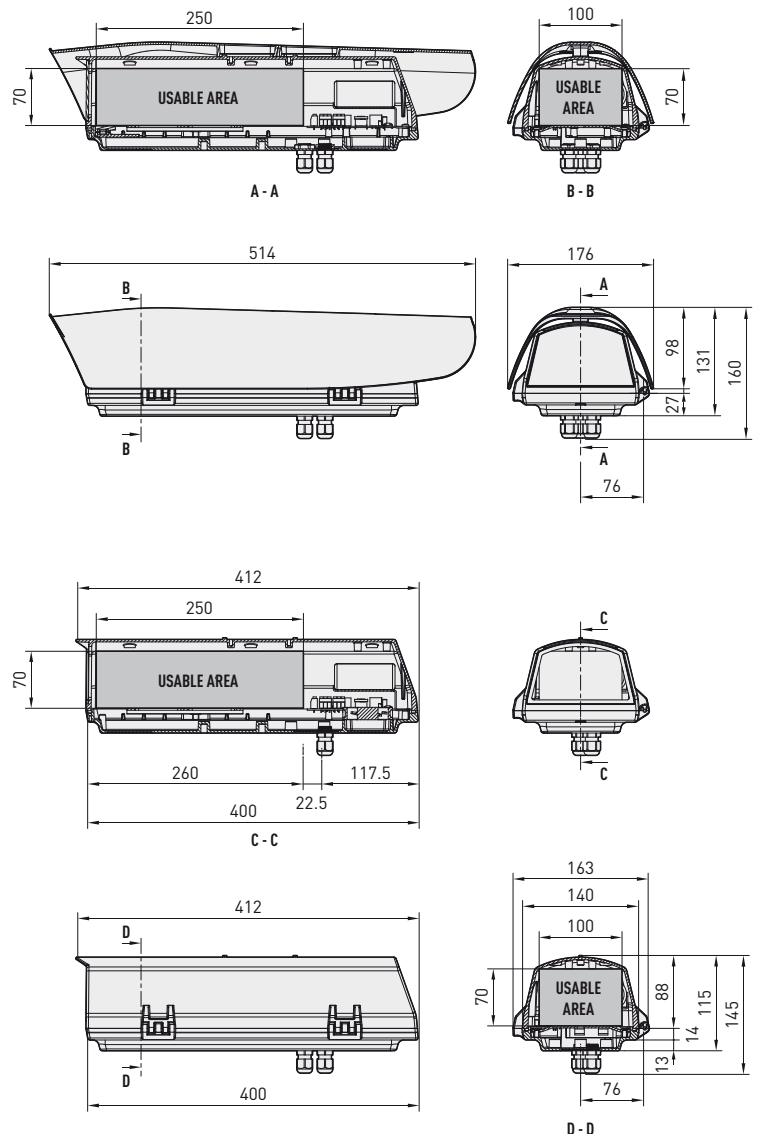
If the network does not have Hi-PoE, you can add it by using the 1 channel Power Injector (accessory available as an option). In addition VIDEOTEC certifies the compatibility of the Microsemi HiPoE Multi Port 7000 Midspans series (available in 6,12 and 24 channels versions).

The HOV Hi-PoE housing ensures total protection against all environmental conditions. Thanks to the side opening, the accessibility to the camera, lens and all its connections is made far easier. Its weatherproof feature is ensured by a neoprene-rubber gasket.

The body is constructed from aluminium, the sunshield in ABS.

The HOV Hi-PoE offers the possibility of various mounting options: wall or ceiling brackets (feedthrough and non-feedthrough) or Pan & Tilt head.

A specific version with a very efficient cooling system is available for high environmental temperature.



The values are in millimeters.

HOV HI-POE

HI-POE SIDE OPENING ALUMINIUM HOUSING



TECHNICAL DATA

3

HOUSINGS FOR IP AND MEGAPIXEL CAMERAS

HOV Hi-PoE			
Model	Sunshield	Heater	Blower with double air exchange filter
HOV32K2A600	•	•	
HOV32K2A616	•	•	•

GENERAL

Die-cast aluminium
 Sunshield in ABS
 Epoxypolyester powder painting, RAL9002 colour
 Stainless steel external screws
 Supplied with instruction manual, desiccant bag, accessories for camera and lens mounting

MECHANICAL

3 cable glands 1xM12 – 1xM16 – 1xM20 for mod. 600
 3 cable glands 3xM16 for mod. 616 (with blower)
 Glass window (WxH): 118x75mm [4.6x2.7in]
 Internal usable area (WxH): 100x70mm [3.9x2.7in]
 Internal usable length with and without accessories: 250mm [9.8in]

ELECTRICAL

Available power for camera: 10W, 12Vdc
 Heater Ton 15°C+/-3°C [59°F +/-37°F] Toff 22°C+/-3°C [71°F +/-37°F]
 Blower with thermostat Ton 35°C+/-3°C [95°F +/-37°F] Toff 20°C+/-3°C [71°F +/-37°F] for version with double filter
 PoE IN: 10/100/1000Base-T
 Data OUT: 10/100/1000Base-T
 DC OUT: 12Vdc, external pole GND

Compatible with the Power Injector (ref. OHEPOWINJ VIDEOTECH accessory)

- 1 channel PoE supply PoE - LAN 10/100/1000Base-T
- IN AC 90/264Vac, 1A
- Operating temperature: 0°C/+40°C [32°F/104°F]

Compatible also with Microsemi HiPoE Multi Port 7000 Midspans series (available in 6,12 and 24 port versions)

ACCESSORIES

OHEPOWINJ 1 ch. Hi-PoE Power Injector
 OHEGBB Weatherproof junction box IP55

RELATED PRODUCTS

WBJA Wall bracket with ball joint
 WBOVA2 Wall bracket with internal cable channel
 WBOV3A2 Wall bracket with internal cable channel, support plate and integrated junction box
 WCM3A Ceiling bracket with ball joint
 WCM5A Ceiling bracket with ball joint
 WCM4A2 Ceiling bracket with internal cable channel
 WFWCA Column mount with ball joint
 OWBIP2 Sealing rings kit (3xM16) to allow IP66/IP67 protection for WBOVA2, WCM4A2 brackets
 OWBIP3 Sealing rings kit (1xM12 – 1xM16 – 1xM20) to allow IP66/IP67 protection for WBOVA2 and WCM4A2 brackets (for HOV Hi-PoE and VERSO Hi-PoE mod. 600)
 PTH300 Pan&Tilt series
 PTH900 Pan&Tilt series

ENVIRONMENT

Indoor / Outdoor
 Operating temperature with heater: -20°C / +50°C [-4°F / +122°F]
 Resistant to the salty fog until 1000 hours (according to ISO9227)

COMPLIANCE TO

CE according to EN 61000-6-3, EN 60950-1, EN50130-4
 IP66/IP67 according to EN 60529 with cable glands
 IP66/IP67 according to EN 60529 with special gaskets and bracket with internal cable channel
 IP55 according to EN 60529 with bracket with internal cable channel
 Replacement filter kit for double filter housings

SPARE PARTS LIST

OH0V32SUP Complete upper body
 OBKFIL Replacement filter kit for double filter housings

	Unit Weight: HOV32K2A600 3,1kg / 6.6lb	Package Weight: HOV32K2A600 3,5kg / 7.7lb	Package Dimension (WxHxL): HOV32K2A600 19.5x14.5x 52.8cm / 7.7x5.7x20.8in	Master Carton: HOV32K2A600 4 units
--	--	---	---	--