

### MAIN FEATURES

Indoor/Outdoor installations

Aluminium epoxy painted

Hinged removable body

Wide range of accessories available

Weatherproof Standard IP66/IP67

### DESCRIPTION

The HEM dimensions are suitable to contain cameras equipped with fixed lenses.

Constructed from aluminium. The opening system allows access to the housings for a rapid installation and an easy camera adjustment.

Its weatherproof feature is ensured by EPDM-rubber gaskets and by 2 cable glands.

A wide range of accessories is available: sunshield, heater standard or fan-assisted kit, blower and camera power supply.

The accessories are supplied factory installed or as simple upgrade kit.

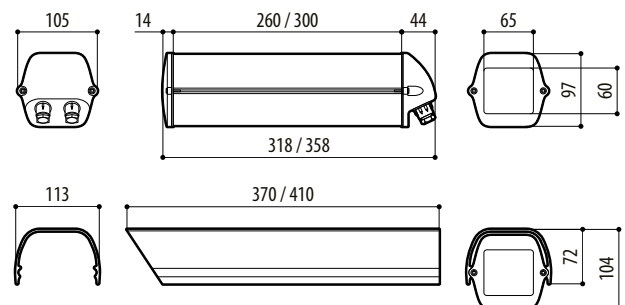
Further, it is also possible to install a blower with an air filter replacing one of the cable glands.



HEM

### AVAILABLE MODELS

Code	Sunshield	Heater 115/230Vac	Heater 12Vdc/24Vac	Fan assisted heater 24Vac	Max consumption
HEM26D0A000					
HEM26K0A000	•				
HEM26K1A000	•	•			40W
HEM26K2A000	•		•		20W
HEM30D0A000					
HEM30K0A000	•				
HEM30K1A000	•	•			40W
HEM30K2A000	•		•		20W
HEM30K2A015	•			•	24W



HEM

mm 1:10

## TECHNICAL DATA

## GENERAL

Aluminium back and front cover plates  
 Extruded aluminium body and external slide  
 Epoxypolyester powder painting, RAL9002 colour  
 Stainless steel external screws  
 Supplied with instruction manual, desiccant bag, accessories for camera and lens mounting

## MECHANICAL

2xM16 cable glands  
 Glass window (WxH): 62x 57mm (2.4x2.2in)  
 Internal usable area (WxH): 70x65mm (2.7x2.5in)  
 Internal usable length without accessories  
 HEM26 260mm (10.2in)  
 HEM30 300mm (11.8in)  
 Internal usable length with heater and/or power supply  
 HEM26 180mm (7in)  
 HEM30 230mm (9in)  
 Internal usable length with heater and/or blower  
 HEM26 190mm (7.5in)  
 HEM30 230mm (9in)

## ELECTRICAL

Heater Ton 15°C±3°C (59°F±5°F) Toff 22°C±3°C (71°F±5°F)  
 • IN 12Vdc/24Vac, consumption 20W max  
 • IN 115/230Vac, consumption 40W max  
 Blower with thermostat air filter, Ton 35°C±3°C (95°F±5°F) Toff 20°C±3°C (71°F±5°F) and back cover  
 • IN 12Vdc, consumption 4W max  
 • IN 24Vac, consumption 4W max  
 Camera power supply  
 • IN 230Vac - OUT 12Vdc, 50/60Hz, 400mA  
 • IN 230Vac - OUT 24Vac, 50/60Hz, 400mA

## ENVIRONMENT

Indoor / Outdoor  
 Operating temperature with heater: -20°C / +60°C (-4°F / +140°F)  
 Resistant to salty fog until 1000 hours (according to ISO9227)

## CERTIFICATIONS

CE EN61000-6-3, EN60065, EN50130-4  
 IP66/IP67 EN60529

## ACCESSORIES

OHEMS26A000 Sunshield for HEM26  
 OHEMS30A000 Sunshield for HEM30  
 OHEH01B Heater 12Vdc/24Vac  
 OHEH02B Heater 115/230Vac  
 OHEMVF1A Blower with thermostat air filter IN 12Vdcr  
 OHEMVF2A Blower with thermostat air filter IN 24Vac  
 OHEPS05 Camera power supply IN 230Vac - OUT 12Vdc, 400mA  
 OHEPS06 Camera power supply IN 230Vac - OUT 24Vac, 400mA  
 OHEGBB Weatherproof junction box IP55

## BRACKETS AND ADAPTORS

WBMA Wall bracket with ball joint  
 WCM3A Ceiling bracket with ball joint  
 WCM5A Ceiling bracket with ball joint  
 WFWCA Column mount with ball joint

## RELATED PRODUCTS

PTH300 Pan&Tilt series  
 PTH900 Pan&Tilt series

## SPARE PARTS

DOTHE02 Spacers for camera and lens  
 OHEMMAN Cable glands, gaskets and screws kit  
 OHEMFA04 Front cover with screws and gaskets  
 OHEMFP04 Back cover with cable glands, screws and gaskets

## PACKAGE

Code	Unit weight		Package weight		Package dimensions (WxHxL)		Master carton
	kg	lb	kg	lb	cm	in	unit
HEM26K1	1.8	3.9	2.0	4.4	13.5x13.5x45.0	5.3x5.3x17.7	12
HEM30K1	2.0	4.4	2.2	4.8	13.5x13.5x45.0	5.3x5.3x17.7	12