

# HEG

## LARGE-SIZED HOUSING

### MAIN FEATURES

For large lenses

IP66/IP67

Slide extractable body

Version available with a very efficient cooling system for installation with IP cameras and for high environmental temperature

Versions with reinforced double heater (down to  $-40^{\circ}\text{C}$  ( $-40^{\circ}\text{F}$ ) or triple (down to  $-50^{\circ}\text{C}$  ( $-58^{\circ}\text{F}$ ))

Available accessories: heater, camera power supply, wiper, washer pump

### DESCRIPTION

Robust and large aluminum housing designed to fit combinations of 1/2", 1/3" and 1/4" cameras and with optics of different kinds.

It can be used for a variety of applications, for the monitoring of urban and highways, in particular if coupled with the PTH900 P&T series .

The opening system allows an easy access for installation and servicing.

It can be installed with cable sheaths, instead of regular cable glands using the junction box for the wiring harness.

A wide range of accessories for mounting the equipment is available thereby satisfying all installation needs.



HEG



HEG + VIP6A



HEG: VERSION WITH COOLING DEVICE

**TECHNICAL DATA****GENERAL**

Aluminium back and front cover plates  
 Extruded aluminium body and external slide  
 Epoxypolyester powder painting, RAL9002 colour  
 Stainless steel external screws  
 Supplied with instruction manual, desiccant bag, accessories for camera and lens mounting

**MECHANICAL**

Cable glands: 3xM16  
 Glass window (WxH): 94x80mm (3.7x3.1in)  
 Internal usable area (WxH): 134x88mm (5.1x3.5in)  
 Internal usable area with double or triple heater (WxH): 100x88mm (3.9x3.5in)  
 Internal usable length (without accessories):  
 HEG37 365mm  
 HEG47 450mm (17.7in)  
 Internal usable length (with accessories):  
 HEG37 273mm (10.8in)  
 HEG47 363mm (14.3in)  
 Unit weight: 4.1kg-9lb(HEG37), 4.7kg-10.3lb (HEG47)

**ELECTRICAL**

Heater (Ton 15°C±3°C (59°F±5°F), Toff 22°C±3°C (77°F±5°F))

- Power supply/Consumption: IN 12Vdc/24Vac, 20W max
- Power supply/Consumption: IN 120/230Vac, 40W max, 80W max (double heater), 120W+4W(fan assisted triple heater)

Blower with thermostat Ton 35°C±3°C (95°F±5°F) Toff 20°C±3°C (71°F±5°F) for version with double filter

- IN 12Vdc, consumption 4W max
- IN 24Vac, consumption 4W max

Camera power supply

- IN 100-240Vac, 50/60Hz - OUT 12Vdc, 1A
- IN 230Vac - OUT 24Vac, 50/60Hz, 400mA

**ENVIRONMENT**

Indoor/Outdoor  
 Operating temperature with heating: -20°C / +60°C (-4°F / +140°F)  
 Operating temperature with double heater: -40°C / +60°C (-40°F / +140°F)  
 Operating temperature with triple heater: -50°C / +60°C  
 Resistant to salty fog until 1000 hours (according to ISO9227)

**CERTIFICATIONS**

HEG  
 CE EN61000-6-3, EN60065, EN50130-4  
 IP66/IP67 EN60529 with cable glands  
 IP44 EN60529 for models with cooling blower and double filter  
 VIP6A  
 CE EN61000-6-3, EN60065, EN50130-4  
 IP66 EN60529

**ACCESSORIES**

OHEPS19B	Wide range camera power supply IN 100-240Vac - OUT 12Vdc, 15W, for VERSO, VERSO POLAR, VERSO COMPACT, HEG, HTG housings
OHEPS20	Camera power supply IN 230Vac - OUT 24Vac, 10VA, for VERSO, VERSO POLAR, VERSO COMPACT, HEG, HTG housings
OHEGBPS1B	Wide range camera power supply IN 100-240Vac - OUT 12Vdc in weatherproof box, 15W, for VERSO, VERSO POLAR, HEG, HTG housings
OHEGBPS2B	Camera power supply IN 230Vac - OUT 24Vac in weatherproof box, 10VA, for VERSO, VERSO POLAR, HEG, HTG housings
OHEGBB	Weatherproof junction box
VIP6A1	Wiper 230Vac for HEG housings
VIP6A2	Wiper 24Vac for HEG housings
WASOV5L5M00	Water tank 5l, pump with delivery up to 5m (16ft), IN 230Vac-24Vac-120Vac
WASOV23L5M00	Water tank 23l, pump with delivery up to 5m (16ft), IN 230Vac-24Vac-120Vac
WASOV23L11M00	Water tank 23l, pump with delivery up to 11m (36ft), IN 230Vac-24Vac-120Vac
WAS1V23L30M00	Water tank 23l, pump with delivery up to 30m (98ft) with water floating, IN 230Vac
WAS3V23L30M00	Water tank 23l, pump with delivery up to 30m (98ft) with water floating, IN 120Vac
WASPTOV5L5M00	Water tank 5l, pump with delivery up to 5m (16ft), IN 230Vac-24Vac-120Vac
WASPTOV23L5M00	Water tank 23l, pump with delivery up to 5m (16ft), IN 230Vac-24Vac-120Vac
WASPTOV23L11M00	Water tank 23l, pump with delivery up to 11m (36ft), IN 230Vac-24Vac-120Vac
WASPT1V23L30M00	Water tank 23l, pump with delivery up to 30m (98ft) with water floating, IN 230Vac
WASPT3V23L30M00	Water tank 23l, pump with delivery up to 30m (98ft) with water floating, IN 120Vac
DTWRX	Data receiver for remote control of the wiper and WASPT range pumps

**BRACKETS AND ADAPTORS**

WBJA	Ceiling bracket with ball joint
WCM5A	Ceiling bracket with ball joint
WFWCA	Column bracket with joint

**RELATED PRODUCTS**

PTH900	Horizontal/vertical Pan & Tilt
--------	--------------------------------

**SPARE PARTS**

OHEGS37A000	Sunshield
OHEGS47A000	Sunshield HEG47
OHEH25B	Heater 12Vdc/24Vac for HEG, HTG, AVTPSK, AVTPSC housings
OHEH24B	Heater 120/230Vac for HEG, HTG, AVTPSK, AVTPSC housings
DOTHE01	Spacers for camera and lens
OHEGNMAN	Cable glands, gaskets and screws
OHEGFA04	Front cover with screws and gaskets
OHEGFPN04	Back cover with cable glands, gaskets and screws

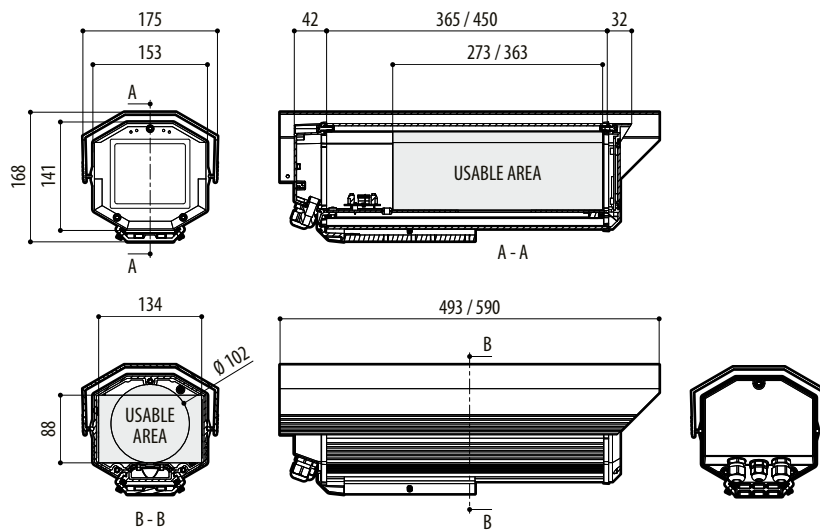
**PACKAGE**

Model Number	Weight	Dimensions (WxHxL)	Master carton
HEG37K1A000	4.1kg (9lb)	19.5x20x52.5cm (7.7x7.9x20.7in)	8
HEG47K1A000	4.7kg (10.3lb)	19.5x20x62cm (7.7x7.9x24.4in)	6

AVAILABLE MODELS								
Model Number	Sunshield	Heater 120Vac/230Vac	Heater 12Vdc/24Vac	24Vac fan with double air exchange filter	PS 100/240Vac IN, OUT 12Vdc, 1A for fan, with double air exchange filter	Double heater 120/230Vac	Triple fan- assisted heating 120/230Vac	Max consumption
HEG37K0A000	✓	-	-	-	-	-	-	-
HEG37K1A000	✓	✓	-	-	-	-	-	40W
HEG37K1A074	✓	-	-	-	-	✓	-	80W
HEG37K1A143	✓	-	-	-	-	-	✓	124W
HEG37K2A000	✓	-	✓	-	-	-	-	20W
HEG47K1A000	✓	✓	-	-	-	-	-	40W
HEG47K1A018	✓	✓	-	-	✓	-	-	44W
HEG47K2A000	✓	-	✓	-	-	-	-	20W
HEG47K2A016	✓	-	✓	✓	-	-	-	24W

## TECHNICAL DRAWINGS

Sizes in millimeters.



HEG

