

# HEG

## LARGE-SIZED HOUSING

### MAIN FEATURES

For large lenses

IP66/IP67

Slide extractable body

Version available with a very efficient cooling system for installation with IP cameras and for high environmental temperature

Versions with reinforced double heater (down to  $-40^{\circ}\text{C}$  ( $-40^{\circ}\text{F}$ ) or triple (down to  $-50^{\circ}\text{C}$  ( $-58^{\circ}\text{F}$ ))

Available accessories: heater, camera power supply, wiper, washer pump

### DESCRIPTION

Robust and large aluminum housing designed to fit combinations of 1/2", 1/3" and 1/4" cameras and with optics of different kinds.

It can be used for a variety of applications, for the monitoring of urban and highways, in particular if coupled with the PTH900 P&T series .

The opening system allows an easy access for installation and servicing.

It can be installed with cable sheaths, instead of regular cable glands using the junction box for the wiring harness.

A wide range of accessories for mounting the equipment is available thereby satisfying all installation needs.



HEG



HEG + VIP6A



HEG: VERSION WITH COOLING DEVICE

**TECHNICAL DATA****GENERAL**

Aluminium back and front cover plates  
 Extruded aluminium body and external slide  
 Epoxypolyester powder painting, RAL9002 colour  
 Stainless steel external screws  
 Supplied with instruction manual, desiccant bag, accessories for camera and lens mounting

**MECHANICAL**

Cable glands: 3xM16  
 Glass window (WxH): 94x80mm (3.7x3.1in)  
 Internal usable area (WxH): 134x88mm (5.1x3.5in)  
 Internal usable area with double or triple heater (WxH): 100x88mm (3.9x3.5in)  
 Internal usable length (without accessories):  
 HEG37 365mm  
 HEG47 450mm (17.7in)  
 Internal usable length (with accessories):  
 HEG37 273mm (10.8in)  
 HEG47 363mm (14.3in)  
 Unit weight: 4.1kg-9lb(HEG37), 4.7kg-10.3lb (HEG47)

**ELECTRICAL**

Heater (Ton 15°C±3°C (59°F±5°F), Toff 22°C±3°C (77°F±5°F))

- Power supply/Consumption: IN 12Vdc/24Vac, 20W max
- Power supply/Consumption: IN 120/230Vac, 40W max, 80W max (double heater), 120W+4W(fan assisted triple heater)

Blower with thermostat Ton 35°C±3°C (95°F±5°F) Toff 20°C±3°C (71°F±5°F) for version with double filter

- IN 12Vdc, consumption 4W max
- IN 24Vac, consumption 4W max

Camera power supply

- IN 100-240Vac, 50/60Hz - OUT 12Vdc, 1A
- IN 230Vac - OUT 24Vac, 50/60Hz, 400mA

**ENVIRONMENT**

Indoor/Outdoor  
 Operating temperature with heating: -20°C / +60°C (-4°F / +140°F)  
 Operating temperature with double heater: -40°C / +60°C (-40°F / +140°F)  
 Operating temperature with triple heater: -50°C / +60°C  
 Resistant to salty fog until 1000 hours (according to ISO9227)

**CERTIFICATIONS**

HEG  
 CE EN61000-6-3, EN60065, EN50130-4  
 IP66/IP67 EN60529 with cable glands  
 IP44 EN60529 for models with cooling blower and double filter  
 VIP6A  
 CE EN61000-6-3, EN60065, EN50130-4  
 IP66 EN60529

**ACCESSORIES**

|                 |  |
|-----------------|--|
| OHEPS19B        | Wide range camera power supply IN 100-240Vac - OUT 12Vdc, 15W, for VERSO, VERSO POLAR, VERSO COMPACT, HEG, HTG housings      |
| OHEPS20         | Camera power supply IN 230Vac - OUT 24Vac, 10VA, for VERSO, VERSO POLAR, VERSO COMPACT, HEG, HTG housings                    |
| OHEGBPS1B       | Wide range camera power supply IN 100-240Vac - OUT 12Vdc in weatherproof box, 15W, for VERSO, VERSO POLAR, HEG, HTG housings |
| OHEGBPS2B       | Camera power supply IN 230Vac - OUT 24Vac in weatherproof box, 10VA, for VERSO, VERSO POLAR, HEG, HTG housings               |
| OHEGBB          | Weatherproof junction box  |
| VIP6A1          | Wiper 230Vac for HEG housings  |
| VIP6A2          | Wiper 24Vac for HEG housings   |
| WASOV5L5M00     | Water tank 5l, pump with delivery up to 5m (16ft), IN 230Vac-24Vac-120Vac  |
| WASOV23L5M00    | Water tank 23l, pump with delivery up to 5m (16ft), IN 230Vac-24Vac-120Vac   |
| WASOV23L11M00   | Water tank 23l, pump with delivery up to 11m (36ft), IN 230Vac-24Vac-120Vac  |
| WAS1V23L30M00   | Water tank 23l, pump with delivery up to 30m (98ft) with water floating, IN 230Vac   |
| WAS3V23L30M00   | Water tank 23l, pump with delivery up to 30m (98ft) with water floating, IN 120Vac   |
| WASPTOV5L5M00   | Water tank 5l, pump with delivery up to 5m (16ft), IN 230Vac-24Vac-120Vac  |
| WASPTOV23L5M00  | Water tank 23l, pump with delivery up to 5m (16ft), IN 230Vac-24Vac-120Vac   |
| WASPTOV23L11M00 | Water tank 23l, pump with delivery up to 11m (36ft), IN 230Vac-24Vac-120Vac  |
| WASPT1V23L30M00 | Water tank 23l, pump with delivery up to 30m (98ft) with water floating, IN 230Vac   |
| WASPT3V23L30M00 | Water tank 23l, pump with delivery up to 30m (98ft) with water floating, IN 120Vac   |
| DTWRX           | Data receiver for remote control of the wiper and WASPT range pumps  |

**BRACKETS AND ADAPTORS**

|       |                                 |
|-------|---------------------------------|
| WBJA  | Ceiling bracket with ball joint |
| WCMSA | Ceiling bracket with ball joint |
| WFWCA | Column bracket with joint       |

**RELATED PRODUCTS**

|        |                                |
|--------|--------------------------------|
| PTH900 | Horizontal/vertical Pan & Tilt |
|--------|--------------------------------|

**SPARE PARTS**

|             |  |
|-------------|--|
| OHEGS37A000 | Sunshield  |
| OHEGS47A000 | Sunshield HEG47  |
| OHEH25B     | Heater 12Vdc/24Vac for HEG, HTG, AVTPSK, AVTPSC housings |
| OHEH24B     | Heater 120/230Vac for HEG, HTG, AVTPSK, AVTPSC housings  |
| DOTHE01     | Spacers for camera and lens                              |
| OHEGNMAN    | Cable glands, gaskets and screws                         |
| OHEGFA04    | Front cover with screws and gaskets                      |
| OHEGFPN04   | Back cover with cable glands, gaskets and screws         |

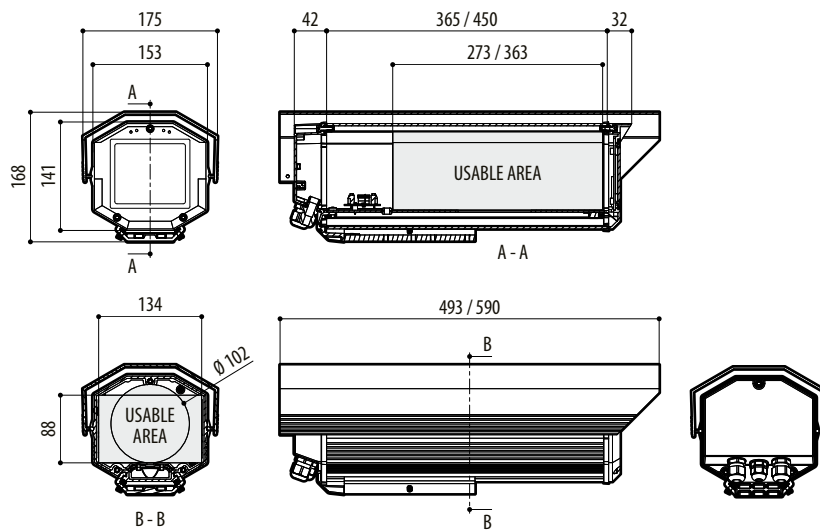
**PACKAGE**

| Model Number | Weight         | Dimensions (WxHxL)              | Master carton |
|--------------|----------------|---------------------------------|---------------|
| HEG37K1A000  | 4.1kg (9lb)    | 19.5x20x52.5cm (7.7x7.9x20.7in) | 8             |
| HEG47K1A000  | 4.7kg (10.3lb) | 19.5x20x62cm (7.7x7.9x24.4in)   | 6             |

| AVAILABLE MODELS |           |                         |                       |   |   |                             |   |                 |
|------------------|-----------|-------------------------|-----------------------|---|---|-----------------------------|---|-----------------|
| Model Number     | Sunshield | Heater<br>120Vac/230Vac | Heater<br>12Vdc/24Vac | 24Vac fan with<br>double air<br>exchange filter | PS 100/240Vac IN,<br>OUT 12Vdc, 1A for<br>fan, with double<br>air exchange filter | Double heater<br>120/230Vac | Triple fan-<br>assisted heating<br>120/230Vac | Max consumption |
| HEG37K0A000      | ✓         | -                       | -                     | -   | -   | -                           | -   | -               |
| HEG37K1A000      | ✓         | ✓                       | -                     | -   | -   | -                           | -   | 40W             |
| HEG37K1A074      | ✓         | -                       | -                     | -   | -   | ✓                           | -   | 80W             |
| HEG37K1A143      | ✓         | -                       | -                     | -   | -   | -                           | ✓   | 124W            |
| HEG37K2A000      | ✓         | -                       | ✓                     | -   | -   | -                           | -   | 20W             |
| HEG47K1A000      | ✓         | ✓                       | -                     | -   | -   | -                           | -   | 40W             |
| HEG47K1A018      | ✓         | ✓                       | -                     | -   | ✓   | -                           | -   | 44W             |
| HEG47K2A000      | ✓         | -                       | ✓                     | -   | -   | -                           | -   | 20W             |
| HEG47K2A016      | ✓         | -                       | ✓                     | ✓   | -   | -                           | -   | 24W             |

## TECHNICAL DRAWINGS

Sizes in millimeters.



HEG

