

- Indoor/Outdoor installations
- Extruded aluminium body epoxy painted
- Hinged, removable body
- Wide range of accessories available
- Weatherproof standard IP66/IP67



HEA30K

HEA30D

*Elegant design weatherproof housing, constructed from extruded die-cast aluminium, for indoor and outdoor installations.*

*Its dimensions make it ideal for containing cameras with fixed lenses and compact zooms.*

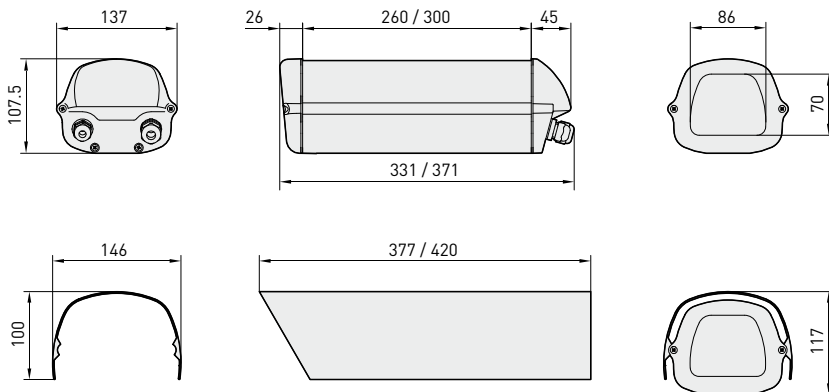
*The frontal opening system allows an easy access to the camera.*

*A tight seal is ensured by EPDM-rubber gaskets and by 2 cable glands with their specific gaskets.*

*A complete range of accessories is available including: sunshield, normal or fan-assisted heating, blower and power supply for the camera.*

*It is also possible to install a blower including an air filter, replacing one of the cable glands.*

*The accessories are supplied factory installed or as a simple upgrade kit.*



*The values are in millimeters.*



### TECHNICAL DATA

HEA							
Model	Sunshield	Heater 115/230Vac	Heater 12Vdc/24Vac	Fan assisted heater 24Vac	Blower 230Vac with thermostat and filter	Blower 24Vac with thermostat and filter	Max consumption
HEA26D0A000							
HEA26K0A000	•						
HEA26K1A000	•	•					40W
HEA26K2A000	•		•				20W
HEA30D0A000							
HEA30K0A000	•						
HEA30K1A000	•	•					40W
HEA30K2A000	•		•				20W
HEA30K1A011	•	•*			•		44W
HEA30K2A012	•		•*			•	24W
HEA30K2A015	•			•			24W

\* The housing must have the same supply as the blower.

#### GENERAL

Aluminium back and front cover plates and internal slide  
 Extruded aluminium body and external slide  
 Epoxypolyester powder painting, RAL9002 colour  
 Stainless steel external screws  
 Supplied with instruction manual, desiccant bag, accessories for camera and lens mounting

#### MECHANICAL

2xM16 cable glands  
 Glass window (WxH): 86x 70mm (3.4x2.8in)  
 Internal usable area (WxH): 84x70mm (3.3x2.7in)  
**Internal usable length without accessories**  
 HEA26 260mm (10.2in)  
 HEA30 300mm (11.8in)  
**Internal usable length with heater**  
 HEA26 180mm (7.0in)  
 HEA30 220mm (8.7in)  
**Internal usable length with heater and/or power supply**  
 HEA26 165mm (6.4in)  
 HEA30 210mm (8.3in)



**Unit Weight:**  
 HEA26K1 2.5kg / 5.5lb  
 HEA30K1 2.8kg / 6.2lb

**Package Weight:**  
 HEA26K1 2.8kg / 6.2lb  
 HEA30K1 3.0kg / 6.6lb

**Package Dimension (WxHxL):**  
 HEA26K1 15.5x14x43cm / 6.1x5.5x16.9in  
 HEA30K1 15.5x14x43cm / 6.1x5.5x16.9in

**Master Carton:**  
 HEA26K1 10 units  
 HEA30K1 10 units

#### ELECTRICAL

**Heater Ton 15°C+/-3°C (59°F +/-37°F) Toff 22°C+/-3°C (71°F +/-37°F)**

- IN 12Vdc/24Vac, consumption 20W max
- IN 115/230Vac, consumption 40W max

**Blower with thermostat air filter, Ton 35°C+/-3°C (95°F+/-37°F) Toff 20°C+/-3°C (71°F+/-37°F) and back cover**

- IN 12Vdc, consumption 4W max
- IN 24Vac, consumption 4W max
- IN 230Vac, consumption 4W max

#### Camera power supply

- IN 230Vac - OUT 12Vdc, 50/60Hz, 400mA
- IN 230Vac - OUT 24Vac, 50/60Hz, 400mA

#### ACCESSORIES

OHEAS26A000	Sunshield for HEA26
OHEAS30A000	Sunshield for HEA30
OHEH01B	Heater 12Vdc/24Vac
OHEH02B	Heater 115/230Vac
OHEAVF1A	Blower with thermostat air filter IN 12Vdc
OHEAVF2A	Blower with thermostat air filter IN 24Vac
OHEAVF3A	Blower with thermostat air filter IN 230Vac
OHEPS05	Camera power supply IN 230Vac - OUT 12Vdc, 400mA
OHEPS06	Camera power supply IN 230Vac - OUT 24Vac, 400mA
OHEGBB	Weatherproof junction box IP55
IR50	IR illuminator 50W

#### RELATED PRODUCTS

WBMA	Wall bracket with ball joint
WCM3A	Ceiling bracket with ball joint
WCM5A	Ceiling bracket with ball joint
WFWCA	Column mount with ball joint
PTH300	Pan&Tilt series
PTH900	Pan&Tilt series

#### ENVIRONMENT

Indoor / Outdoor  
 Operating temperature with heater: -20°C / +60°C (-4°F / +140°F)  
 Resistant to the salty fog until 1000 hours (according to ISO9227)

#### COMPLIANCE TO

CE according to EN61000-6-3, EN 60065, EN50130-4  
 IP66/IP67 according to EN 60529 with cable glands

#### SPARE PARTS LIST

DOTHE02	Spacers for camera and lens
OHEAMAN	Cable glands, gaskets and screws kit
OHEAFA04	Front cover with screws and gaskets
OHEAFP04	Back cover with cable glands screws and gaskets