

BRACKETS AND ADAPTERS FOR EXPLOSION PROOF PRODUCTS OF EX SERIES

EXWBJ BRACKET AND BALL JOINT FOR EXH EX-PROOF HOUSING

Solid anticorodal aluminum construction

Load rating: 35kg (77lb)

Length: 455mm (17.9in)

Unit weight EXWBJ: 6.6kg (14.5lb)

EXBJ000 BALL JOINT FOR THE COLUMN MOUNT OF EXH EX-PROOF HOUSINGS

Solid anticorodal aluminum construction

Unit weight: 2.9kg (6.4lb)

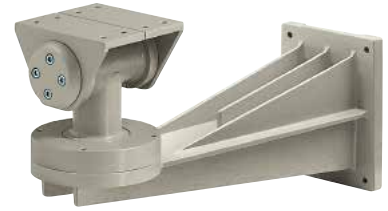
EXPTWB BRACKET FOR EXPT EX-PROOF PTZ UNIT

Solid anticorodal aluminum construction

Load rating: 100kg (220lb)

Length: 676mm (26.6in)

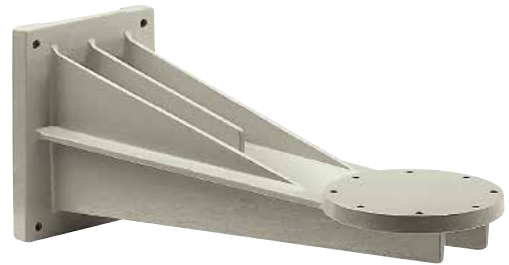
Unit weight: 11.3kg (25lb)



EXWBJ000



EXBJ000



EXPTWB000

TECHNICAL DATA**EXWBJ BRACKET AND BALL JOINT FOR EXH EX-PROOF HOUSING****PART NUMBER**

EXWBJ000	Bracket and ball joint RAL7032 for EXH series
EXBJ000	Only ball joint for EXH RAL7032 housings

PACKAGE

Model Number	Weight	Dimensions (WxHxL)	Master carton
EXWBJ	7kg (15.4lb)	27x18x49cm (10.5x7x19in)	-

EXBJ000 BALL JOINT FOR THE COLUMN MOUNT OF EXH EX-PROOF HOUSINGS**PART NUMBER**

EXBJ000	Only ball joint for EXH RAL7032 housings
---------	--

PACKAGE

Model Number	Weight	Dimensions (WxHxL)	Master carton
EXBJ000	3.2kg (7.1lb)	16x21x12cm (6.3x8.3x4.7in)	-

EXPTWB BRACKET FOR EXPT EX-PROOF PTZ UNIT**PART NUMBER**

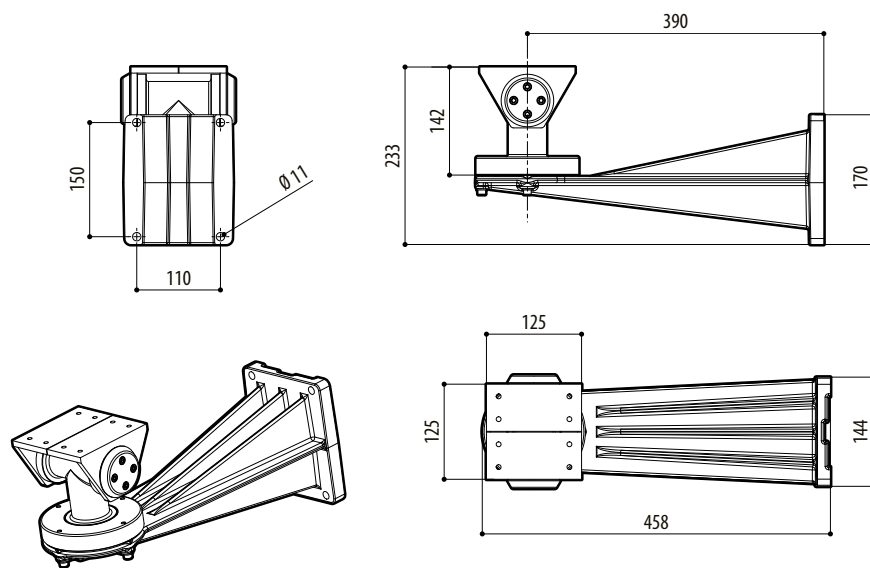
EXPTWB000	Bracket RAL7032 for EXPT series
-----------	---------------------------------

PACKAGE

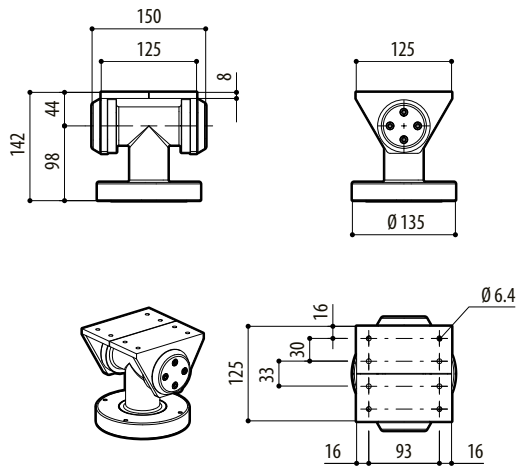
Model Number	Weight	Dimensions (WxHxL)	Master carton
EXPTWB000	12kg / 26.5lb	29x66x33cm (11.4x26x13in)	-

TECHNICAL DRAWINGS

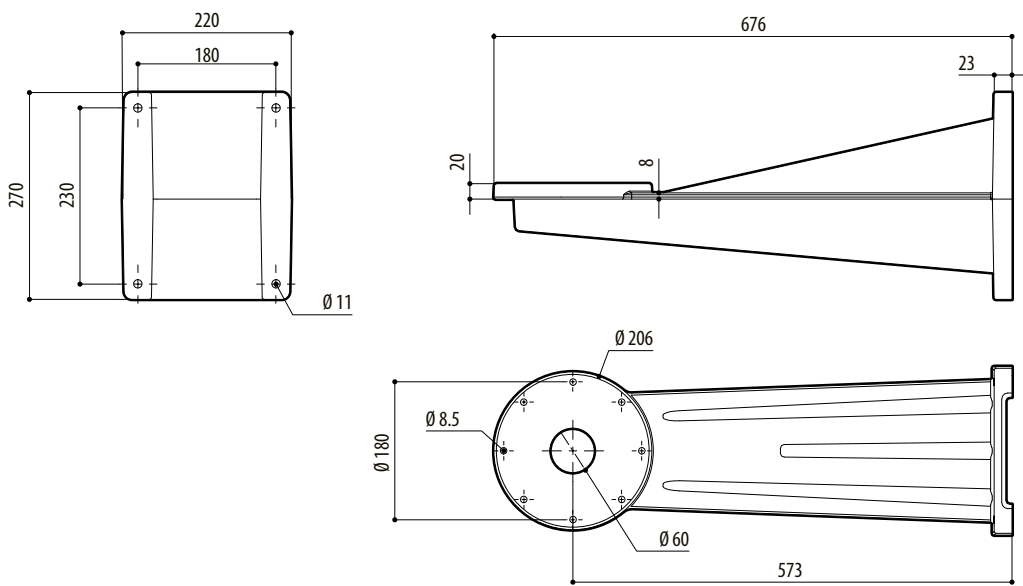
Sizes in millimeters.



EXWBJ



EXBJ000



EXPTWB

